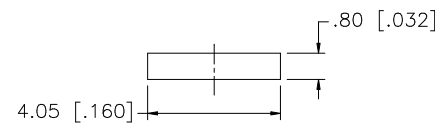
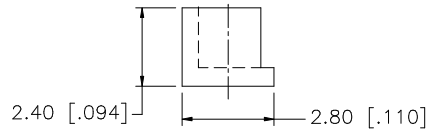
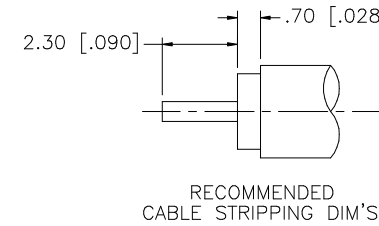
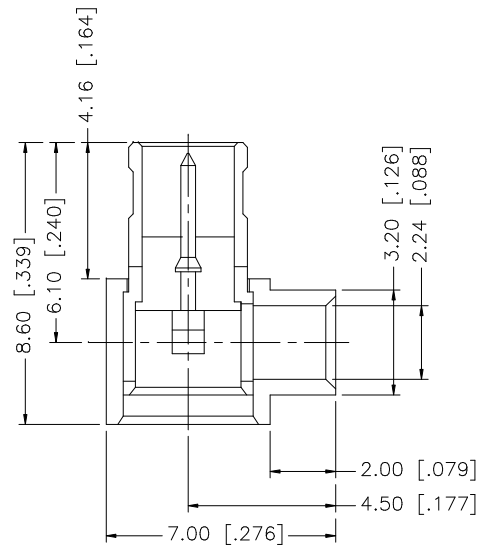
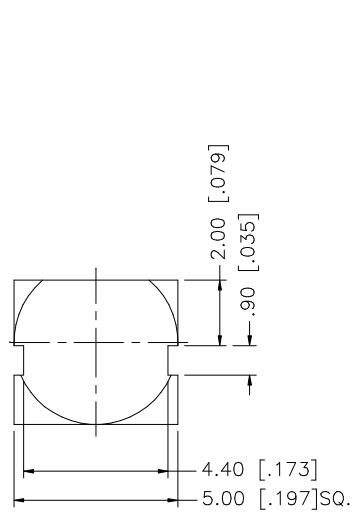


REV.	DATE	DESCRIPTION
A	03/12/03	UPDATE DRAWING FORMAT



NOTE:

- CONTACT PIN TO SOLDER

DESCRIPTION	MATERIAL	FINISH	QTY	DO NOT SCALE DRAWING	APPROVALS	DATE	<h1 style="text-align: center;">Amphenol Connex</h1>				
8					DRAWN	G.R.S.	03/12/03	MCX R/A DIRECT SOLDER PLUG (FOR .085", .086" CABLE)			
7					CHECKED						
6	COVER	BRASS	GOLD	1	ISSUED			PART DESCRIPTION			
5	INSULATOR	DELTRIN	NATURAL	1	SHEET	1 OF 1		PART NO.			
4	CONTACT PIN	BRASS	GOLD	1				252109-75			
3	INSULATOR	TEFLON	NATURAL	1				DWG. NO.			
2	BODY	BER. COPPER	GOLD	1				252109-75.DWG			
1	HOUSING	BRASS	GOLD	1				REV. A			
								SIZE A			
								SCALE NA			

UNLESS OTHERWISE SPECIFIED DIMENSIONS ARE IN MILLIMETERS. DIMENSIONS IN [] ARE IN INCHES AND FOR CUSTOMER REFERENCE ONLY.

UNLESS OTHERWISE SPECIFIED TOLERANCES FOR MILLIMETERS ARE:
0.5 - 8mm ± 0.20mm
8 - 30mm ± 0.40mm
30 - 120mm ± 0.50mm

UNLESS OTHERWISE SPECIFIED TOLERANCES FOR INCHES ARE:
.020 - .315 = ± 0.007"
.315 - 1.180 = ± 0.015"
1.180 - 4.724 = ± 0.020"

CAD FILE
C:/252/252109-75.DWG