

Customer Information Sheet

DRAWING No.: M55-70XXX42R

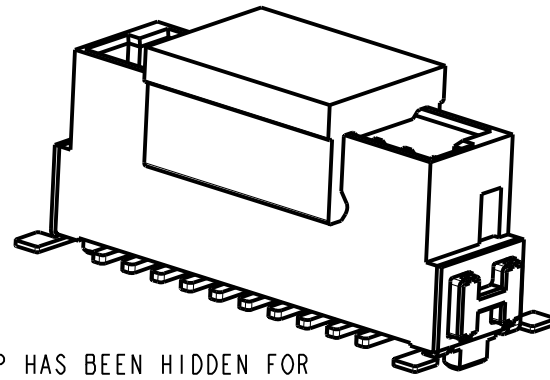
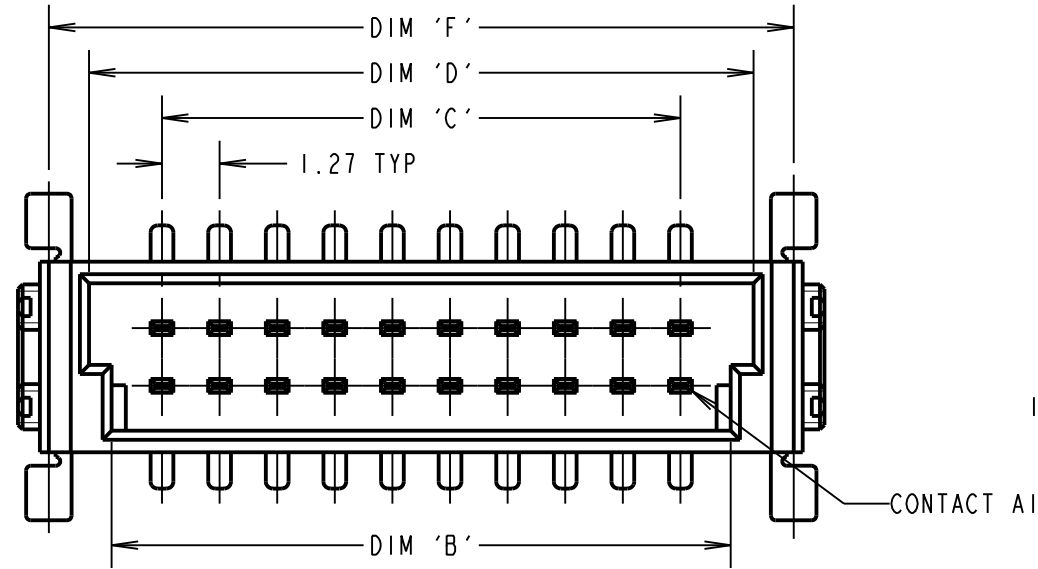
IF IN DOUBT - ASK

©

NOT TO SCALE

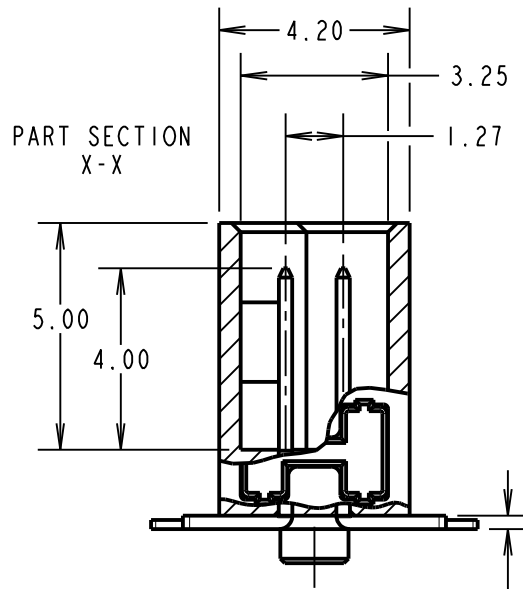
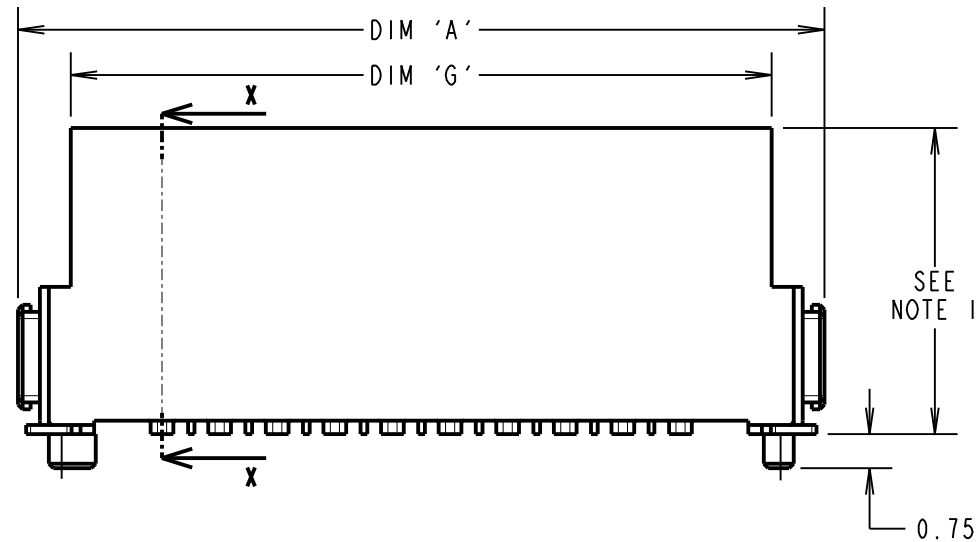
THIRD ANGLE PROJECTION

ALL DIMENSIONS IN mm



CAP HAS BEEN HIDDEN FOR ILLUSTRATION PURPOSES ONLY. SEE NOTE 1

PART No.	DIM 'A'	DIM 'B'	DIM 'C'	DIM 'D'	DIM 'E'	DIM 'F'	DIM 'G'
M55-70X1242R	12.70	8.57	6.35	9.57	10.77	11.34	10.37
M55-70X1642R	15.24	11.11	8.89	12.11	13.31	13.88	12.91
M55-70X2042R	17.78	13.65	11.43	14.65	15.85	16.42	15.45
M55-70X2642R	21.59	17.46	15.24	18.46	19.66	20.23	19.26
M55-70X3242R	25.40	21.27	19.05	22.27	23.47	24.04	23.07
M55-70X4042R	30.48	26.35	24.13	27.35	28.55	29.12	28.15
M55-70X5042R	36.83	32.70	30.48	33.70	34.90	35.47	34.50
M55-70X6842R	48.26	44.13	41.91	45.13	46.33	46.90	45.93
M55-70X8042R	55.88	51.75	49.53	52.75	53.95	54.52	53.55



ORDER CODE:
M55-70XXX42R

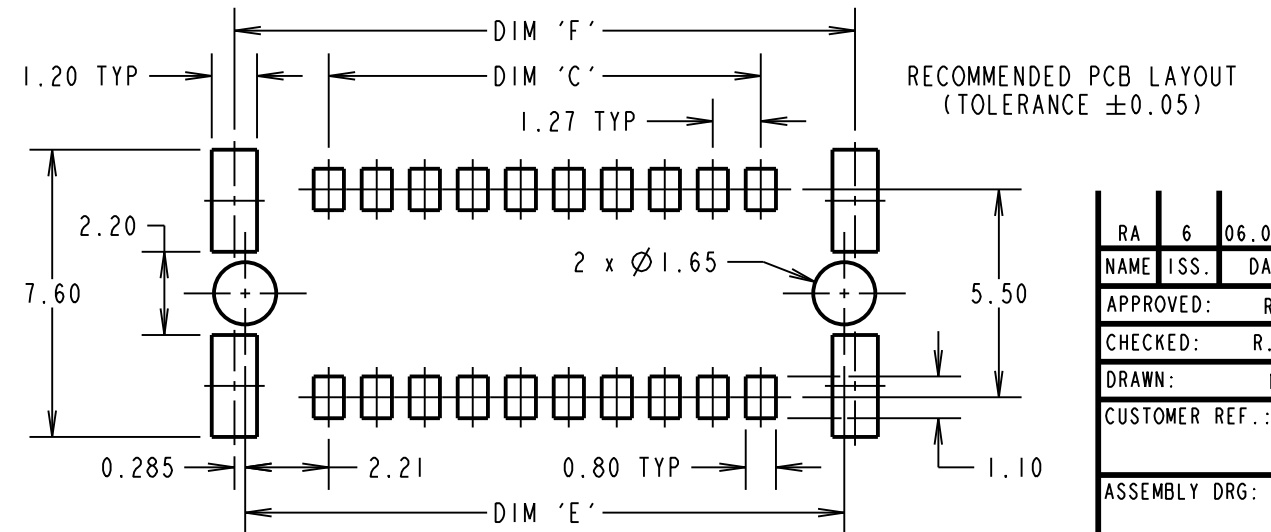
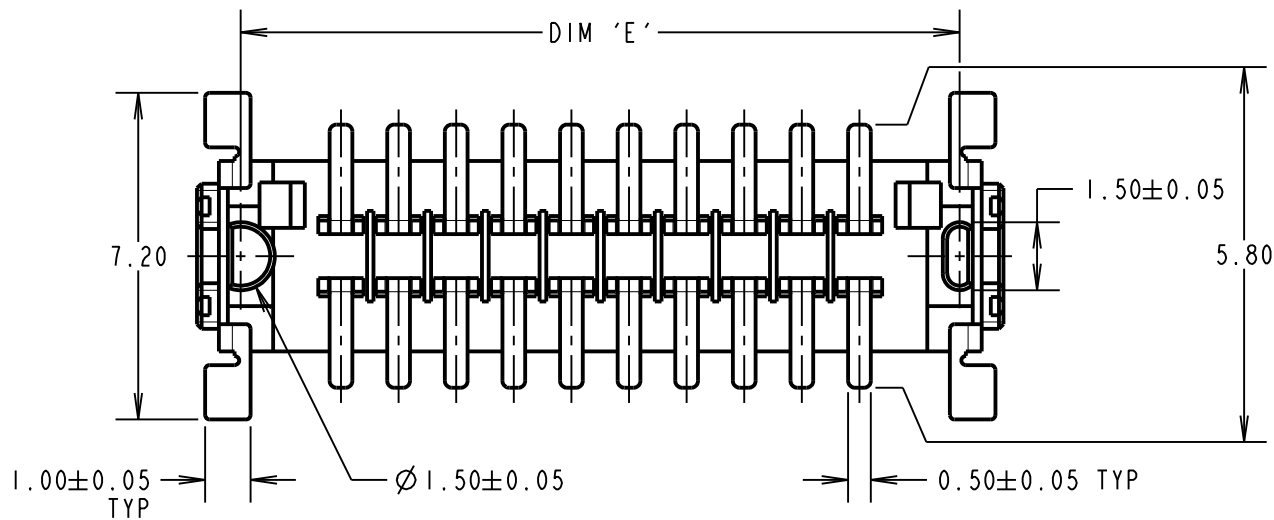
CONNECTOR HEIGHT:
0 = 6.75mm
1 = 8.25mm
2 = 9.85mm

TOTAL No. OF CONTACTS:
12, 16, 20, 26,
32, 40, 50, 68, 80

SPECIFICATIONS:
MATERIAL:
MOULDING & CAP = HIGH TEMP, LCP, UL94V-0
CONTACT = PHOSPHOR BRONZE
RETAINING STRAP = BRASS
PLATING:
CONTACT = 0.025µm MIN GOLD OVER
2.03µm MIN NICKEL ON CONTACT AREA,
2.54µm MIN TIN OVER
1.27µm MIN NICKEL ON TAILS
RETAINING STRAP = 2.45µm MIN TIN OVER
1.01µm MIN NICKEL

ELECTRICAL:
CURRENT RATING = 1.2A MAX
CONTACT RESISTANCE = 25mΩ MAX
INSULATION RESISTANCE = 10GΩ MIN
VOLTAGE RATING = 100V AC
VOLTAGE PROOF = 500V AC FOR 1 MIN
MECHANICAL:
DURABILITY = 500 CYCLES
ENVIRONMENTAL:
TEMPERATURE RANGE = -55°C TO +125°C

0.30±0.02	0.10	12 - 50 CONTACTS
	0.15	68 - 80 CONTACTS



RA	6	06.03.20	21558
NAME	ISS.	DATE	C/NOTE
APPROVED:		R.ALEXANDER	
CHECKED:		R.PORTLOCK	
DRAWN:		M.PERREN	
CUSTOMER REF.:			
ASSEMBLY DRG:			

- NOTES:
- SEE ORDER CODE AND SHEET 5 FOR CONNECTOR HEIGHT AND CAP DETAILS.
 - FOR TAPE AND REEL DETAILS, SEE SHEET 6.
 - ALL TOLERANCES ARE ±0.20, UNLESS OTHERWISE STATED.
 - COMPLETE SPECIFICATION PLEASE SEE COMPONENT SPECIFICATION C047XX (LATEST ISSUE).

HARWIN

www.harwin.com
technical@harwin.com

THIS DRAWING AND ANY INFORMATION OR DESCRIPTIVE MATTER SET OUT HEREON ARE CONFIDENTIAL AND COPYRIGHT PROPERTY OF THE HARWIN GROUP AND MUST NOT BE DISCLOSED, LOANED, COPIED OR USED FOR MANUFACTURING, TENDERING OR FOR ANY OTHER PURPOSE WITHOUT THEIR WRITTEN PERMISSION.

TOLERANCES
X = ±1mm
X.X = ±0.50mm
X.XX = ±0.20mm
X.XXX = ±0.01mm
ANGLES = ±5°
UNLESS STATED

MATERIAL:
SEE ABOVE
FINISH: SEE ABOVE
S/AREA: mm²

TITLE:
1.27mm PITCH VERTICAL MALE CONNECTOR
DRAWING NUMBER:
M55-70XXX42R
SHT 4 OF 6

Customer Information Sheet

DRAWING No.: M55-70XXX42R

IF IN DOUBT - ASK

©

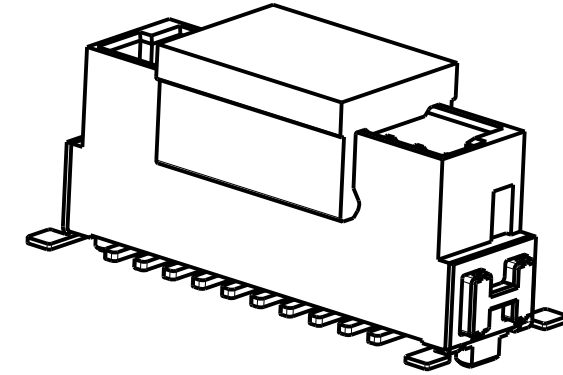
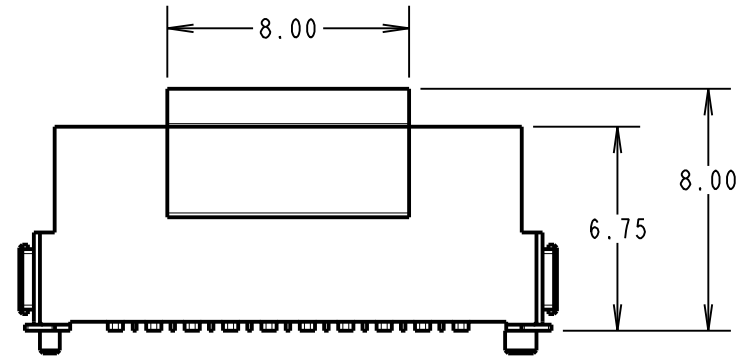
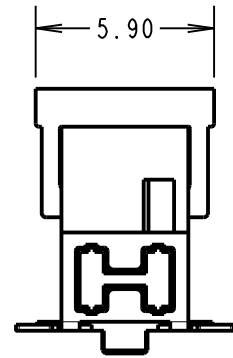
NOT TO SCALE

THIRD ANGLE PROJECTION

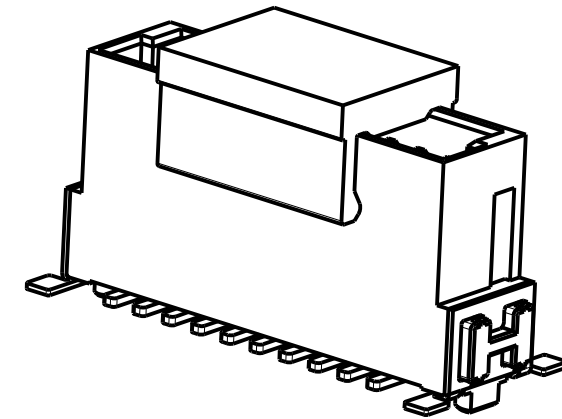
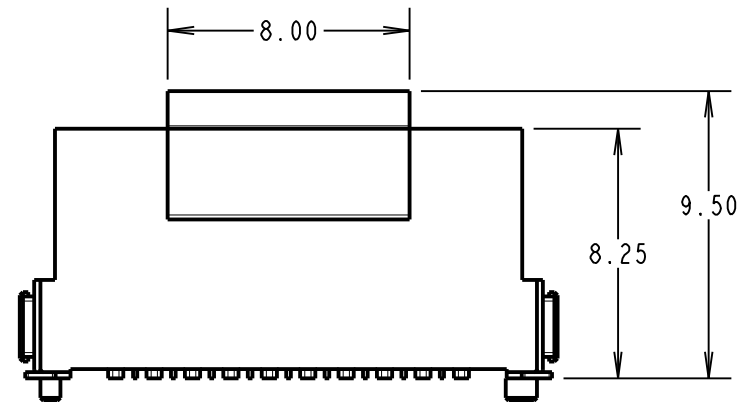
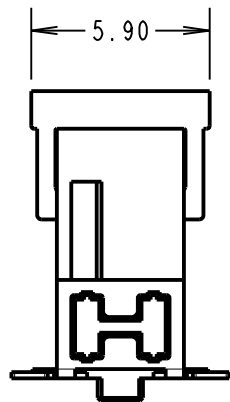
ALL DIMENSIONS IN mm

CONNECTOR HEIGHT DETAILS

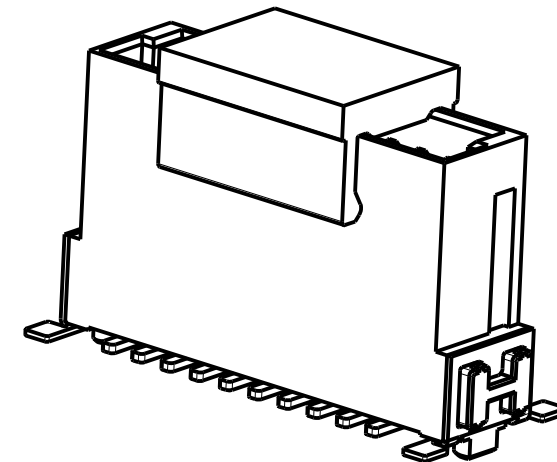
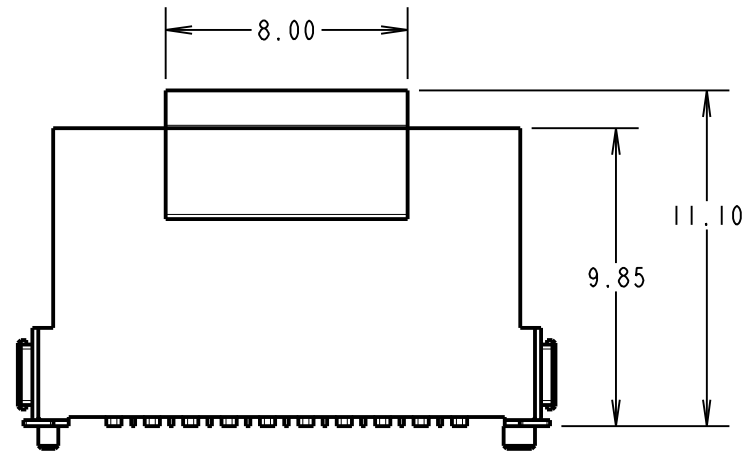
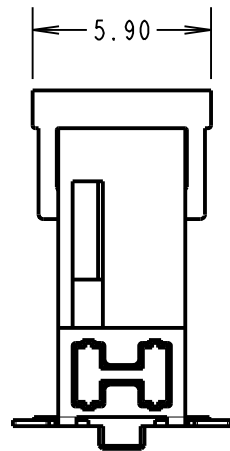
M55-700XX42R



M55-701XX42R



M55-702XX42R



RA	6	06.03.20	21558
NAME	ISS.	DATE	C/NOTE
APPROVED:		R.ALEXANDER	
CHECKED:		R.PORTLOCK	
DRAWN:		M.PERREN	
CUSTOMER REF.:			
ASSEMBLY DRG:			

NOTES:
1. ALL TOLERANCES ARE ± 0.20 , UNLESS OTHERWISE STATED.

HARWIN

www.harwin.com
technical@harwin.com

THIS DRAWING AND ANY INFORMATION OR DESCRIPTIVE MATTER SET OUT HEREON ARE CONFIDENTIAL AND COPYRIGHT PROPERTY OF THE HARWIN GROUP AND MUST NOT BE DISCLOSED, LOANED, COPIED OR USED FOR MANUFACTURING, TENDERING OR FOR ANY OTHER PURPOSE WITHOUT THEIR WRITTEN PERMISSION.

TOLERANCES
X = ± 1 mm
X.X = ± 0.50 mm
X.XX = ± 0.20 mm
X.XXX = ± 0.01 mm
ANGLES = $\pm 5^\circ$
UNLESS STATED

MATERIAL:
SEE SHEET 4
FINISH: SEE SHEET 4
S/AREA: mm²

TITLE:
1.27mm PITCH VERTICAL MALE CONNECTOR

DRAWING NUMBER:
M55-70XXX42R

SHT
5
OF
6

Customer Information Sheet

DRAWING No.: M55-70XXX42R

IF IN DOUBT - ASK

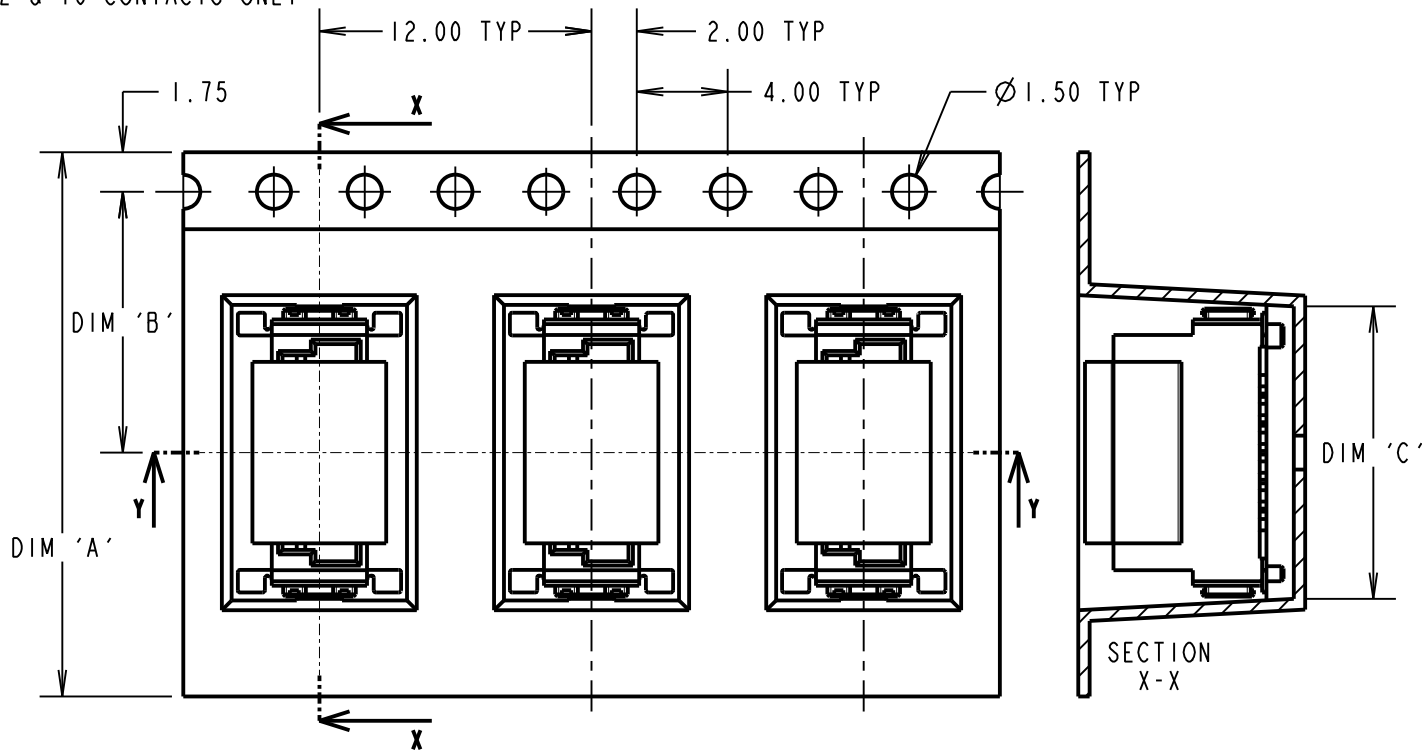
©

NOT TO SCALE

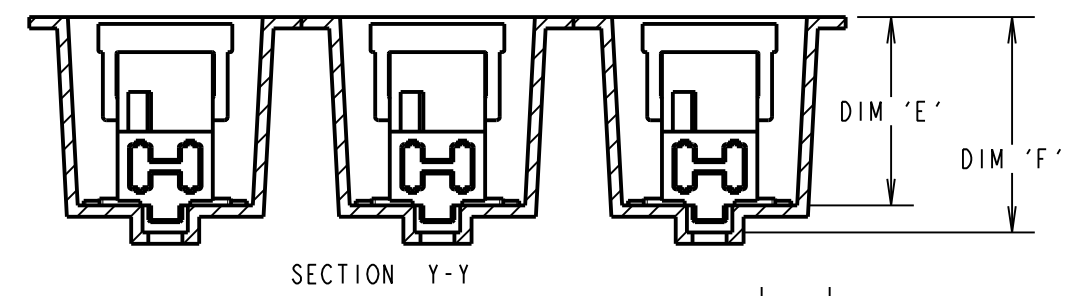
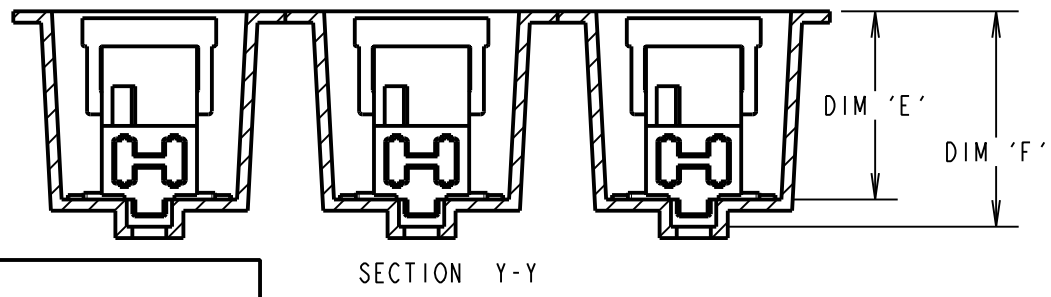
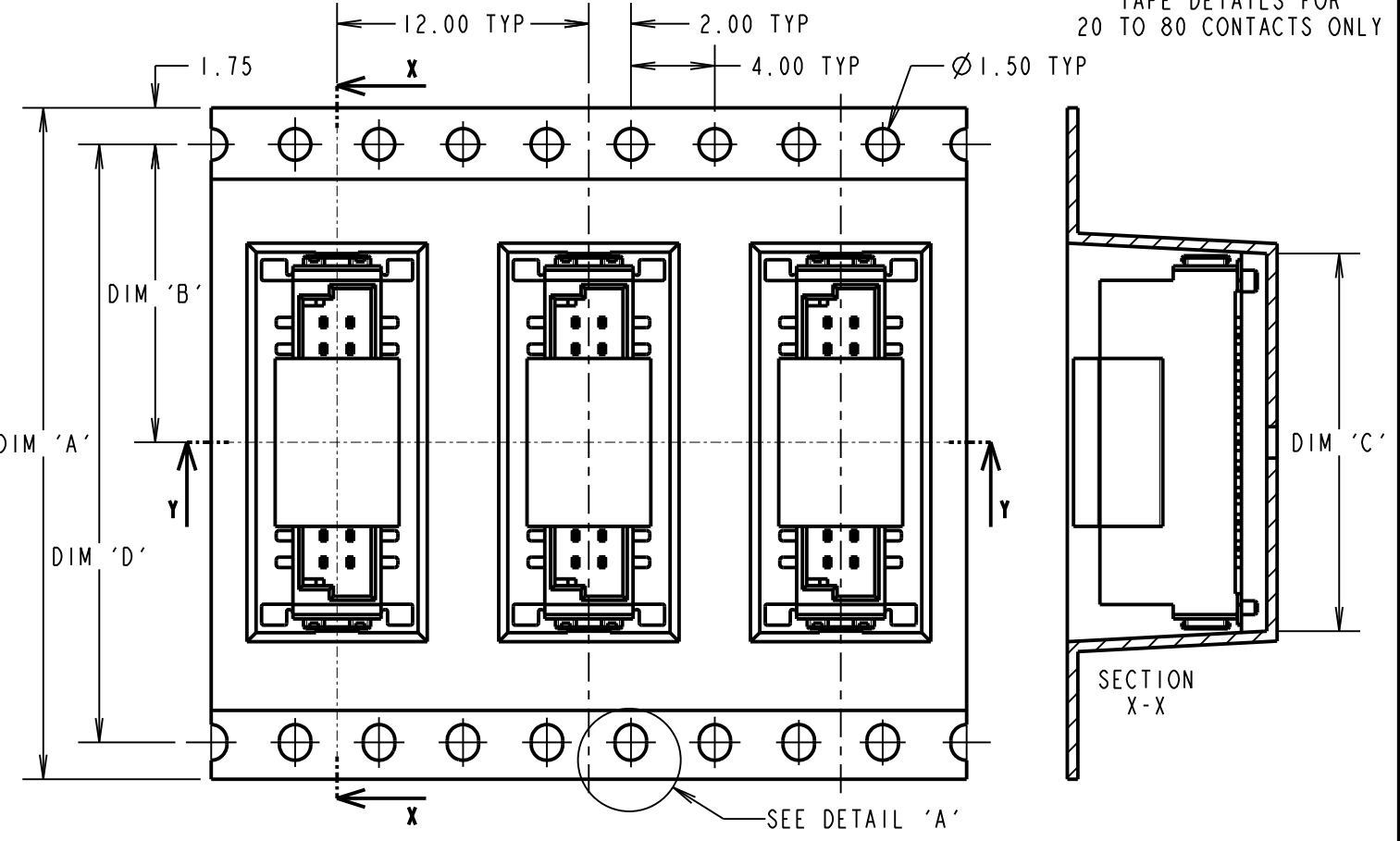
THIRD ANGLE PROJECTION

ALL DIMENSIONS IN mm

TAPE DETAILS FOR
12 & 16 CONTACTS ONLY



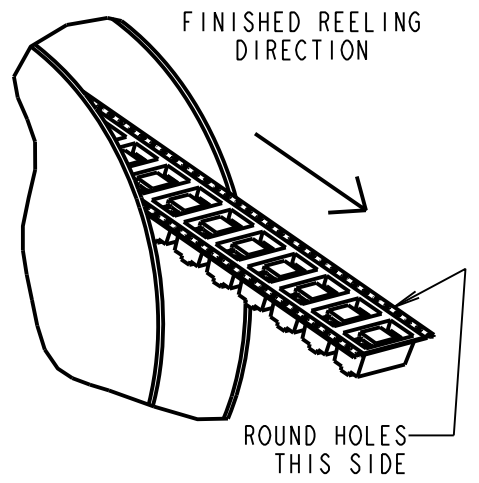
TAPE DETAILS FOR
20 TO 80 CONTACTS ONLY



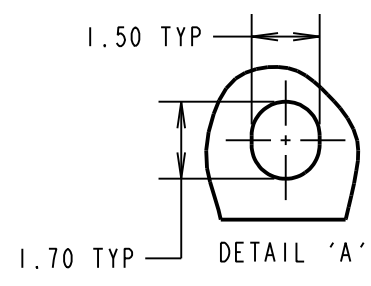
ORDER CODE:
M55-70XXX42R

CONNECTOR HEIGHT:
0 = 6.75mm
1 = 8.25mm
2 = 9.85mm

TOTAL No. OF CONTACTS:
12, 16, 20, 26,
32, 40, 50, 68, 80



PART No.	DIMENSION			
	DIM 'A' ±0.30	DIM 'B'	DIM 'C' ±0.15	DIM 'D'
M55-70X1242R	24.00	11.50	12.90	N/A
M55-70X1642R	32.00	14.20	18.00	28.40
M55-70X2042R	44.00	20.20	21.79	40.40
M55-70X2642R	56.00	26.20	37.03	52.40
M55-70X3242R	72.00	34.20	48.46	68.40
M55-70X4042R			56.08	



PART No.	DIMENSION		PACK QTY
	DIM 'E'	DIM 'F'	
M55-700XX42R	8.3	9.5	500
M55-701XX42R	9.8	11.0	450
M55-702XX42R	11.4	12.6	300

RA	6	06.03.20	21558
NAME	ISS.	DATE	C/NOTE
APPROVED:		R.ALEXANDER	
CHECKED:		R.PORTLOCK	
DRAWN:		M.PERREN	
CUSTOMER REF.:			
ASSEMBLY DRG:			

NOTES:
1. PRODUCT IS TAPE AND REELED IN GENERAL ACCORDANCE WITH EIA-481 (ELECTRONIC INDUSTRIES ASSOCIATION).
2. FOR CONNECTOR DETAILS, SEE SHEET 4 & 5.

HARWIN

www.harwin.com
technical@harwin.com

THIS DRAWING AND ANY INFORMATION OR DESCRIPTIVE MATTER SET OUT HEREON ARE CONFIDENTIAL AND COPYRIGHT PROPERTY OF THE HARWIN GROUP AND MUST NOT BE DISCLOSED, LOANED, COPIED OR USED FOR MANUFACTURING, TENDERING OR FOR ANY OTHER PURPOSE WITHOUT THEIR WRITTEN PERMISSION.

TOLERANCES
X. = ±1mm
X.X = ±0.50mm
X.XX = ±0.20mm
X.XXX = ±0.01mm
ANGLES = ±5°
UNLESS STATED

MATERIAL:
SEE SHEET 4
FINISH: SEE SHEET 4
S/AREA: mm²

TITLE:
1.27mm PITCH VERTICAL MALE CONNECTOR
DRAWING NUMBER:
M55-70XXX42R