

5

4

3

2

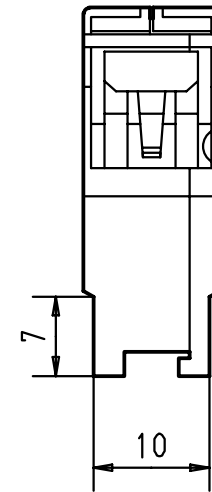
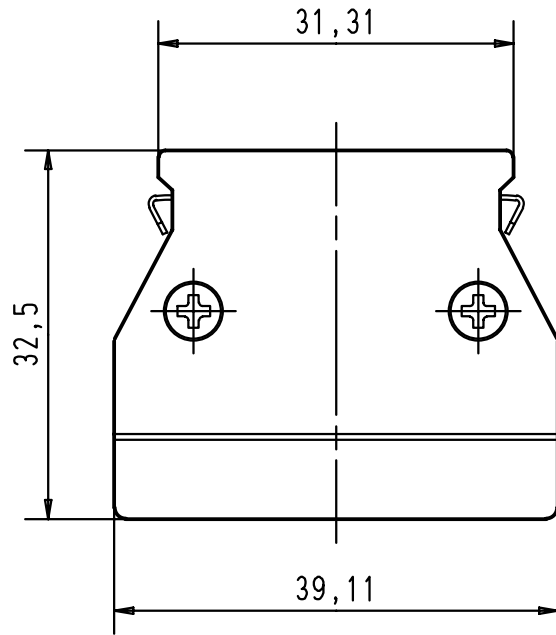
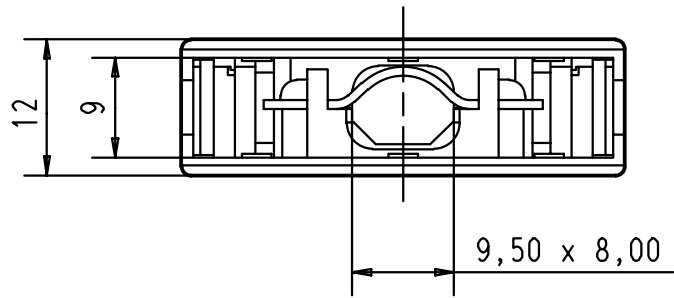
1

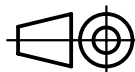

D

C

B

A



				Detail.	21 JUN 01	S G	 All Dim. in mm Orig. Size DIN A 4	har.mik® Metal hood 36 poles standard cable entry	Maßstab/ Scale	
				Insp.						1,5:1
				Stand.						
29686	21 JUN 01	S G	HARTING EURL				TB 60 03 036 0155	Blatt/ Page		
Mod.	Dat.	Name	F-95972 Paris				Sub.	1 / 1		