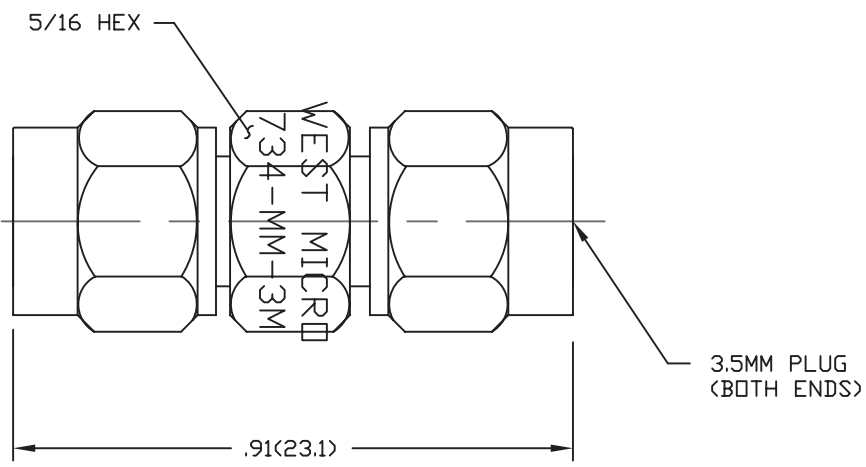



MODEL NUMBER  
ADT-2734-MM-3MM-02

- NOTES:
- 1.0 MATERIALS:
    - 1.1 HOUSING & NUTS: STAINLESS STEEL PER ASTM-A582, TYPE 303.
    - 1.2 CENTER CONTACT: BERYLLIUM COPPER ROD ALLOY C172, PER ASTM-B196.
    - 1.3 DIELECTRIC: PTFE FLUOROCARBON PER ASTM-D1457.
  - 2.0 PLATING:
    - 2.1 HOUSING & NUTS: PASSIVATED PER MIL-F-14072 AND QQ-P-35
    - 2.2 CENTER CONTACT: GOLD PER MIL-G-45204, TYPE II, CLASS 2.
  - 3.0 ELECTRICAL SPECIFICATIONS:
    - 3.1 FREQUENCY RANGE: DC to 26.5 GHz
    - 3.2 VSWR (MAX.):
      - DC to 20 GHz: 1.10:1
      - 20 to 26.5 GHz: 1.15:1
  - 4.0 MARKING: MARK UNIT AS SHOWN (REF: INK-06088-27-03)
  - 5.0 DIMENSIONS IN PARENTHESIS ARE IN MILLIMETERS.



DWG NO. WAS: 05516-01-00

REV.	DESCRIPTION	DATE
-	RELEASED	8/29/84
A	ECR 3701	7/2/85
B	ECR 6545	7/31/88
C	REDRAW ON CAD	11/20/92

<b>NOTICE:</b> The information contained in this drawing is proprietary and must not be used without the permission of Cinch Connectivity Solutions.  <b>UNLESS OTHERWISE NOTED DIMENSIONS ARE IN INCHES AND TOLERANCES ARE:</b> 3 PLACE DECIMALS ±.005 2 PLACE DECIMALS ±.02 FRACTIONS ±1/64 PARALLELITY: T.I.R. _____ FLATNESS: T.I.R. _____ CONCENTRICITY: T.I.R. _____ ANGLES AND PERPENDICULARITY: ±1'	CASE CODE <b>34078</b>	<b>MIDWEST MICROWAVE</b>	
		TITLE ADAPTER - 3.5MM PLUG TO 3.5MM PLUG OUTLINE DRAWING	
DRAWN/DATE A.BEATTY 11/20/92	ENG./DATE A.OSGA 11/20/92	DRAWING NUMBER ADT-2734-MM-3MM-02-01	REV. C
CHECKED/DATE M.HOLLMAN 11/20/92	APPROVED/DATE	SCALE: 5=1	SHEET 1 of 1