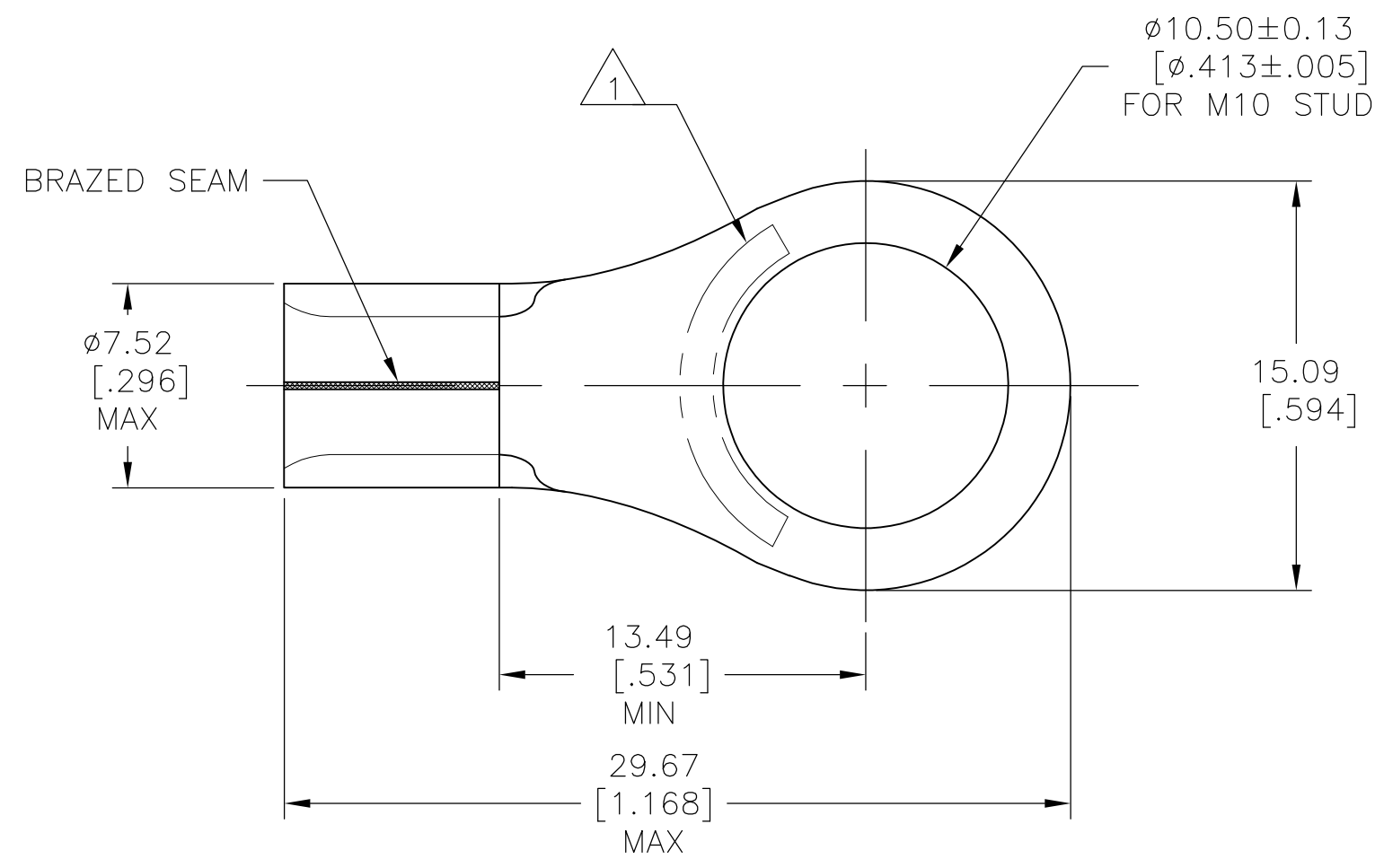


THIS DRAWING IS UNPUBLISHED. RELEASED FOR PUBLICATION
 © COPYRIGHT - By - ALL RIGHTS RESERVED.

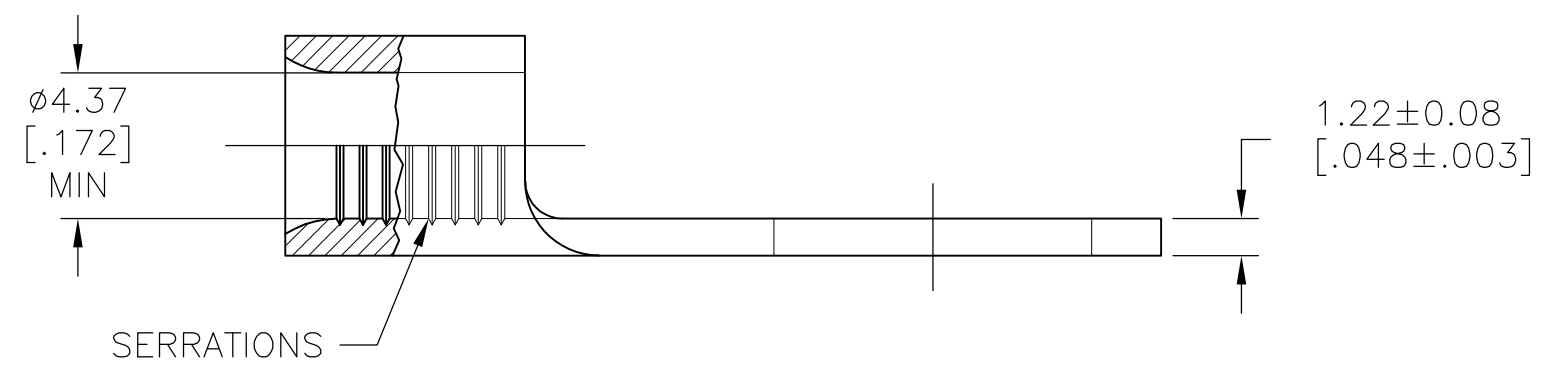
LOC	DIST	REVISIONS					
		P	LTR	DESCRIPTION	DATE	DWN	APVD
-	-		A2	REVISED PER ECO-12-013449	23JUL12	KH	DR



AMP
WIRE RANGE

8 AWG
SOLID OR STRANDED

- 1 STAMP "AMP 8*", APPROX AS SHOWN
- 2 MATERIAL: COPPER PER ASTM B-152 ANNEALED
- 3 FINISH: NICKEL PLATE 0.0003 [.0076] MIN EXT THK PER SAE AMS QQ-N-290



500	LOOSE PIECE	134962-1
QTY	PACKAGE TYPE	PART NO.

CUSTOMER SERVICE SYSTEMS		MAX RECOMMENDED OPERATING TEMPERATURE: 343°C[650°F] MAX	THIS DRAWING IS A CONTROLLED DOCUMENT.		DWN RAGHAVENDRA 200CT10	STE TE Connectivity			
FOR ADDITIONAL PRODUCT INFORMATION OR COPIES OF DRAWINGS AND TECHNICAL DOCUMENTS	PRODUCT INFORMATION CENTER 1-800-522-6752	VOLTAGE RATING: N/A	DIMENSIONS: mm [INCHES]	TOLERANCES UNLESS OTHERWISE SPECIFIED:	CHK ROHDE DANIEL 200CT10				NAME
FOR APPLICATION TOOLING INFORMATION	TOOLING ASSISTANCE CENTER 1-800-722-1111	CIRCULAR MIL AREA: 6.64-10.5mm² [13,100-20,800] SOLID OR STRANDED		0 PLC ± - 1 PLC ± - 2 PLC ± - 3 PLC ± 0.20 [.008] 4 PLC ± - ANGLES ± -	APVD ROHDE DANIEL 200CT10	TERMINAL, RING TONGUE SOLISTRAND STRATOTHERM 8 AWG, M10			
FOR ORDER ENTRY	1-800-526-5142	THIS DRAWING IS A CONTROLLED DOCUMENT FOR AMP INCORPORATED. IT IS SUBJECT TO CHANGE AND THE CONTROLLING ENGINEERING ORGANIZATION SHOULD BE CONTACTED FOR THE LATEST REVISION.	MATERIAL	FINISH	PRODUCT SPEC	SIZE	CAGE CODE	DRAWING NO	RESTRICTED TO
			2	3	APPLICATION SPEC	A3	00779	C-134962	-
					WEIGHT	CUSTOMER DRAWING		SCALE	SHEET
					-	4:1		1 OF 1	REV A2