

PRODUCT NUMBER

10123912-XXXLF

MATERIAL

HOUSING : THERMO PLASTIC UL94V-0 BLACK  
 CONTACT : COPPER ALLOY  
 PEG : COPPER ALLOY

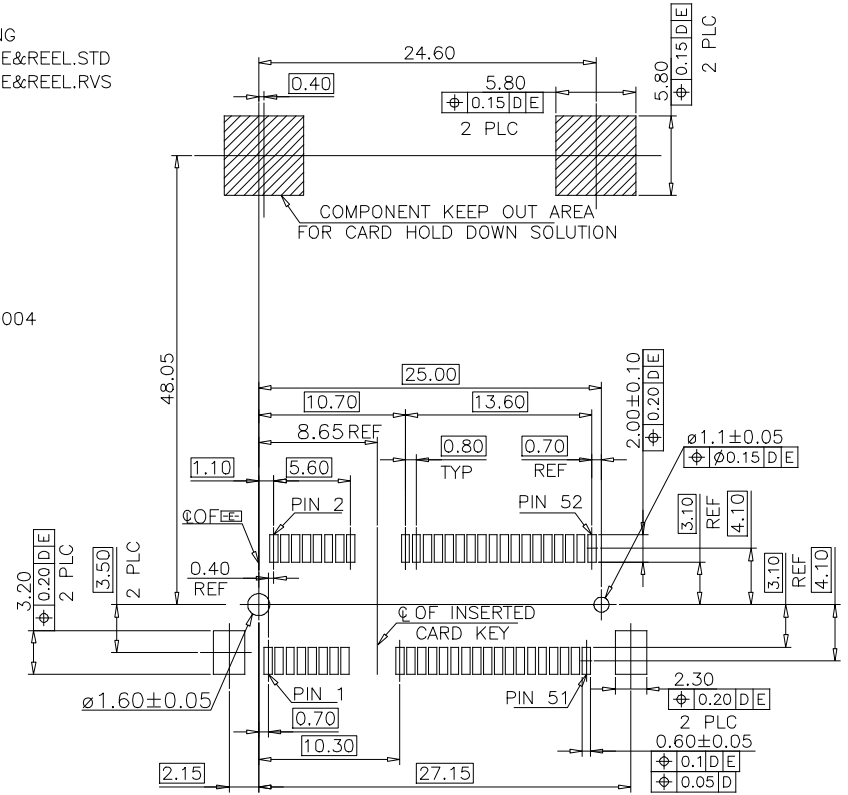
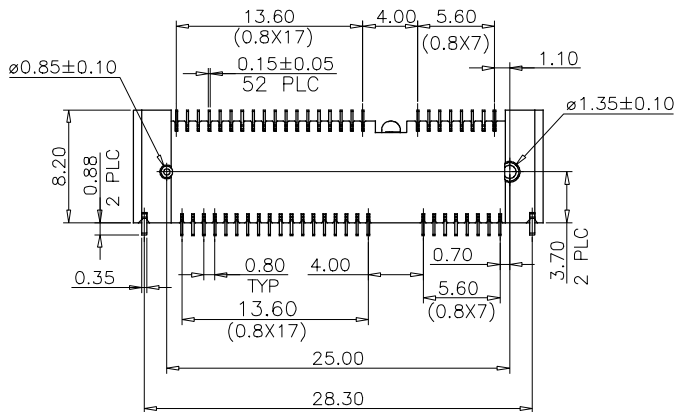
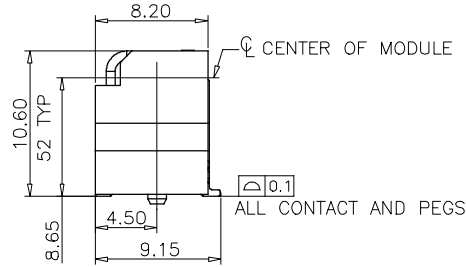
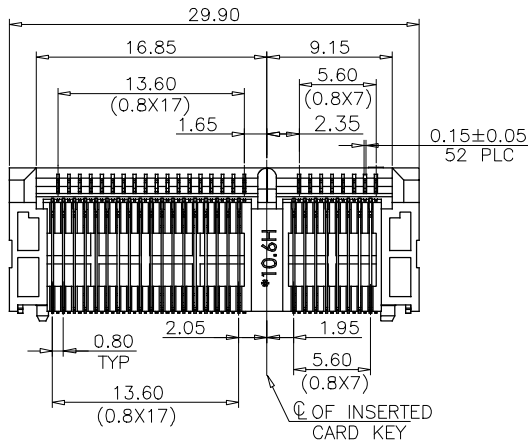
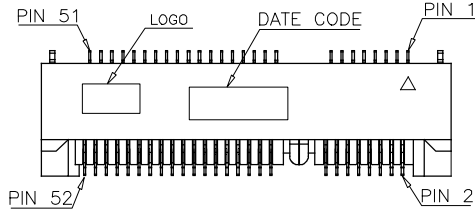
PART NO. SCHEMATIC: 10123912 - XX X LF

TERMINAL PLATING \_\_\_\_\_ PACKING \_\_\_\_\_  
 00: NO PLATING 0: TAPE&REEL.STD  
 G2: GOLD FLASH 1~3μ<sup>m</sup> OVER Ni 50~100μ<sup>m</sup> 1: TAPE&REEL.RVS  
 A2: CONTACT AREA AND SOLDER AREA :  
 SELECTION GOLD 1μ<sup>m</sup> OVER Ni 50~100μ<sup>m</sup>  
 A7: CONTACT AND SOLDER TAIL AREA GOLD PLATING  
 10μ<sup>m</sup> MIN OVER Ni 50~100μ<sup>m</sup>  
 G7: GOLD FLASH 10μ<sup>m</sup> OVER Ni 50~100μ<sup>m</sup> MIN

PRODUCT SPEC.: GS-12-1111  
 PACKAGE SPEC.: GS-14-2284

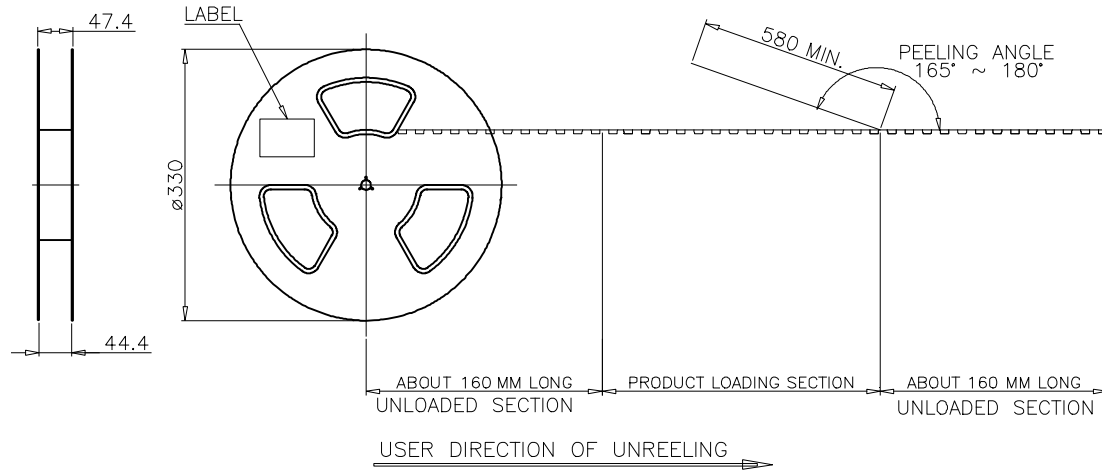
THIS PRODUCT MEETS EUROPEAN UNION DIRECTIVES AND  
 OTHER COUNTRY REGULATIONS AS DESCRIBED IN GS-47-0004

THE HOUSING WILL WITHSTAND EXPOSURE TO 260°C PEAK  
 TEMPERATURE FOR 10 SECONDS IN A CONVECTION, IR OR  
 VAPER PHASE REFLOW OVEN.



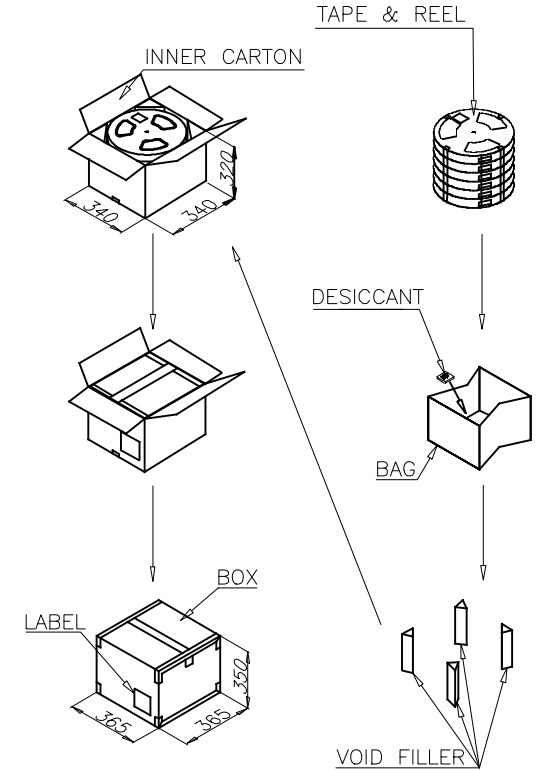
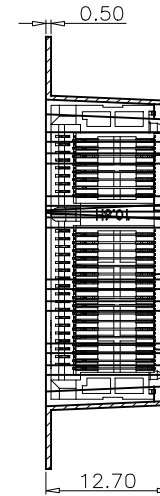
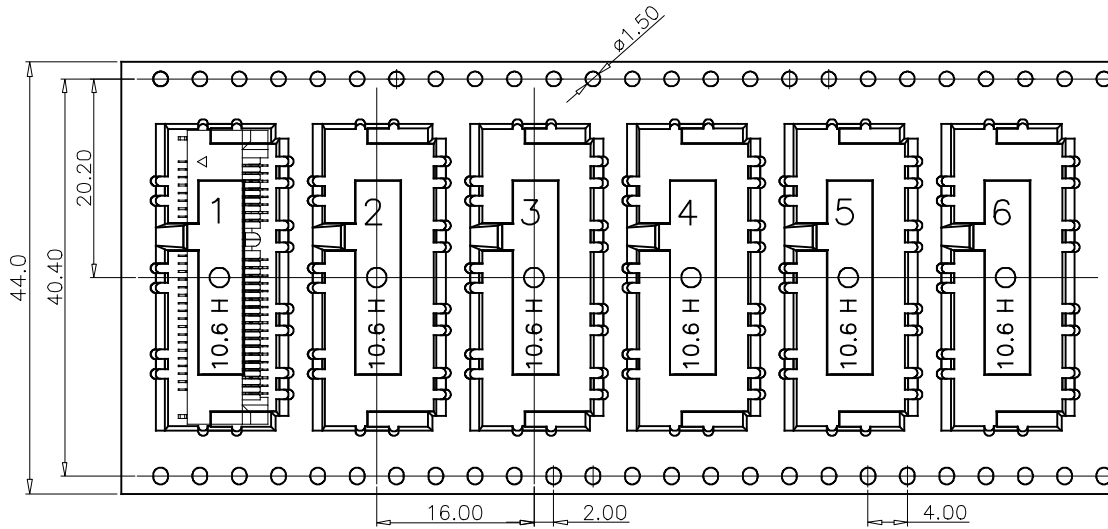
[-D] IS THE TOP SURFACE OF PCB.  
 RECOMMENDED P.C.BOARD PATTERN LAYOUT

mat'l. code		surface		tolerance ASME Y14.5		projection		product family	
ltr	ecn no	dr	date	tolerances unless otherwise specified		MM		title	
A		TAI	2013-02-07	angles	0°	X.X ± 0.30		0.80MM PITCH MINI PCI EXPRESS	
				15°	0°	X.XX ± 0.20		HIGH=10.6mm 52 PIN CONNECTOR	
				X*4°	0°	X.XXX ± 0.15		scale	
				dr	KENNY TAI	2013-02-07	FCI		dwg no
				enr	KENNY TAI	2013-02-07	sheet 1 of 3		size
				chr	KENNY TAI	2013-02-07	10123912		A4
				appd	PM ZHENG	2013-02-18	type		CUSTOMER Drawing
sheet index	revision sheet	A	A	A					
		1	2	3					

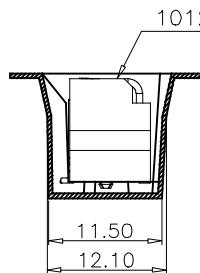


NOTES:

1. MATERIAL:  
 BOX: FIBREBOARD, CORRUGATED, DOUBLE WALL.  
 COVER TAPE: PET, 120C° HEAT-RESISTANT TEMPERATURE, TRANSPARENT COLOR.  
 CARRIER TAPE: POLYSTYRENES, 120C° HEAT-RESISTANT TEMPERATURE, TRANSPARENT COLOR.  
 REEL: HIPS, 70C° HEAT-RESISTANT TEMPERATURE, BLUE COLOR.  
 BAG: POLYETHYLENES, 100C° HEAT-RESISTANT TEMPERATURE, TRANSPARENT COLOR.
2. EACH BAG SHALL BE INCLUDED DESICCANT.
3. PEELING STRENGTH: 0.1 ~ 1.3 N (10 ~ 130 GRAMS).
4. PEELING SPEED: 300 mm/min.

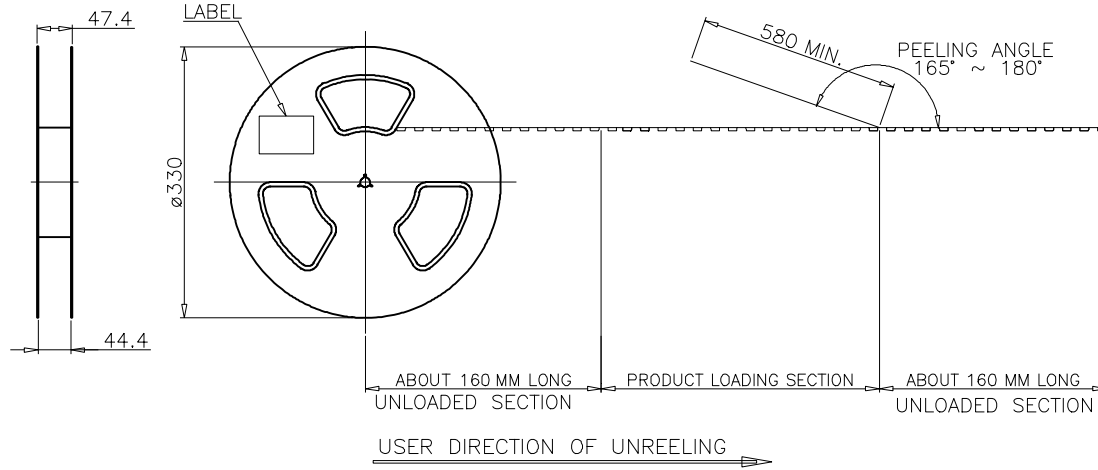


STANDARD TAPE & REEL  
(FOR -XXOLF)



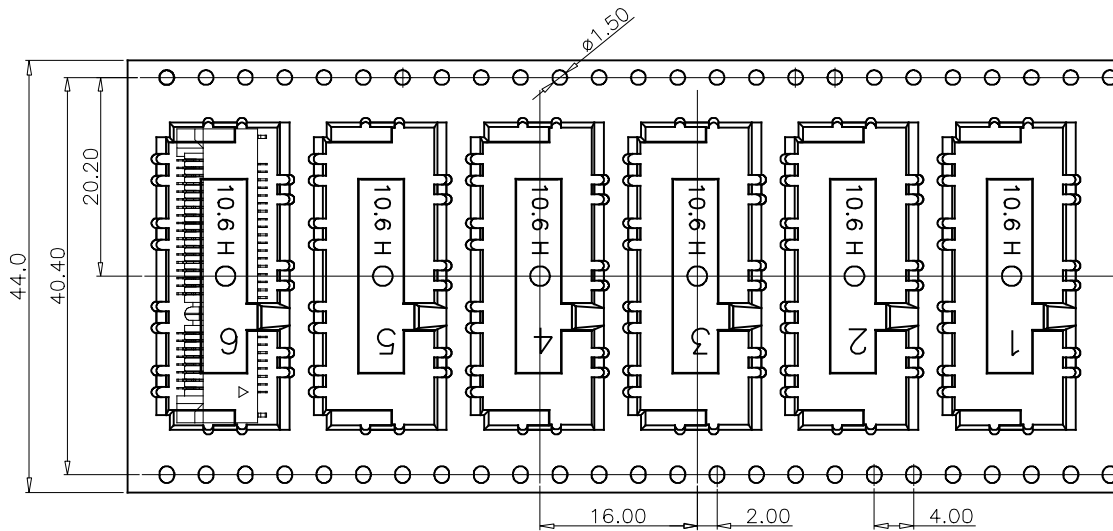
10.009KG	5.905KG	300	6	1800
GROSS WEIGHT	NET WEIGHT	PCS/ REEL	REEL/ BOX	PCS/ BOX

mat'l. code		surface		tolerance ASME Y14.5		projection		product family	
ltr	ecn no	dr	date	tolerances unless otherwise specified		MM		title	
A		TAI	2013-02-07	angles	X.X ± 0.30	← MM →		0.80MM PITCH MINI PCI EXPRESS HIGH=10.6mm 52 PIN CONNECTOR	
				flat	X.XX ± 0.20	scale		dwg no	
				X°±4'	X.XXX ± 0.15			sheet 2 of 3 size	
		dr	KENNY TAI	2013-02-07				10123912	
		enr	KENNY TAI	2013-02-07				A4	
		chr	KENNY TAI	2013-02-07					
		appd	PM ZHENG	2013-02-18					
sheet index	revision sheet	A	A	A	A			type	
		1	2	3				CUSTOMER Drawing	

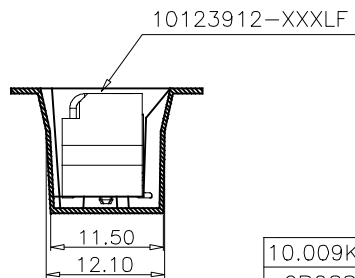


NOTES:

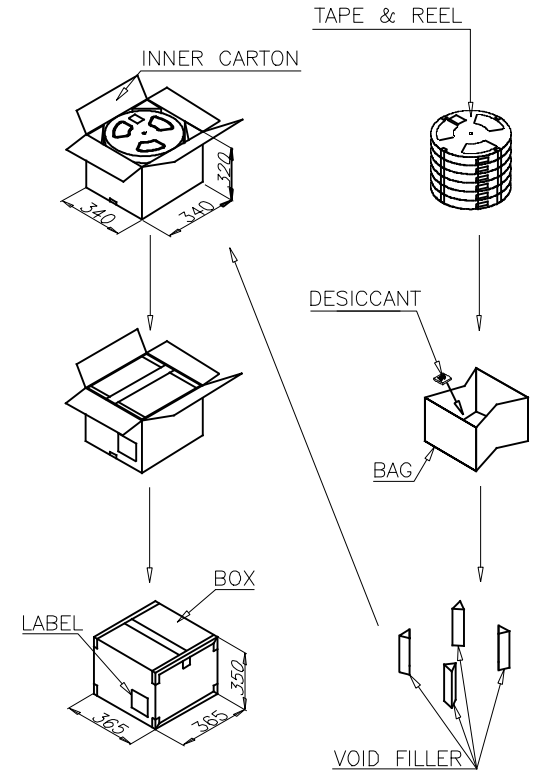
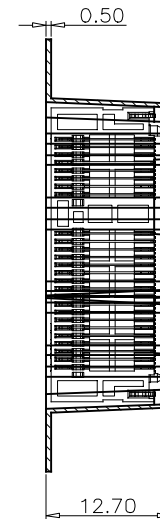
1. MATERIAL:  
 BOX: FIBREBOARD, CORRUGATED, DOUBLE WALL.  
 COVER TAPE: PET, 120C° HEAT-RESISTANT TEMPERATURE, TRANSPARENT COLOR.  
 CARRIER TAPE: POLYSTYRENES, 120C° HEAT-RESISTANT TEMPERATURE, TRANSPARENT COLOR.  
 REEL: HIPS, 70C° HEAT-RESISTANT TEMPERATURE, BLUE COLOR.  
 BAG: POLYETHYLENES, 100C° HEAT-RESISTANT TEMPERATURE, TRANSPARENT COLOR.
2. EACH BAG SHALL BE INCLUDED DESICCANT.
3. PEELING STRENGTH: 0.1 ~ 1.3 N (10 ~ 130 GRAMS).
4. PEELING SPEED: 300 mm/min.



REVERSE TAPE & REEL  
(FOR -XX1LF)



10.009KG	5.905KG	300	6	1800
GROSS WEIGHT	NET WEIGHT	PCS/ REEL	REEL/ BOX	PCS/ BOX



mat'l. code		surface		tolerance ASME Y14.5		projection		product family	
ltr	ecn no	dr	date	tolerances unless otherwise specified		MM		title	
A		TAI	2013-02-07	angles	0.10	X.X ± 0.30		0.80MM PITCH MINI PCI EXPRESS	
				0.15	0.20	X.XX ± 0.20		HIGH=10.6mm 52 PIN CONNECTOR	
				X°±4'	0.15	X.XXX ± 0.15		scale	
		dr	KENNY TAI	2013-02-07	engr	KENNY TAI	2013-02-07	dwg no	
		chr	KENNY TAI	2013-02-07	appd	PM ZHENG	2013-02-18	sheet 3 of 3 size	
								A4	
								type	
								CUSTOMER Drawing	
sheet index	revision sheet	A	A	A	A	A	A		
		1	2	3					