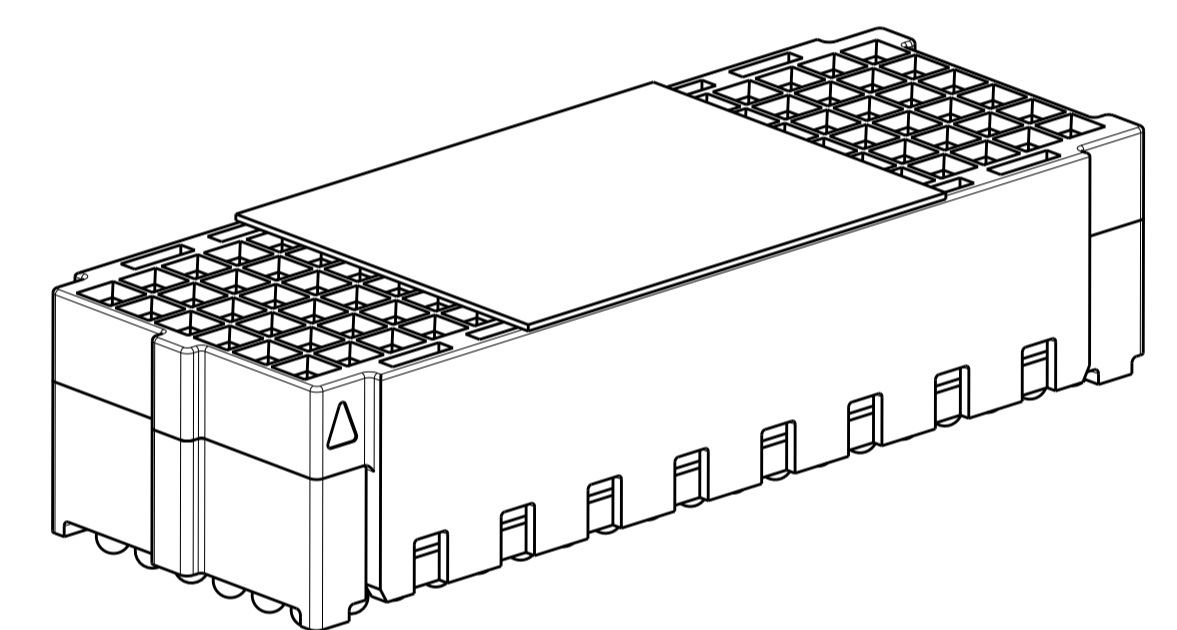
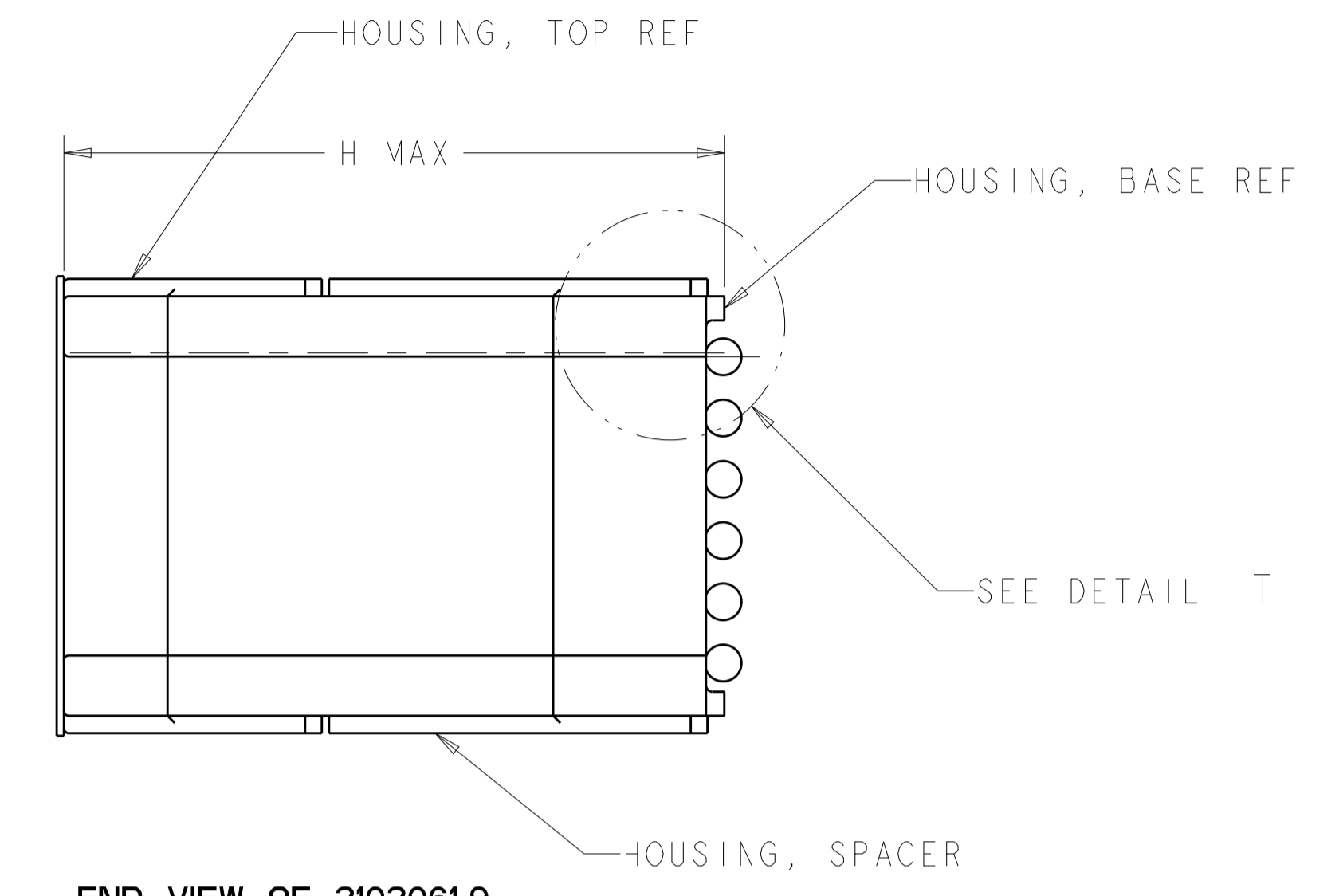
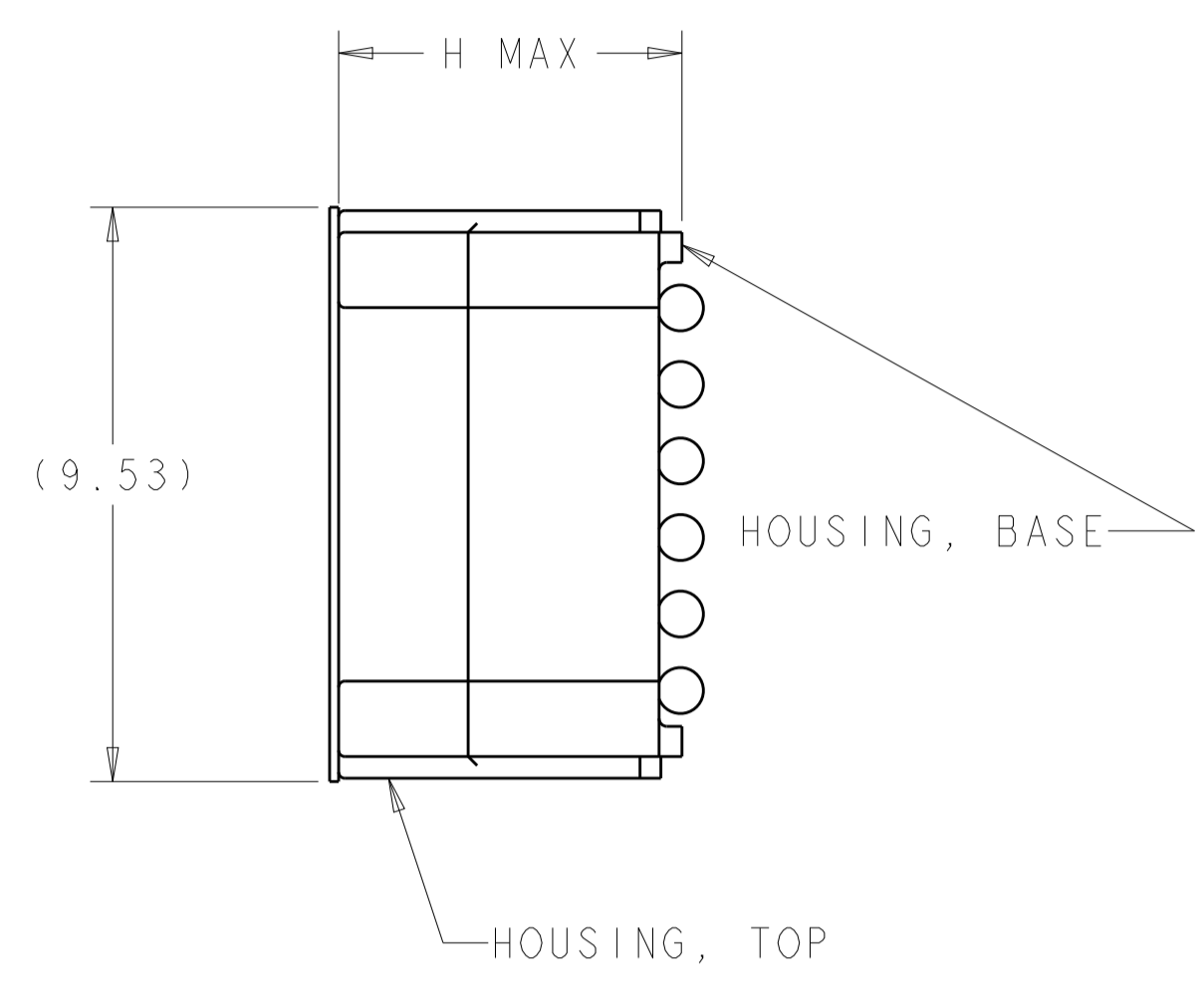
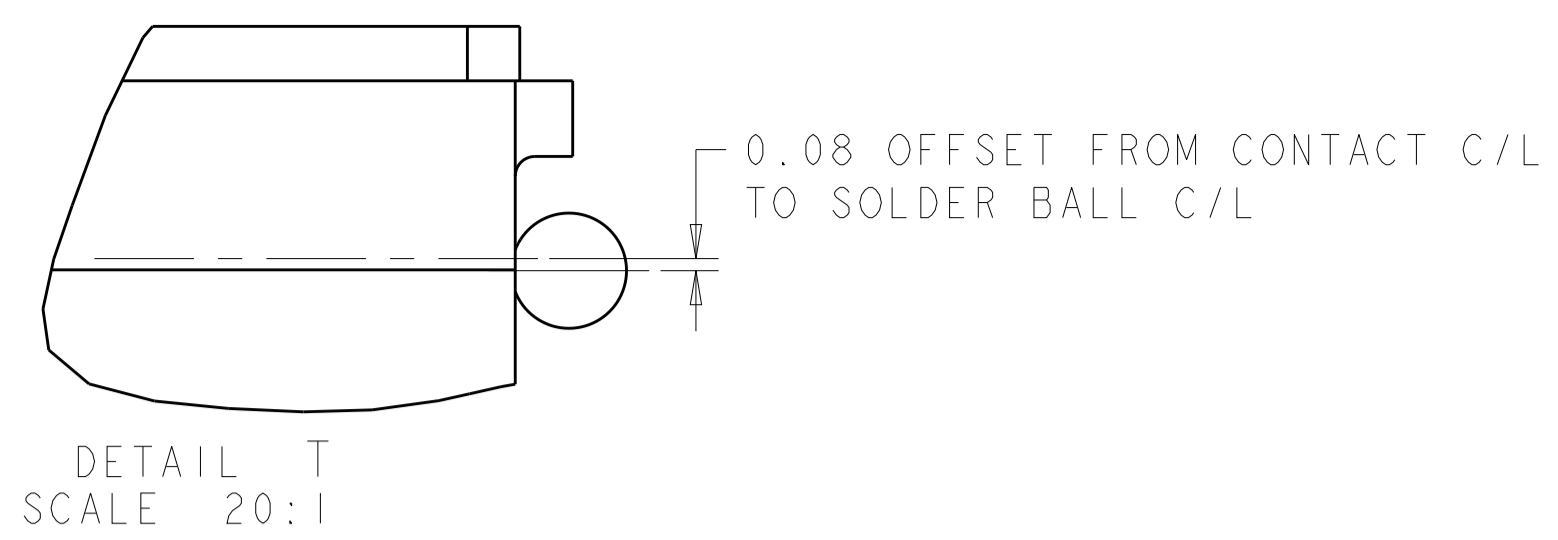
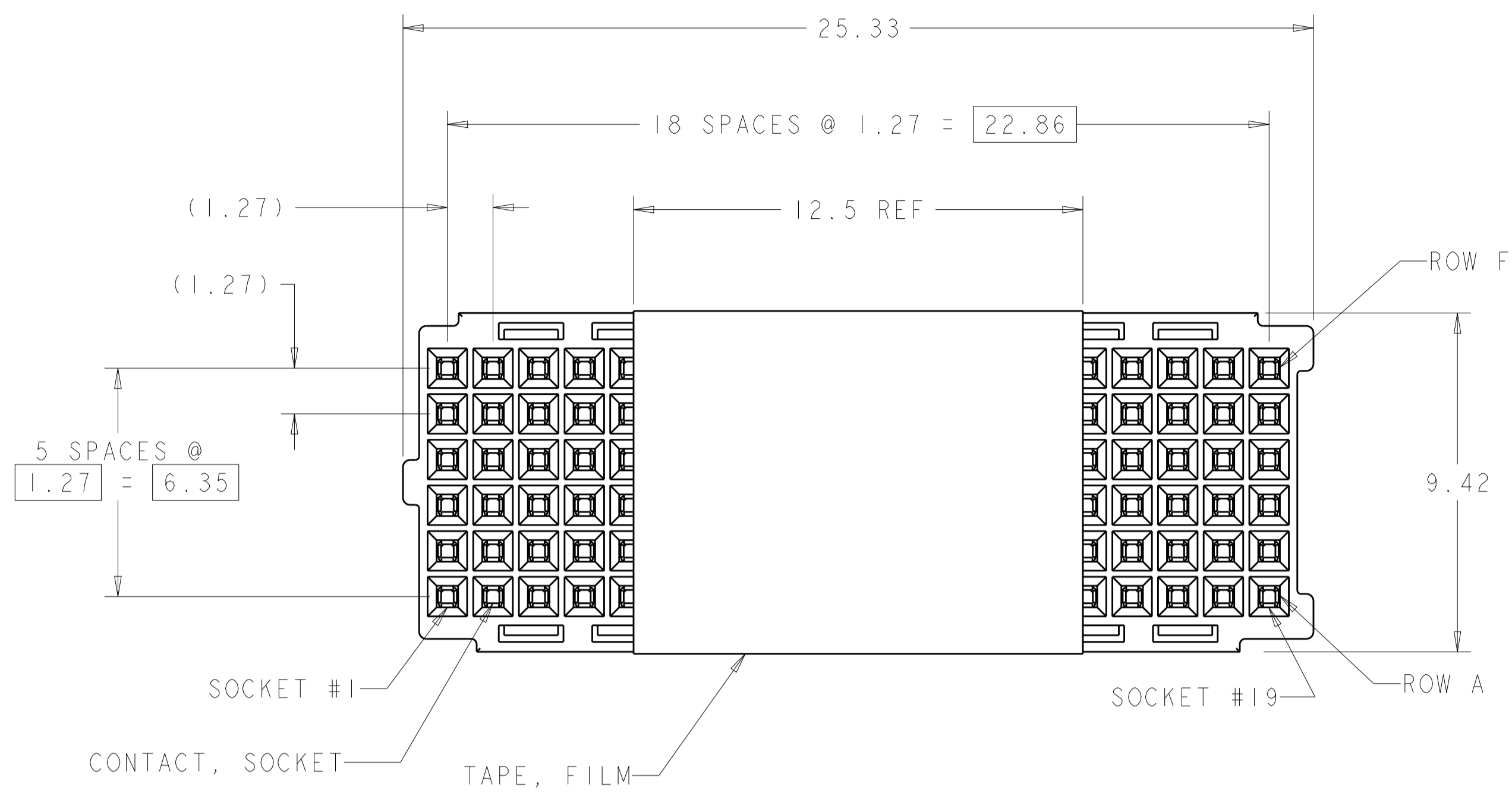
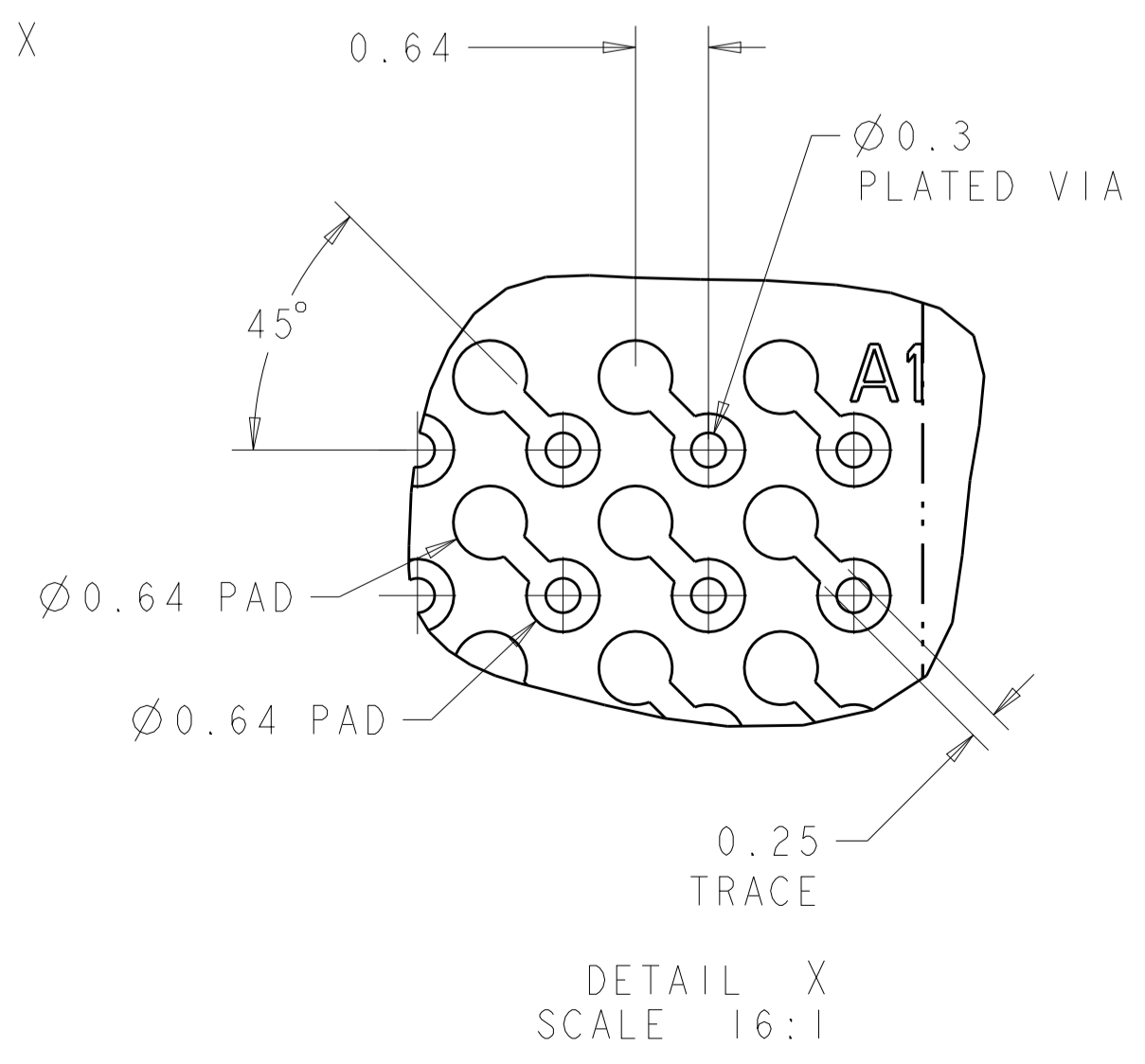
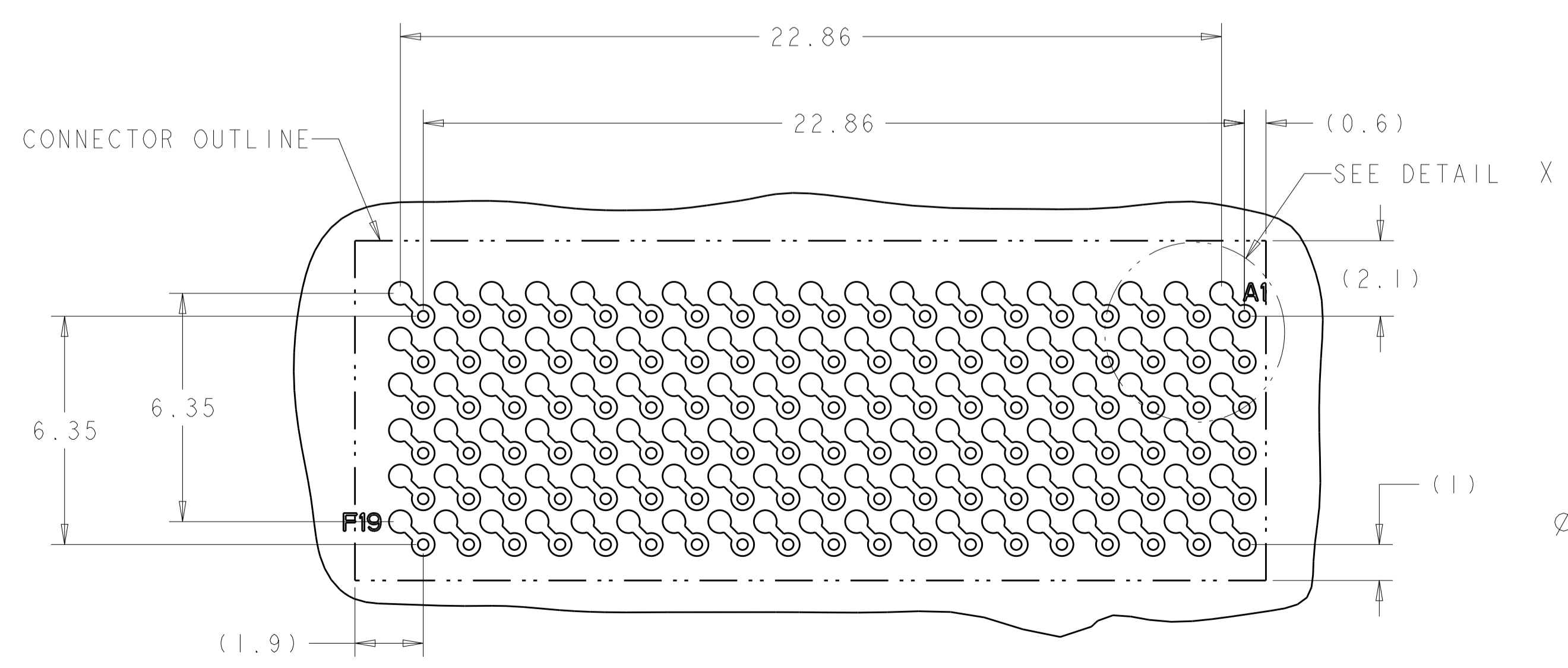
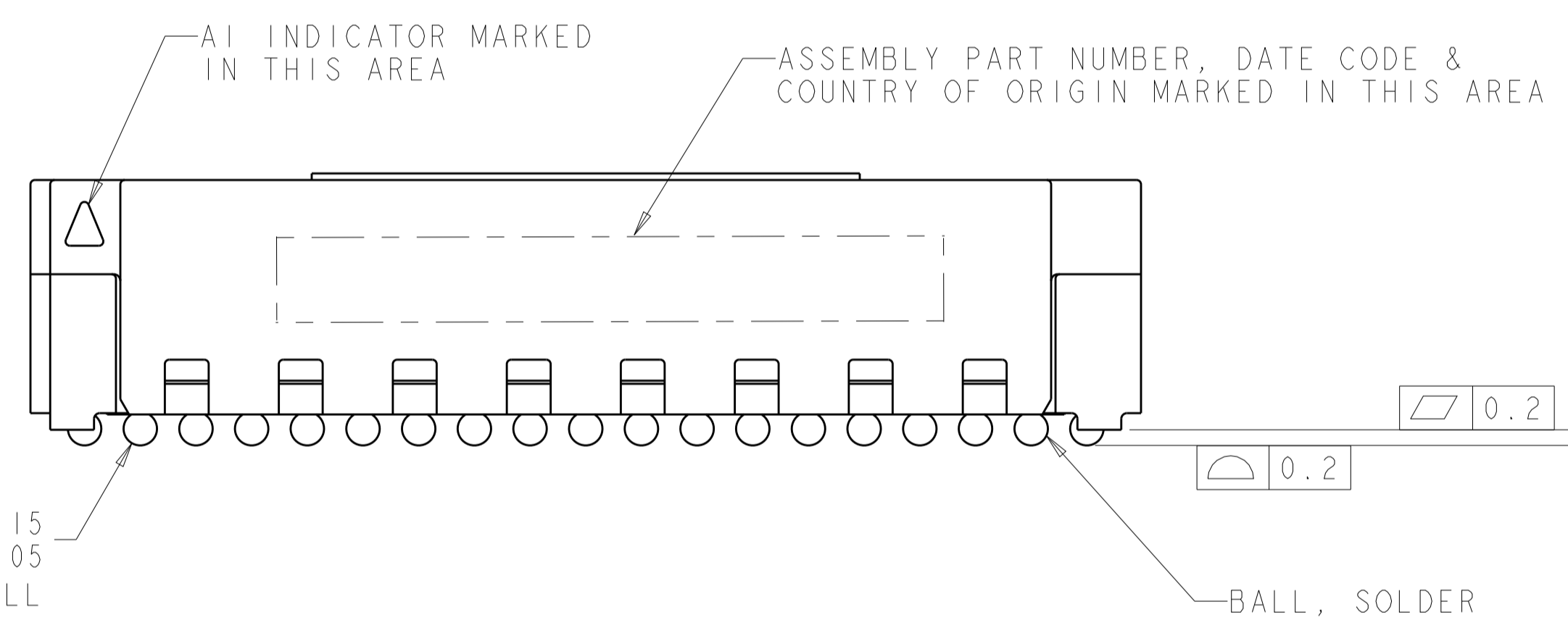


REVISIONS				
P.	LTN	DESCRIPTION	DATE	APPV
L		REV PER ECO 19-012058	8-27-19	CT RL



SCALE 6:1

- ⚠ MATERIAL: HOUSINGS; LCP, COLOR-NATURAL CONTACT; BERYLLIUM COPPER SOLDER BALL; SEE TABLE TAPE, FILM; KAPTON WITH SILICON ADHESIVE
- ⚠ FINISH: CONTACT; GOLD (SEE TABLE) ON MATING AREA OVER NICKEL ON ENTIRE CONTACT.
- 3. PRODUCT IS PACKAGED ON TAPE AND REELED.



MATING PART NUMBER	MATED STACK HEIGHT (mm)	GOLD PLATING THICKNESS	H MAX REF	SOLDER BALL MATERIAL	PART NUMBER
2102060-2	17	1.27 μm	13	LEAD FREE PER SAC405	1-2102061-8
2102060-1	17	1.27 μm	13	TIN LEAD	1-2102061-7
2102060-4	15	0.76 μm	11	LEAD FREE PER SAC405	1-2102061-6
2102060-3	15	0.76 μm	11	TIN LEAD	1-2102061-5
2102060-2	15	1.27 μm	11	LEAD FREE PER SAC405	1-2102061-4
2102060-1	15	1.27 μm	11	TIN LEAD	1-2102061-3
2102060-4	18	0.76 μm	14	LEAD FREE PER SAC405	1-2102061-2
2102060-3	18	0.76 μm	14	TIN LEAD	1-2102061-1
2102060-2	18	1.27 μm	14	LEAD FREE PER SAC405	1-2102061-0
2102060-1	18	1.27 μm	14	TIN LEAD	2102061-9
2102060-4	12	0.76 μm	8	LEAD FREE PER SAC405	2102061-8
2102060-3	12	0.76 μm	8	TIN LEAD	2102061-7
2102060-4	10	0.76 μm	6	LEAD FREE PER SAC405	2102061-6
2102060-3	10	0.76 μm	6	TIN LEAD	2102061-5
2102060-2	12	1.27 μm	8	LEAD FREE PER SAC405	2102061-4
2102060-1	12	1.27 μm	8	TIN LEAD	2102061-3
2102060-2	10	1.27 μm	6	LEAD FREE PER SAC405	2102061-2
2102060-1	10	1.27 μm	6	TIN LEAD	2102061-1

THIS DRAWING IS A CONTROLLED DOCUMENT.

DIMENSIONS: mm

TOLERANCES UNLESS OTHERWISE SPECIFIED:

0 PLC	±
1 PLC	±0.13
2 PLC	±
3 PLC	±
4 PLC	±
ANGLES	±

MATERIAL:

FINISH:

DATE: 23 JUL 2009

CHK: G. DOWNEY

APPV: K. DOWHOWER

PRODUCT SPEC: 108-2411

APPLICATION SPEC: 114-13279

WEIGHT: -

CUSTOMER DRAWING

SCALE: 8:1

SHEET 1 OF 1

REV L

TE Connectivity

ASSEMBLY, SOCKET, 114 POSITION, MEZALOK STACKING CONNECTOR

SIZE: A1

CAGE CODE: 00779

DRAWING NO: 2102061