



The drawing on this print and information therewith are proprietary to Varitronix and shall not be used in whole or in part without written permission of Varitronix.

ISSUE	AMENDMENT	DATE
1	UPDATE DIMENSION ADD THE NOTES	03.03.25
2 <sup>6</sup>	ADD BOTTOM VIEW AND DETAIL DRAWING A UPDATE DIMENSION ADD LED05	05.08.23

A

B

C

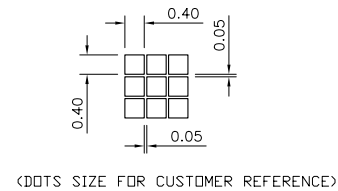
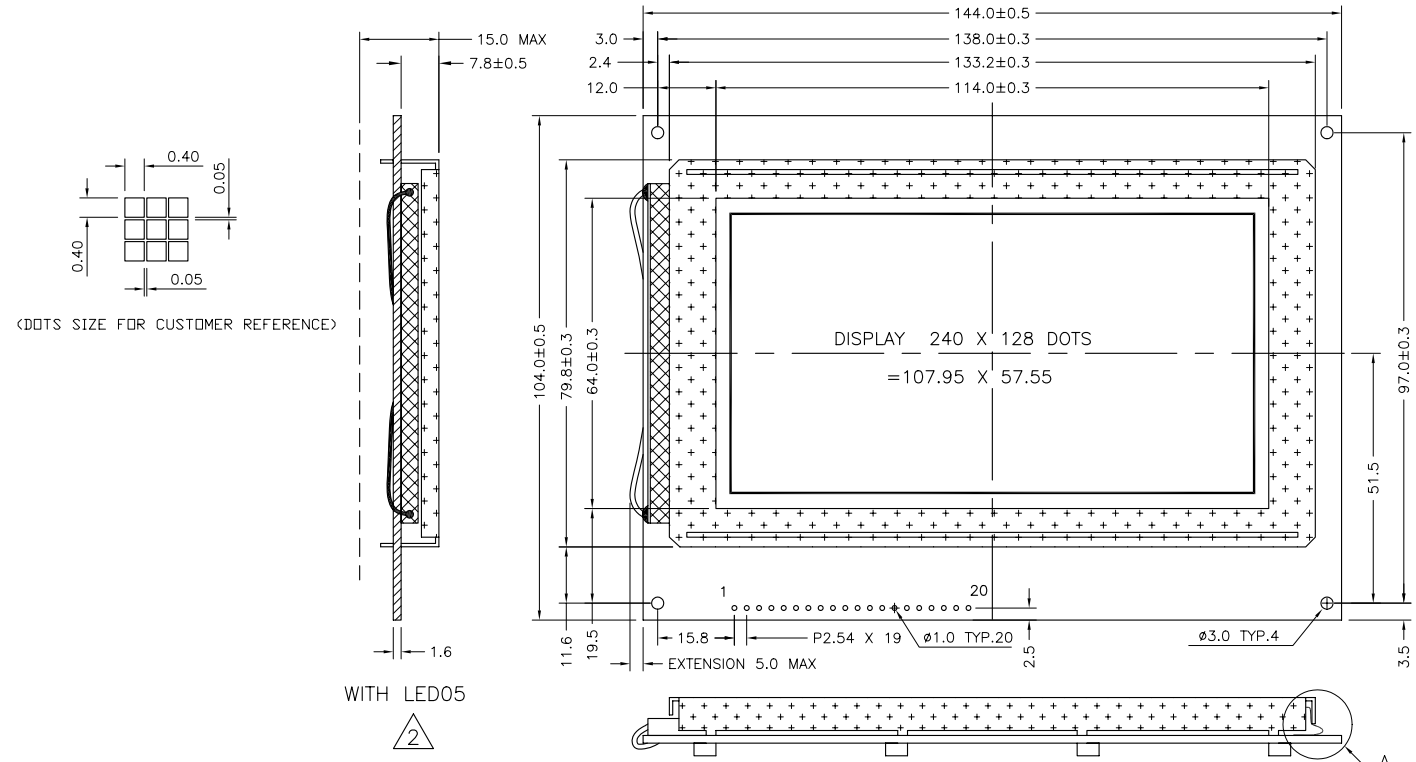
D

A

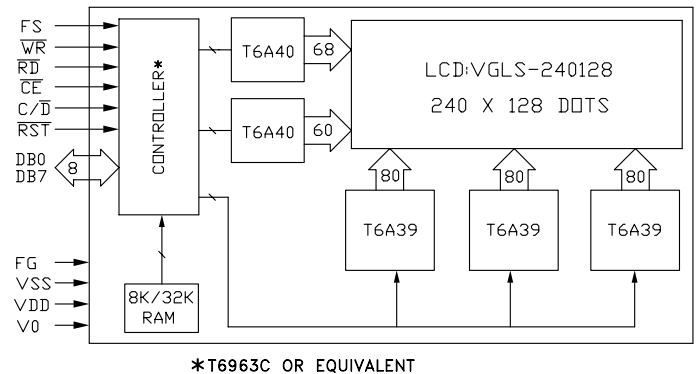
B

C

D



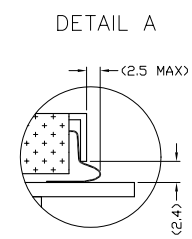
WITH LED05  
 2



1	2	3	4	5	6	7	8	9	10	11	12	13	14	15	16	17	18	19	20
FG	VSS	VDD	V0	/WR	/RD	/CE	C/D	/RST	DB0	DB1	DB2	DB3	DB4	DB5	DB6	DB7	FS	LED(+)	LED(-)

NOTES:  
 1. ◇ : SPECIAL CHARACTERISTIC  
 2. + : SAFETY CHARACTERISTIC  
 3. ▽ : CRITICAL DIMENSION  
 4. (...): REFERENCE DIMENSION

**VE** VARITRONIX LIMITED



TITLE: LCM Module Specification		
PROJECT NO: MGLS240128TA		
TOLERANCE UNLESS OTHERWISE SPECIFIED:	X.X ±0.3	X.XX ±0.1
DIMENSIONS IN MM	ANGULAR: ± 1°	
MATERIAL: N/A	FINISH: N/A	
SCALE: DD NOT ON SCALE	OVERALL THK: N/A	
THIRD ANGLE PROJECTION		
	NAME	SIGN
DRAWN:	XB LONG	
CHECKED:	ZB TANG	
APPROVED:	CHARM	
ITEM NO.: MGLS240128TA-XX		
DESCRIPTION: MGLS240128TA		
FILE NO: MGLS240128TA-XX R2	REV: 2	
SHEET	2 OF	2