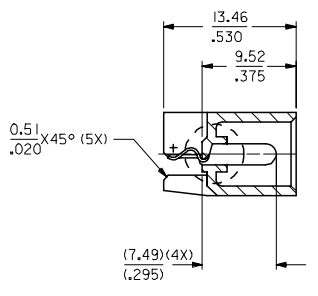
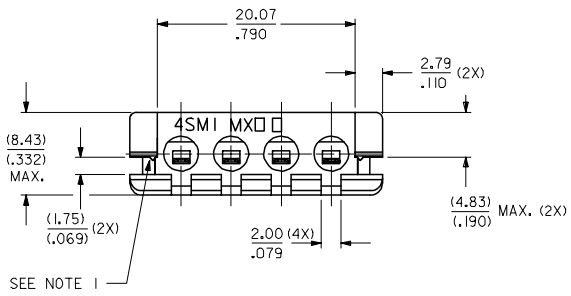
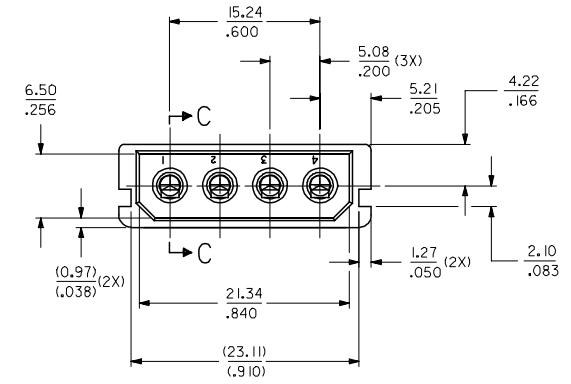


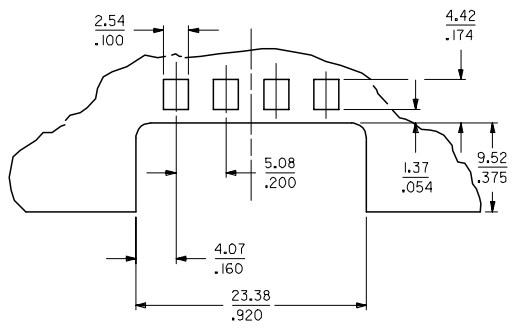
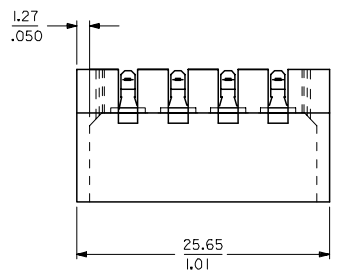
MAT'L NO.	ENG NO.
15-24-4455	A-8981-4SM1-LF



SECTION C - C



RECOMMENDED P.C. BOARD LAYOUT



NOTES:

- MOLDED RIBS TO PROVIDE AN INTERFERENCE FIT TO A 1.62± 0.10/(.064±.004) P.C. BOARD
- PLATING
POSTPLATE 0.00254/(.000100) MIN. TIN OVER 0.00127/(.000050) MIN. NICKEL OVERALL.
- PART INTENDED TO MATE WITH HOUSING 8981-4P2 AND TERMINAL 8980-3*.
- PRODUCT SPEC. PS-8981-4SM* APPLIES.
- MATERIAL:
HOUSING - PET, GLASS FILLED, UL94V-0, COLOR: BLACK
TERMINAL - PHOSPHOR BRONZE

OBS TIN/LEAD P/N EC NO: S2006-0763 DRWN:MLG 2006/03/31 CHKD:NAGESHKN 2006/03/31 APPR:PTLIM 2006/04/03	DESCRIPTION	QUALITY SYMBOLS	GENERAL TOLERANCES (UNLESS SPECIFIED)		DIMENSION STYLE	SCALE	DESIGN UNITS	THIRD ANGLE PROJECTION		
		$\nabla=0$ $\triangle=0$			MM/IN	NTS	METRIC			
				mm	INCH	DRAWN BY	DATE	TITLE		
			4 PLACES ± --- ± ---	3 PLACES ± --- ± .008	2 PLACES ± 0.20 ± ---	1 PLACE ± --- ± ---	CK	1989/09/30	POWER CONNECTOR, 4 CKTS SMT	
		ANGULAR ± 3 °		CHECKED BY	DATE	MOLEX INCORPORATED				
		DRAFT WHERE APPLICABLE MUST REMAIN WITHIN DIMENSIONS		TAY	1989/09/30					
				APPROVED BY	DATE	DOCUMENT NO.		SHEET NO.		
				NK	1989/09/30	SDA-8981-4SM1		1 OF 1		
				MATERIAL NO.		SEE TABLE				
				THIS DRAWING CONTAINS INFORMATION THAT IS PROPRIETARY TO MOLEX INCORPORATED AND SHOULD NOT BE USED WITHOUT WRITTEN PERMISSION						