

## SUMMARY



*Image is for illustrative purpose only*

### # Wires

Low	26
High	0
Coax	0
Triax	0
Quad	0
Fiber	0
Fluidic	0

### Download

[Request a quote](#)

[Catalog](#)

Series	C
Termination type	Female print PCB
IP rating	50
Cable Ø	0.00 - 0.00 mm
Matching parts	
Status	
Alternative part	

## TECHNICAL DETAILS

### Mechanics

Shell Style/Model	CK*: Fixed receptacle with two nuts (back panel mounting)
Keying	
Housing Material	PSU (Polysulfone), gray
Cable Fixing	∅ 0 - 0 mm
Variant	

### Performance

Configuration	
Insulator	
Rated Current	2 Amps

### Specifications

Test voltage (kV rms) Contact-contact:	1
Air clearance min. (mm) or Creepage distance min. (mm):	0.55

### Others

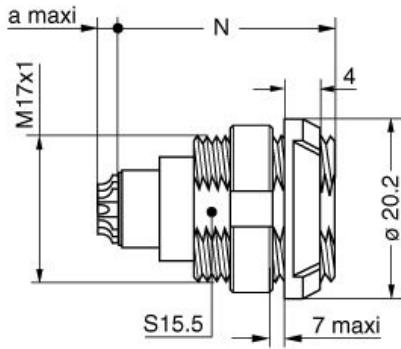
F ret (min):	150 N
--------------	-------

F ret (max): 250 N  
Steam sterilization: 20 times  
IP Rating: 50

---

## DRAWINGS

### Draws



### Dimensions

	A	L	N	e
mm.	20.2	28.7	23.8	M17x1
in.	0,80	1,13	0,94	

---

## RECOMMENDED BY LEMO

### Tools

None

### Cables