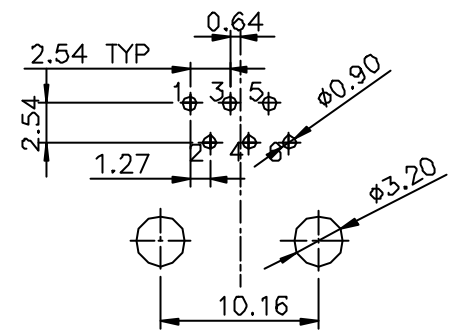
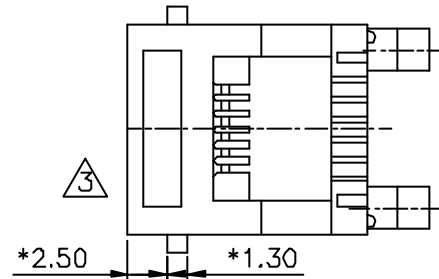
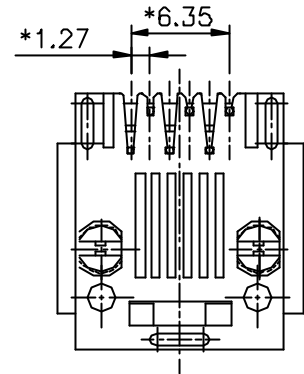
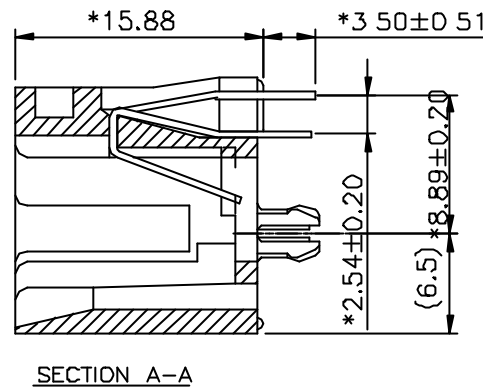
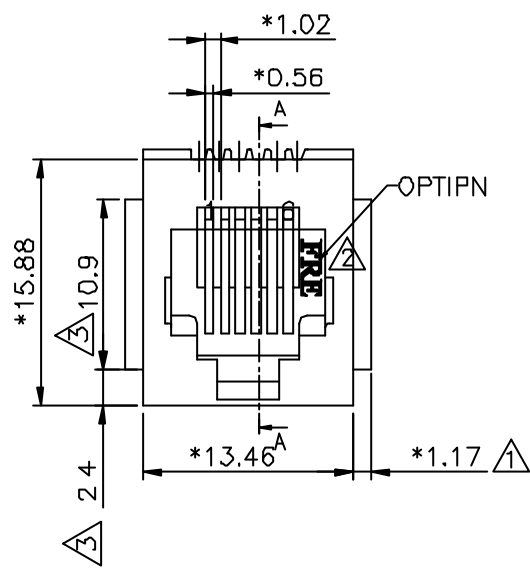


REVISION RECORD				
REV	EDC	DESCRIPTION	DRFT	CHKD
△		DRAWING MODIFY	SAMMY 07/22/02	
△		DRAWING MODIFY	YUSUK 12/08/02	



NOTES:

ELECTRICAL:

- VOLTAGE RATING : 125 VAC RMS MIN.
- CURRENT RATING : 1.5 AMP MIN.
- CONTACT RESISTANCE : 30 MILLIOHMS MAX.
- INSULATION RESISTANCE: 1000 MEGOHMS MIN @ 500 VDC.
- DIELECTRIC STRENGTH : 1000 VAC RMS 60Hz, 1MIN.

MECHANICAL:

- HOUSING MATERIAL : GLASS FILLED POLYESTER UL94V-0.
- CONTACT MATERIAL : PHOSPHOR BRONZE $\phi=0.46$ mm
- PLATING : 1: CONTACT AREA- SELECTIVE GOLD PLATING.
2: TAILS- 150u" TIN-LEAD MIN OVER 50u" NICKEL
- OPERATING LIFE : 750 CYCLES MIN.
- PCB RETENTION PRE-SOLDER : 1 LB MIN.
- PCB RETENTION POST-SOLDER: 10 LBS MIN.

ENVIRONMENTAL:

- STORAGE : -40°C TO +85°C.
- OPERATION: 0°C TO 70°C.

MATES WITH MODULAR PLUG CONFORMING TO FCC PART 68, SUBPART F.

CUL FILE NO. E163191

PART NUMBER: E526X-E00XXX

- 0-A06-0100 BK
- L-A06-0100 BK W/ FRE LOGO
- 2- 2 CONTACTS
- 4- 4 CONTACTS
- 6- 6 CONTACTS
- 1- 3u" 2- 6u" 3-15u"
- 4-30u" 5-50u" 6-Pd20u"
- 3-W/ PANEL STOP SPLIT FOOT
- 4-W/O PANEL STOP SPLIT FOOT

MM (INCR)	DFTD YJK	DATE 6/11/99
TOLERANCES EXCEPT AS NOTED	CHKD SAMMY	DATE 2003/06/10
M/M	MFO	DATE
0 ± 0.2	APPLD CZH	DATE 2003/06/10
0.00 ± 0.015	MATERIAL :	
0.00 ± 0.075	QT'Y :	
ANGLES ±	FINISH :	
THIRD ANGLE PROJECTION	SCALE : 3:1	

FULL RISE ELECTRONIC CO., LTD		
TITLE		
TOP ENTRY PCB JACK		
DRAWING NO. GE523027	SIZE A3	REV 3
/PART NO SEE NOTE		
DO NOT SCALE DRAWING	SHEET	OF