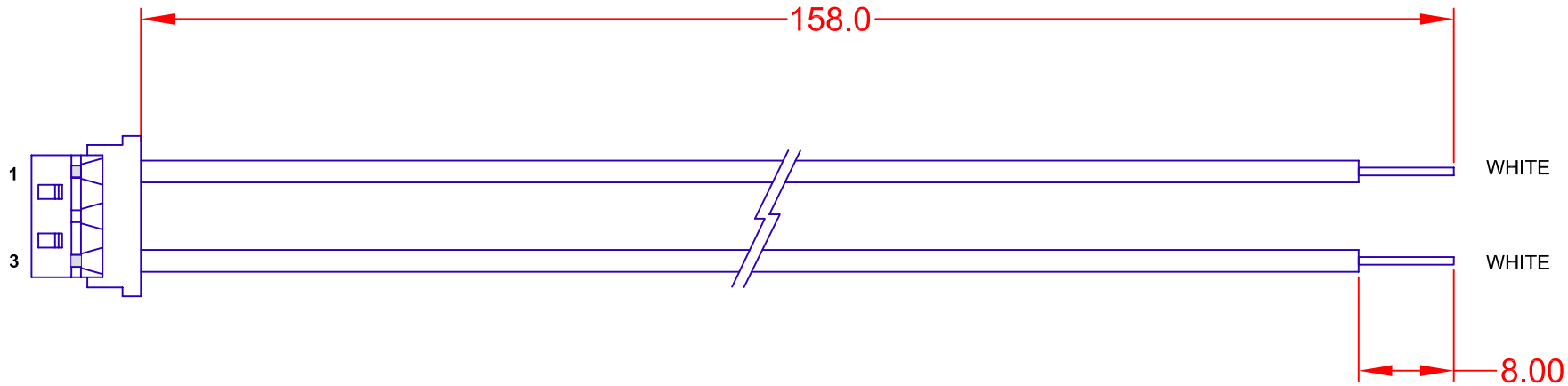


REV.	DESCRIPTION/ECO NO.	DATE
	RELEASE & CANCEL BXA-12562/CONN2	2/26/03
A	ADD RoHS NOTE, WIRE, CONTACT	2/9/07

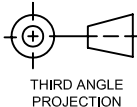


PIN	WIRE TYPE	AWG	COLOR
1	UL 3613	22	WHT
2	NC		
3	UL 3613	22	WHT

**JKL PART NO.: BXC-10567**

**NOTES:**

1. HOUSING QZ-19-3F01 (HONDA)
2. CONTACT QZ-19-F114A (HONDA)
3. RoHS COMPLIANCE  
(CONTACT JKL FOR RoHS LOT IDENTIFICATION)

<b>METRIC</b>  THIRD ANGLE PROJECTION	DIMENSIONS ARE IN MILLIMETERS	<b>JKL COMPONENTS CORPORATION</b> TITLE <b>OUTPUT CONNECTOR HARNESS</b>					
	TOLERANCE UNLESS OTHERWISE SPECIFIED 1 PL +/- 4.0 2 PL +/- 0.50 ANGLE +/- 0					SIZE <b>A</b>	
DRAWN BY L. WENGSTROM	APPV'D BY L.R.	DATE 2/9/07	SCALE NONE	RELEASED DATE 2/26/03	REVISION DATE 2/9/07	REV. NO. <b>A</b>	SHEET 1 OF 1
- CAD DRAWING - MANUAL REVISIONS NOT PERMITTED							