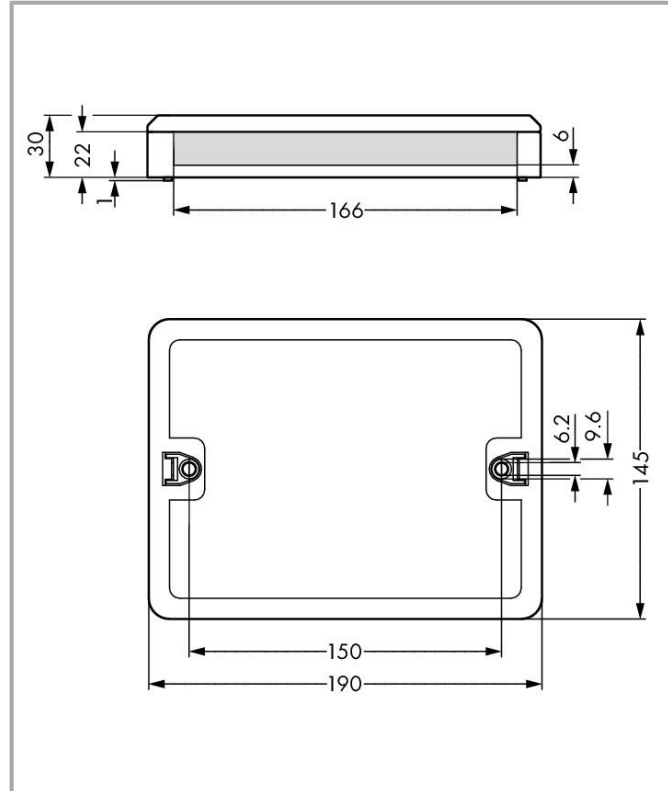
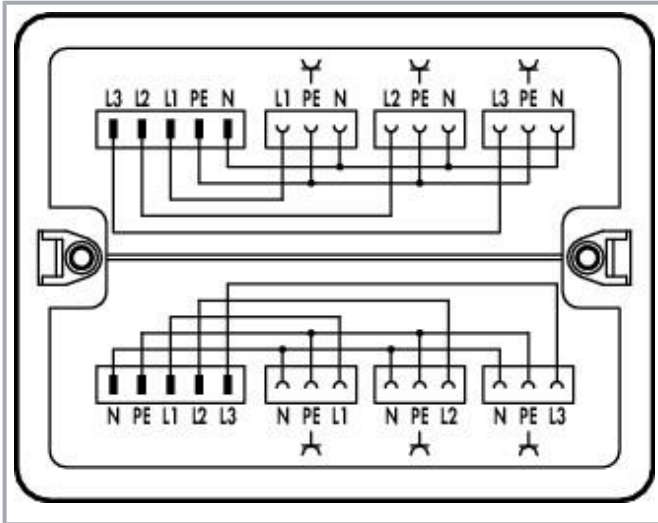


Data sheet | Item number: 899-681/144-000

Distribution box; Three-phase to single-phase current (400 V/230 V); 2 inputs; 6 outputs; Cod. A; MIDI



[www.wago.com/899-681/144-000](http://www.wago.com/899-681/144-000)



## Item description

### Distribution box *WINSTA*® with protection against mismating

The distribution box from the *WINSTA*® product line with protection against mismating guarantees you the greatest possible flexibility in electrical installation. With WAGO, you benefit from a large selection of expansions for the *WINSTA*® product line. For greater security in electrical installations, the distribution box is equipped with mechanical protection against mismating. The distribution box is protected against ingress by solid objects in accordance with protection type IP20 (When mated: IP2xC (These compact connectors are not designed for use in open, easily accessible areas!)).

Subject to changes. Please also observe the further product documentation!

WAGO GmbH & Co. KG  
Hansastr. 27  
32423 Minden  
Phone: +49571 887-0 | Fax: +49571 887-169  
Email: [info.de@wago.com](mailto:info.de@wago.com) | Web: [www.wago.com](http://www.wago.com)

Do you have any questions about our products?  
We are always happy to take your call at +49 (571) 887-44222.



## Lower costs through fast commissioning and elimination of service expenses – solutions from WINSTA®

The WINSTA® Pluggable Connection System is ideally tailored to the very strict requirements of building installation. It makes electrical installation pluggable, and therefore faster, more reliable, and error-free. Using this pre-assembled system reduces time spent on assembly and errors during installation at the construction site. Now you can also lower installation expenses without compromising quality and safety: The WINSTA® distribution box with protection against mismatching eliminates the need for servicing and prevents unnecessary downtime.

- effective protection against mismatching
- clear slot identification for easy commissioning
- saves time, since no wiring is required at the construction site
- quick replacement of defective units during ongoing operation

### Data

#### Electrical data

#### Ratings per IEC/EN

Ratings per	IEC/EN 60664-1
Legend (ratings)	(III / 3) ≙ Overvoltage category III / Pollution degree 3

#### General

Note on contact resistance	approx. 1 mΩ contact resistance approx. 0.25 mΩ contact transition (plug/socket)
----------------------------	---

#### Physical data

Width	190 mm / 7.48 inches
Height	30 mm / 1.181 inches
Depth	145 mm / 5.709 inches

#### Mechanical Data

Mounting type	Wall, screw mount Installation on mounting plate
Protection type	IP20; When mated: IP2xC (These compact connectors are not designed for use in open, easily accessible areas!)

Subject to changes. Please also observe the further product documentation!



## Plug-in connection

Mismatching protection	Yes
Note on mismatching protection	All <i>WINSTA</i> <sup>®</sup> components are 100% protected against mismatching when: a.) plugging different numbers of poles b.) plugging while rotated 180 c.) plugging while laterally staggered d.) plugging one pole
Locking of plug-in connection	locking lever

## Material Data

Note (material data)	Information on material specifications can be found here
Insulation material	Polyamide (PA66)
Flammability class per UL94	V0
Contact material	Copper or copper alloy; surface-treated
Contact plating	Tin
Fire load	30.648 MJ
Weight	365.6 g

## Environmental requirements

Processing temperature	-5 ... +40 °C
Continuous operating temperature	-35 ... +85 °C
Note on continuous operating temperature	Insulating parts for temperatures ≤ 105 °C

## Commercial data

ETIM 8.0	EC002567
ETIM 7.0	EC002567
PU (SPU)	1 pcs
Packaging type	box
Country of origin	DE
GTIN	4055143933384
Customs tariff number	85366990990

Subject to changes. Please also observe the further product documentation!

WAGO GmbH & Co. KG  
Hansastr. 27  
32423 Minden  
Phone: +49571 887-0 | Fax: +49571 887-169  
Email: [info.de@wago.com](mailto:info.de@wago.com) | Web: [www.wago.com](http://www.wago.com)

Do you have any questions about our products?  
We are always happy to take your call at +49 (571) 887-44222.

## Environmental Product Compliance

RoHS Compliance Status

Compliant, No Exemption

## Counterpart



**Item no. 770-125**

Socket; with strain relief housing; 5-pole; Cod. A; 4,00 mm<sup>2</sup>; white

[www.wago.com/770-125](http://www.wago.com/770-125)



**Item no. 770-225**

Socket; 5-pole; Cod. A; 4,00 mm<sup>2</sup>; white

[www.wago.com/770-225](http://www.wago.com/770-225)



**Item no. 770-133**

Plug; with strain relief housing; 3-pole; Cod. A; 4,00 mm<sup>2</sup>; white

[www.wago.com/770-133](http://www.wago.com/770-133)



**Item no. 770-233**

Plug; 3-pole; Cod. A; 4,00 mm<sup>2</sup>; white

[www.wago.com/770-233](http://www.wago.com/770-233)



**Item no. 771-9995/006-102**

pre-assembled interconnecting cable; Eca; Socket/plug; 5-pole; Cod. A; H05VV-F 5G 1.5 mm<sup>2</sup>; 1 m; 1,50 mm<sup>2</sup>; white

[www.wago.com/771-9995/006-102](http://www.wago.com/771-9995/006-102)



**Item no. 771-9993/006-102**

pre-assembled interconnecting cable; Eca; Socket/plug; 3-pole; Cod. A; H05VV-F 3G 1.5 mm<sup>2</sup>; 1 m; 1,50 mm<sup>2</sup>; white

[www.wago.com/771-9993/006-102](http://www.wago.com/771-9993/006-102)

## Optional accessories

### Mounting

Mounting accessories



**Item no.: 899-680**

Mounting plate; for distribution boxes; gray

[www.wago.com/899-680](http://www.wago.com/899-680)

## Downloads

### Environmental Product Compliance

#### Compliance Search

Environmental Product Compliance 899-681/144-000

URL

Download

Distribution box; Three-phase to single-phase current (400 V/230 V); 2 inputs; 6 outputs; Cod. A; MIDI

Subject to changes. Please also observe the further product documentation!

WAGO GmbH & Co. KG

Hansastr. 27

32423 Minden

Phone: +49571 887-0 | Fax: +49571 887-169

Email: [info.de@wago.com](mailto:info.de@wago.com) | Web: [www.wago.com](http://www.wago.com)

Do you have any questions about our products?

We are always happy to take your call at +49 (571) 887-44222.

## Installation Notes

### Installation



Securing the mounting plate with WINSTA®  
Distribution Box to the wall (e.g., via stud gun).

## Product family

### WINSTA® boxes

WINSTA® ist das Steckverbindersystem, das optimal auf die hohen Anforderungen in der Gebäudeinstallation zugeschnitten ist. Es macht die Elektroinstallation steckbar und dadurch schnell, sicher und fehlerfrei. Dies gilt auch in weiteren Anwendungen wie z. B. im Schiffbau, in der Bahntechnik oder in der Industrie.

[Show all products from the family](#)

Subject to changes. Please also observe the further product documentation!