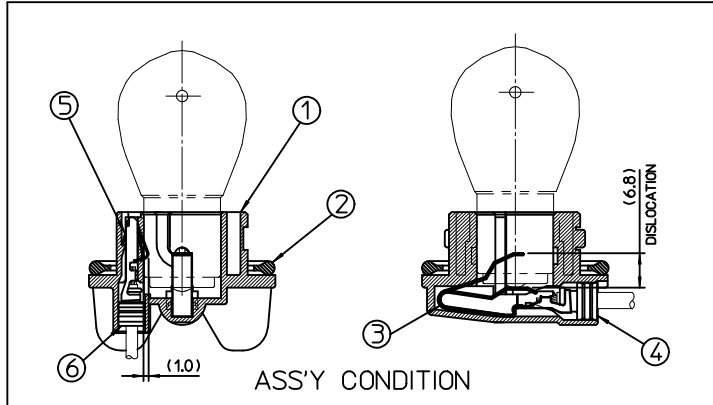
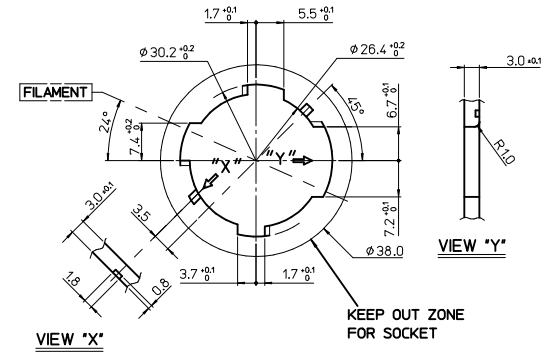
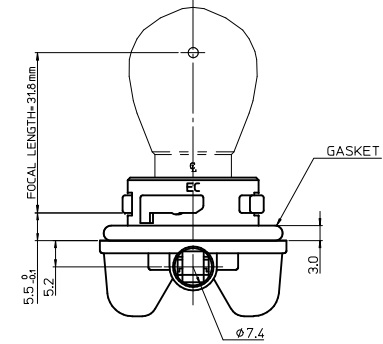
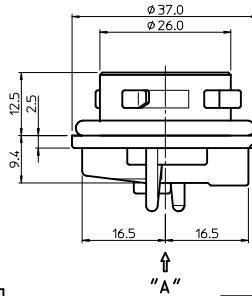
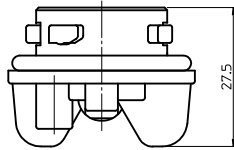
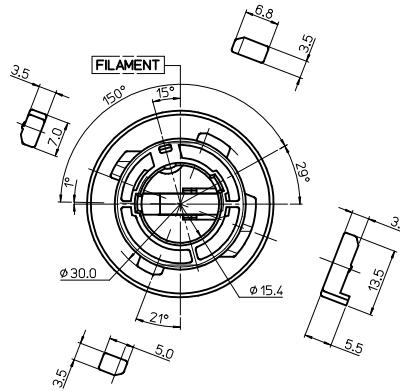
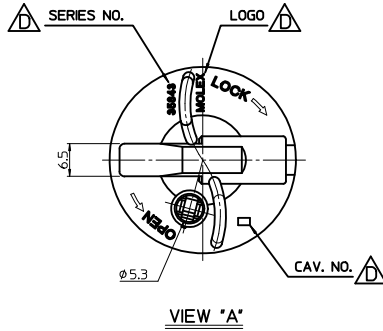


- NOTES
 1. FOCAL LENGTH = 31.8mm
 2. PRODUCT SPECIFICATION: PS-35842-001
 3. APPLICABLE BULB CAP: PY21W(BAU15s)
 4. MATES WITH

<PART LIST>

| NO. | DESCRIPTION | MATERIAL | USAGE | REMARK |
|-----|---------------|----------|-------|---------|
| ① | SINGLE SOCKET | PA66 M/F | 1 | EC TYPE |
| ② | SEAL GASKET | NBR | 1 | BLACK |

| NO. | DESCRIPTION | MATERIAL | ORDER NO. | REMARK |
|-----|--------------------|-----------------|------------|----------|
| ③ | POSITIVE TERMINAL | PHOSPHOR BRONZE | 35464-8000 | UNPLATED |
| ④ | POSITIVE WIRE SEAL | SILICONE | 35903-0096 | BROWN |
| ⑤ | EARTH TERMINAL | PHOSPHOR BRONZE | 35465-8000 | UNPLATED |
| ⑥ | EARTH WIRE SEAL | SILICONE | 35903-0106 | BLUE |



<TABLE 1>

| MATERIAL NO. | ORDER NO. | COLOR |
|--------------|------------|---------|
| 358431230 | 35843-1230 | NATURAL |
| 358431235 | 35843-1235 | GRAY |
| 358431236 | 35843-1236 | WHITE |
| 358431237 | 35843-1237 | BROWN |

MOUNTING INTERFACE (MI-1)

| | | | | | | | |
|---|----------------------------|---|-----------------|-------|---|--|-----------|
| REVISED EC NO: KOR2010-0146 DRWNEOKIM 2010/04/05 CHKD-WYANG 2010/04/05 APPR: YUNSIKKIM 2010/04/06 | QUALITY SYMBOLS | GENERAL TOLERANCES (UNLESS SPECIFIED) | DIMENSION STYLE | SCALE | DESIGN UNITS | THIRD ANGLE PROJECTION | |
| | $\nabla=0$ $\nabla C=0$ | mm INCH 4 PLACES ± --- ± --- 3 PLACES ± --- ± --- 2 PLACES ± 0.15 ± --- 1 PLACE ± 0.25 ± --- ANGULAR ± 2 ° | MM ONLY | 1:1 | METRIC | | |
| | | DRAFT WHERE APPLICABLE MUST REMAIN WITHIN DIMENSIONS | DRAWN BY | DATE | TITLE | SEALED PT BULB SOCKET SINGLE HOUSING ASS'Y (EC-TYPE) | |
| | | | CHECKED BY | DATE | | MOLEX INCORPORATED | |
| | | | APPROVED BY | DATE | | MATERIAL NO. | SHEET NO. |
| | | | | | SEE TABLE 1 | SD-35843-005 | |
| | | | | | THIS DRAWING CONTAINS INFORMATION THAT IS PROPRIETARY TO MOLEX INCORPORATED AND SHOULD NOT BE USED WITHOUT WRITTEN PERMISSION | | |