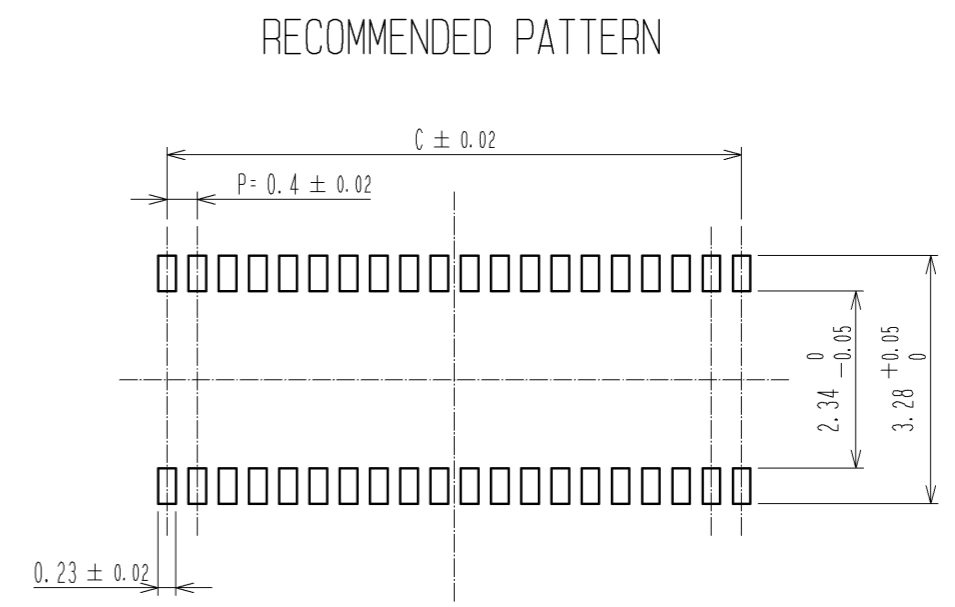
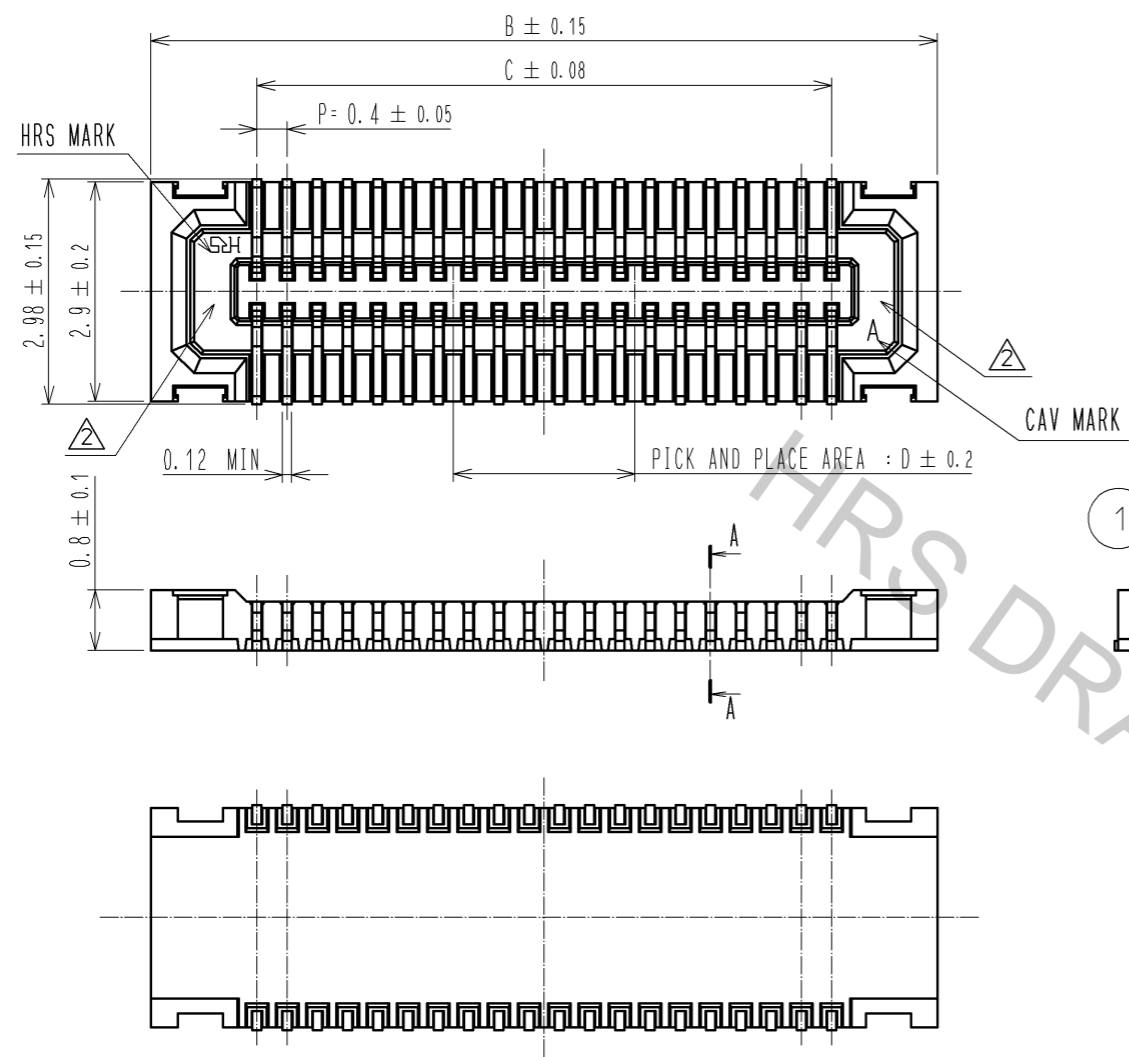
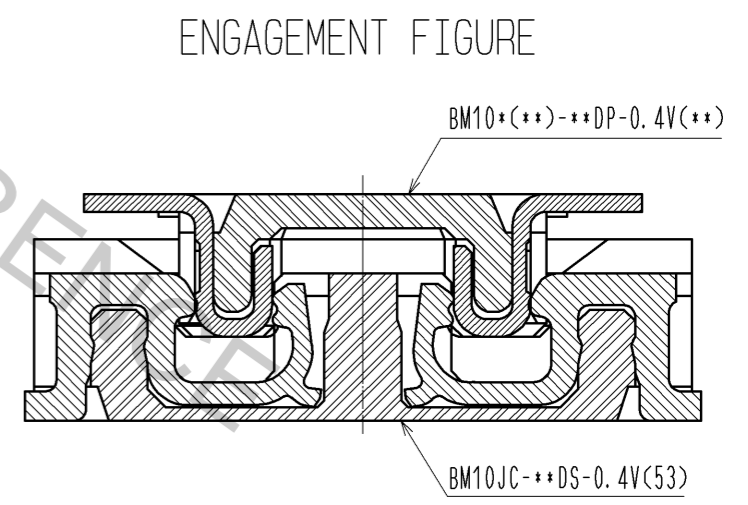
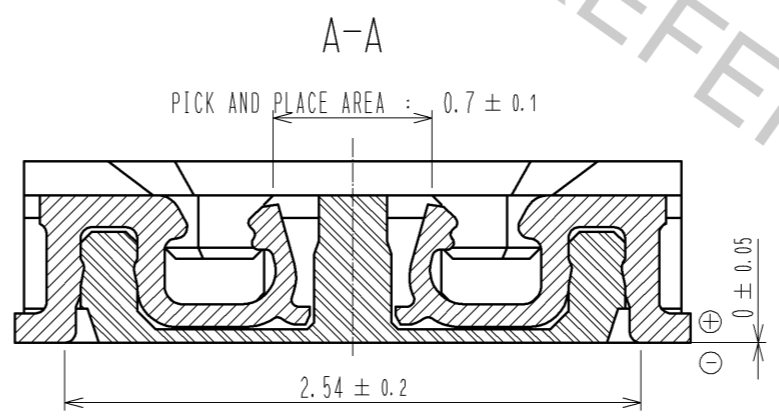


Apr.1.2017 Copyright 2017 HIROSE ELECTRIC CO., LTD. All Rights Reserved.



RECOMMENDED SOLDER PASTE : THICKNESS 120μm

- NOTE 1. ALL LEADS CO-PLANARITY SHALL BE 0.1 MAX.  
 2. PER REEL : 1000 CONNECTORS.  
 3. AT THE BEGINNING OF THE REEL, 100 mm AT MIN SHALL BE EMPTY POCKETS.  
 AT THE END OF THE REEL, 160 mm AT MIN SHALL BE EMPTY.  
 4. CONTACT PLATING SPECIFICATIONS.  
 CONTACT AREA : GOLD 0.05μm MIN.  
 SMT LEAD : GOLD 0.05μm MIN.  
 UNDERPLATING : NICKEL 1μm MIN.  
 (SURFACE : SEALING)  
 5. PEEL FORCE OF COVER TAPE REFERS TO JIS C 0806.  
 6. REFER TO PAGE 3 FOR EMBOSS CASE OF LESS THAN EQUAL TO 20 PINS CONNECTORS.



PART No.	CODE No.	B	C	D
BM10JC-10DS-0.4V(53)	CL684-6061-0-53	4.40	1.6	0.8
BM10JC-16DS-0.4V(53)	CL684-6059-9-53	5.60	2.8	1.6
BM10JC-20DS-0.4V(53)	CL684-6057-3-53	6.40	3.6	1.6
BM10JC-24DS-0.4V(53)	CL684-6049-5-53	7.20	4.4	2.0
BM10JC-30DS-0.4V(53)	CL684-6051-7-53	8.40	5.6	2.0
BM10JC-34DS-0.4V(53)	CL684-6063-6-53	9.20	6.4	2.4
BM10JC-40DS-0.4V(53)	CL684-6053-2-53	10.40	7.6	2.4
BM10JC-44DS-0.4V(53)	CL684-6073-0-53	11.20	8.4	2.8
BM10JC-50DS-0.4V(53)	CL684-6065-1-53	12.40	9.6	2.8
BM10JC-60DS-0.4V(53)	CL684-6055-8-53	14.40	11.6	3.2

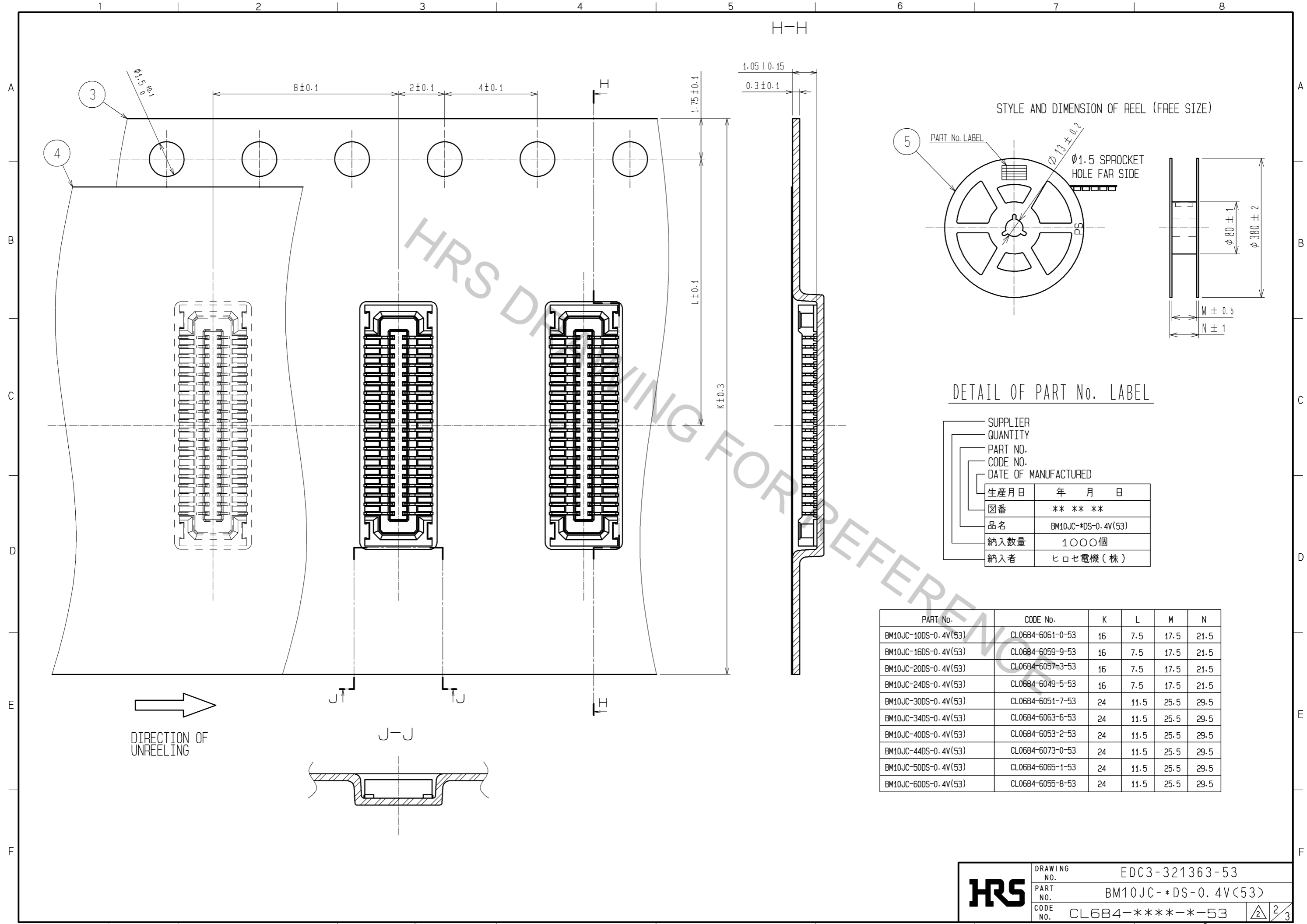
NO.	MATERIAL	FINISH	REMARKS	NO.	MATERIAL	FINISH	REMARKS
2	PHOSPHOR BRONZE	4		5	PS		PLASTIC REEL (BLACK)
1	LCP		UL94V-0. BLACK	4	POLYESTER		CLEAR(COVER TAPE)
				3	PS		CLEAR(EMBOSS CARRIER TAPE)

UNITS	SCALE	COUNT	DESCRIPTION OF REVISIONS	DESIGNED	CHECKED	DATE
mm	10:1	2	DIS-H-004685	KR. AJITO	TS. MIYAZAKI	10.03.27

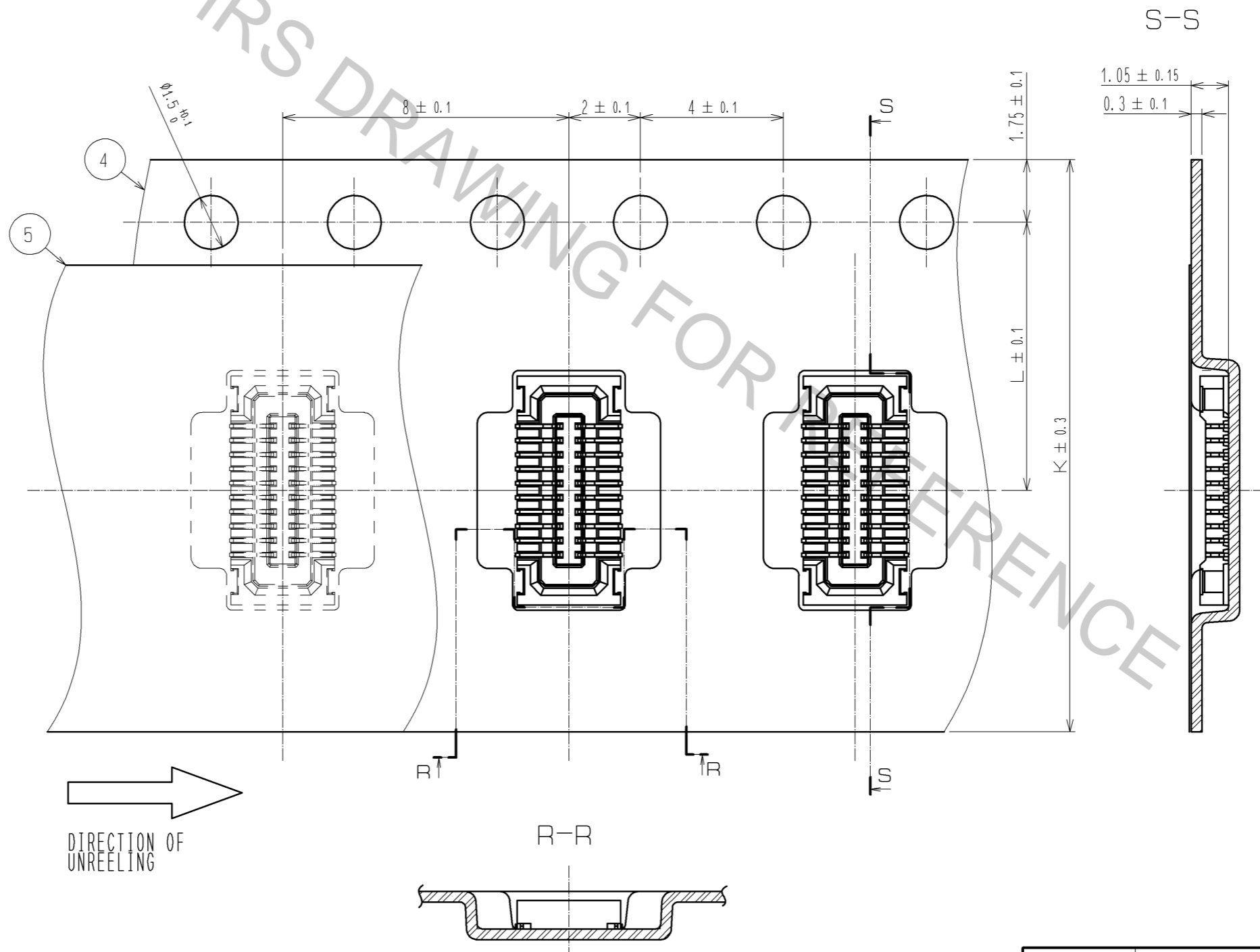
APPROVED	DATE	DRAWING NO.
KH. IKEDA	09.06.09	EDC3-321363-53
CHECKED	DATE	PART NO.
KY. MIDORIKAWA	09.06.09	BM10JC-**-DS-0.4V(53)
DESIGNED	DATE	CODE NO.
SH. HOSODA	09.06.08	CL684-****-*-53
DRAWN	DATE	
SH. HOSODA	09.03.03	



PART No.	CODE No.	K	L	M	N
BM10JC-10DS-0.4V(53)	CL0684-6061-0-53	16	7.5	17.5	21.5
BM10JC-16DS-0.4V(53)	CL0684-6059-9-53	16	7.5	17.5	21.5
BM10JC-20DS-0.4V(53)	CL0684-6057-3-53	16	7.5	17.5	21.5
BM10JC-24DS-0.4V(53)	CL0684-6049-5-53	16	7.5	17.5	21.5
BM10JC-30DS-0.4V(53)	CL0684-6051-7-53	24	11.5	25.5	29.5
BM10JC-34DS-0.4V(53)	CL0684-6063-6-53	24	11.5	25.5	29.5
BM10JC-40DS-0.4V(53)	CL0684-6053-2-53	24	11.5	25.5	29.5
BM10JC-44DS-0.4V(53)	CL0684-6073-0-53	24	11.5	25.5	29.5
BM10JC-50DS-0.4V(53)	CL0684-6065-1-53	24	11.5	25.5	29.5
BM10JC-60DS-0.4V(53)	CL0684-6055-8-53	24	11.5	25.5	29.5

<b>HRS</b>	DRAWING NO.	EDC3-321363-53
	PART NO.	BM10JC-*DS-0.4V(53)
	CODE NO.	CL684-****-*53
		2/3

6 EMBOSS CASE OF LESS THAN OR EQUAL TO 20 PINS CONNECTORS



<b>HRS</b>	DRAWING NO.	EDC3-321363-53	3/3
	PART NO.	BM10JC-*DS-0.4V(53)	
	CODE NO.	CL-684-****-*53	

Apr.1.2017 Copyright 2017 HIROSE ELECTRIC CO., LTD. All Rights Reserved.