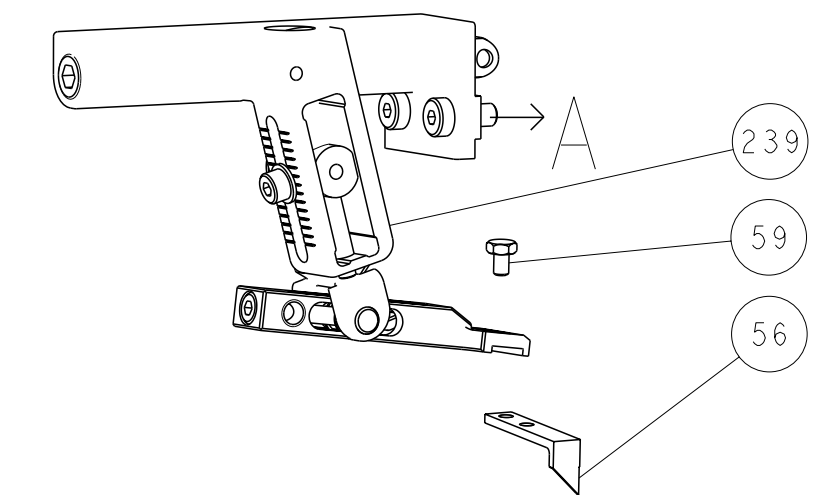
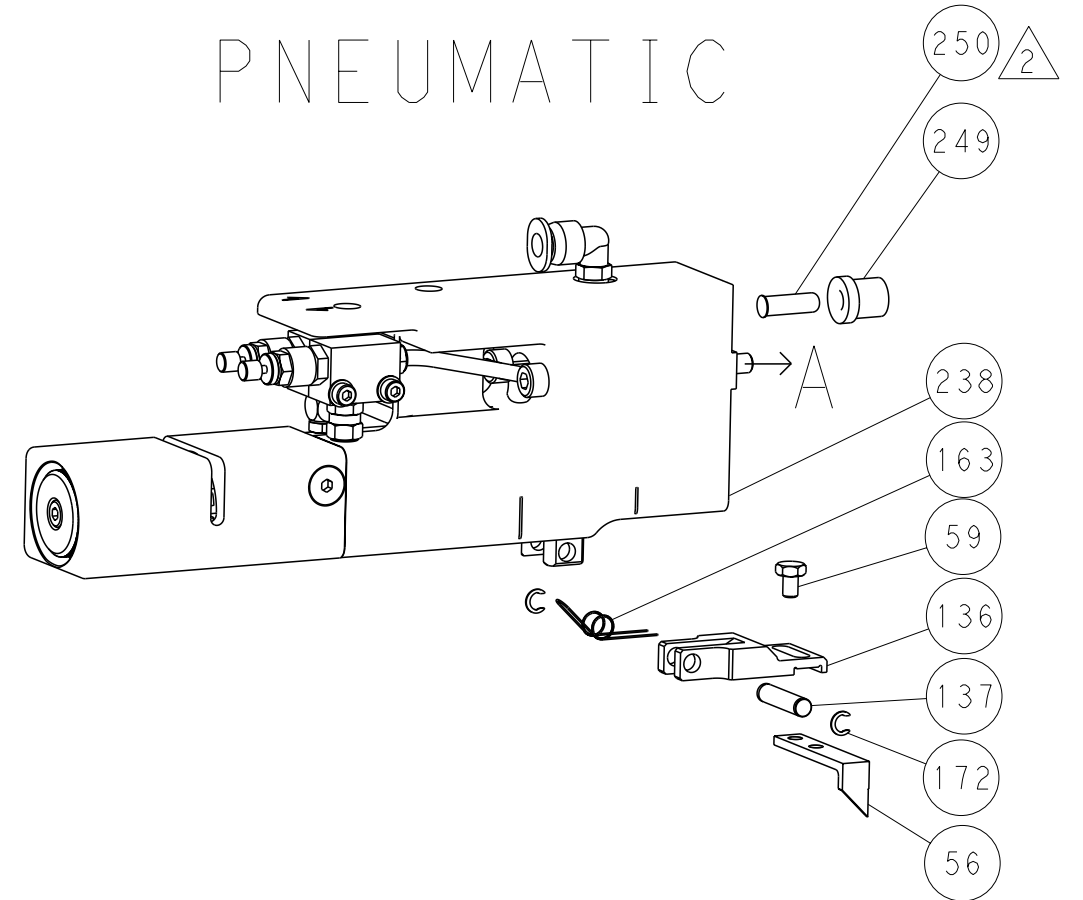


LOC	DIST	REV	DESCRIPTION	DATE	DWN	APVD
A	66		SEE SHEET 1			

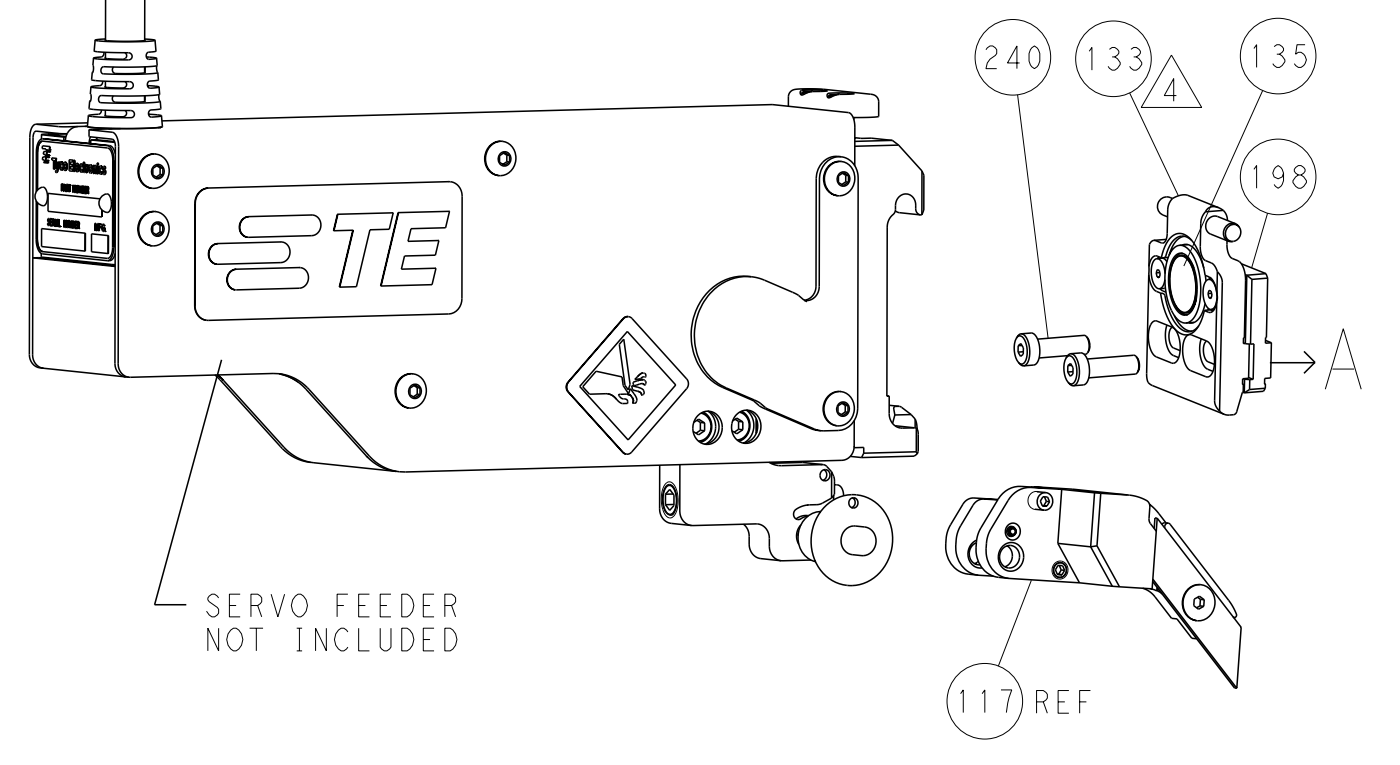
FEED TYPE MECHANICAL



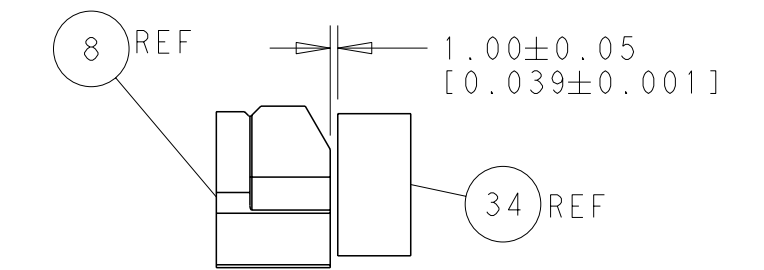
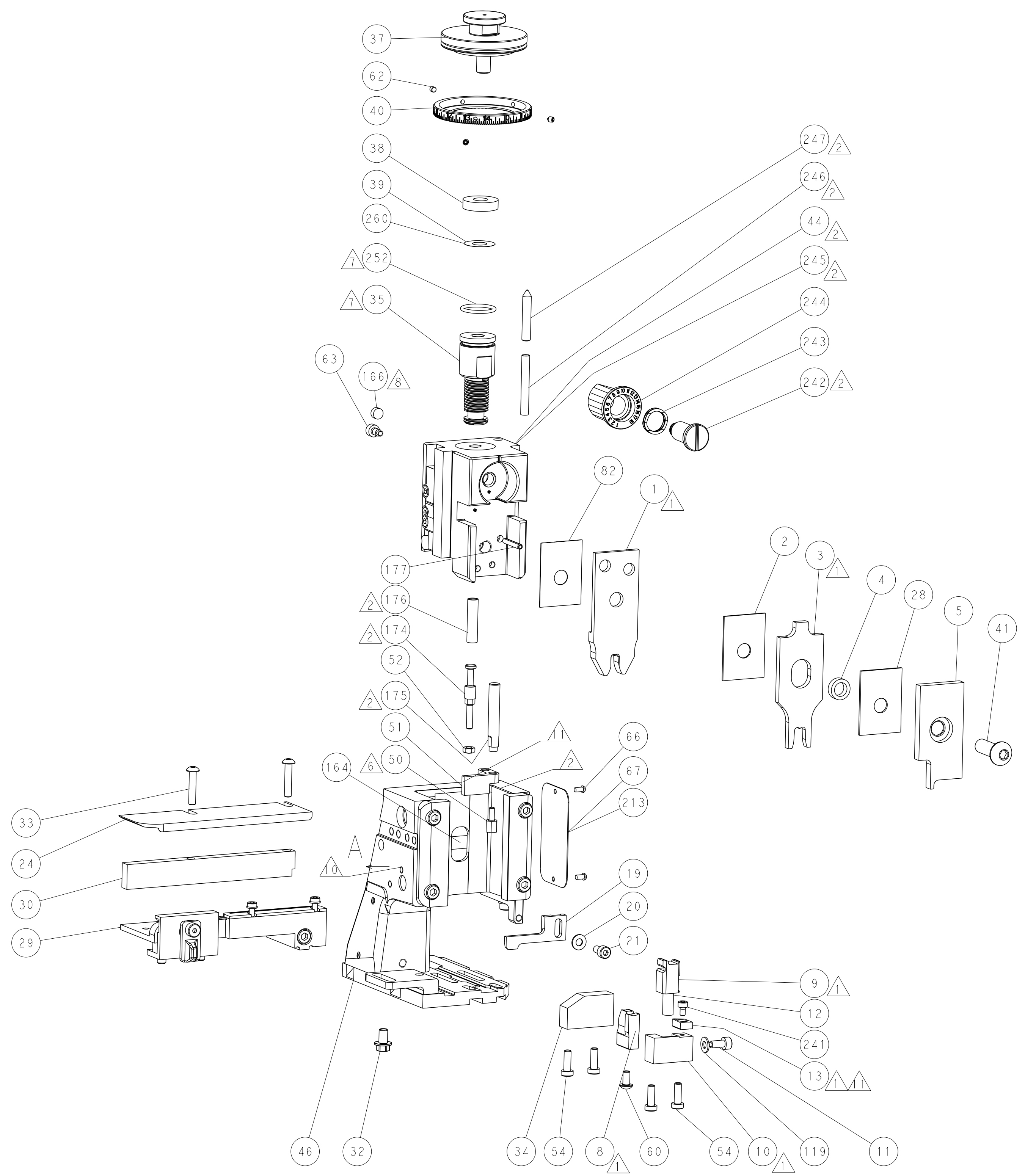
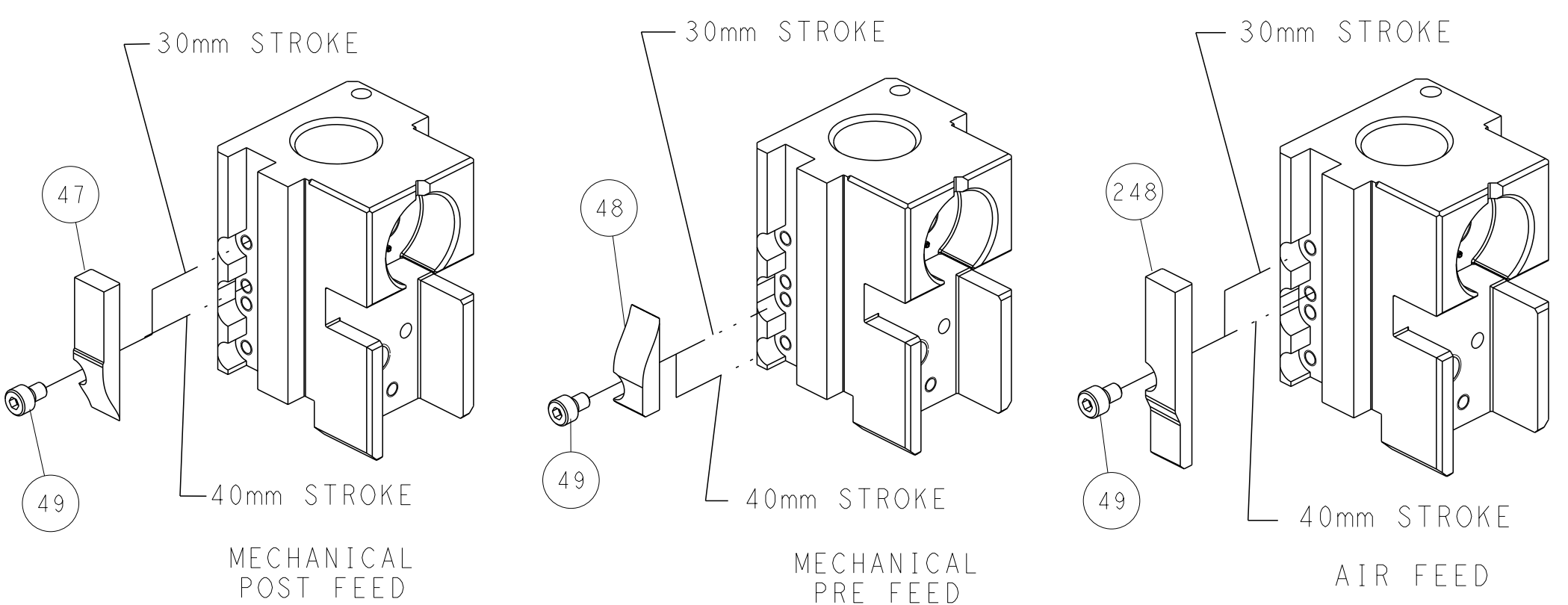
PNEUMATIC



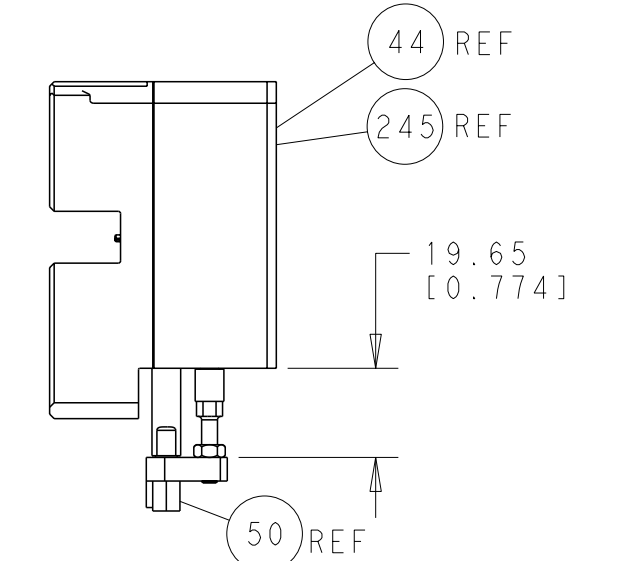
SERVO LATCH PLATE



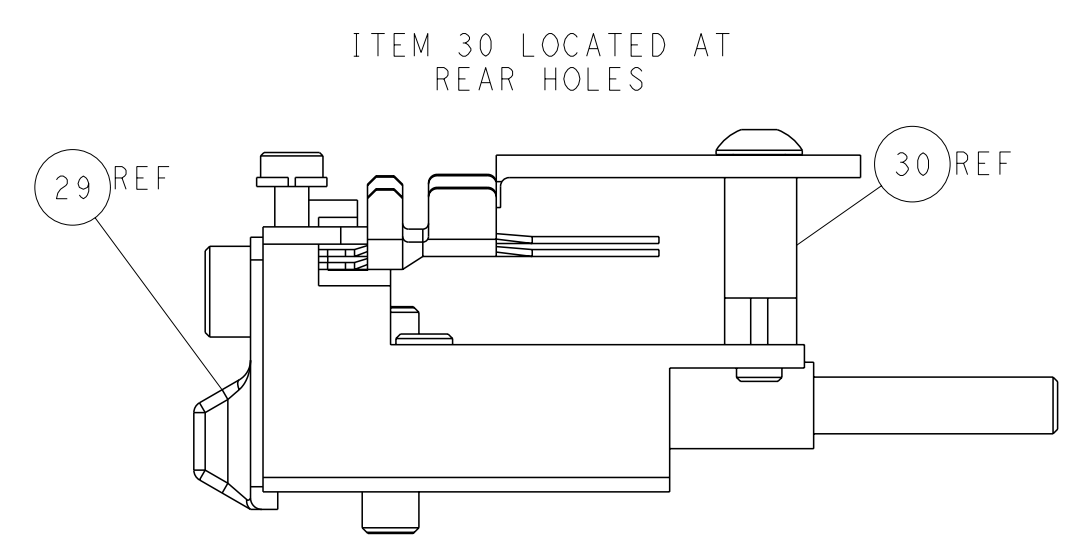
CAM POSITIONS



TERMINAL SUPPORT LOCATION



HOLDDOWN SET-UP



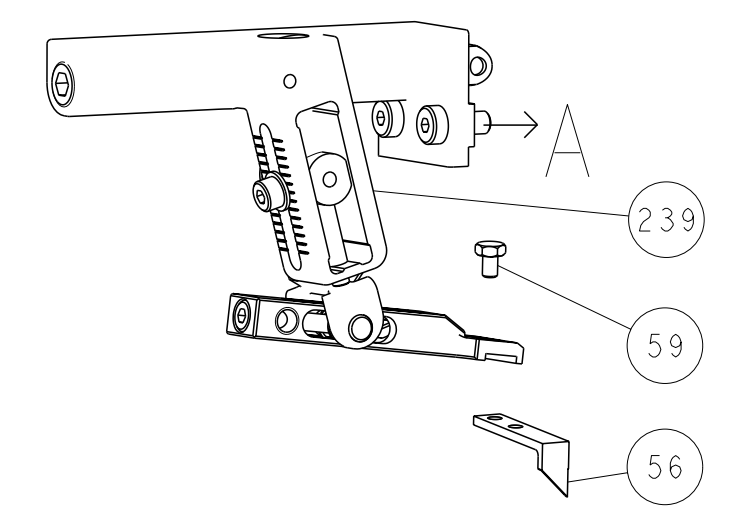
FEED TRACK POSITION GUIDE BY WIRE BARREL

ATLANTIC VERSION
 Shown on sheets 1 of 4 & 2 of 4
 (Pacific version shown on sheets 3 of 4 & 4 of 4)

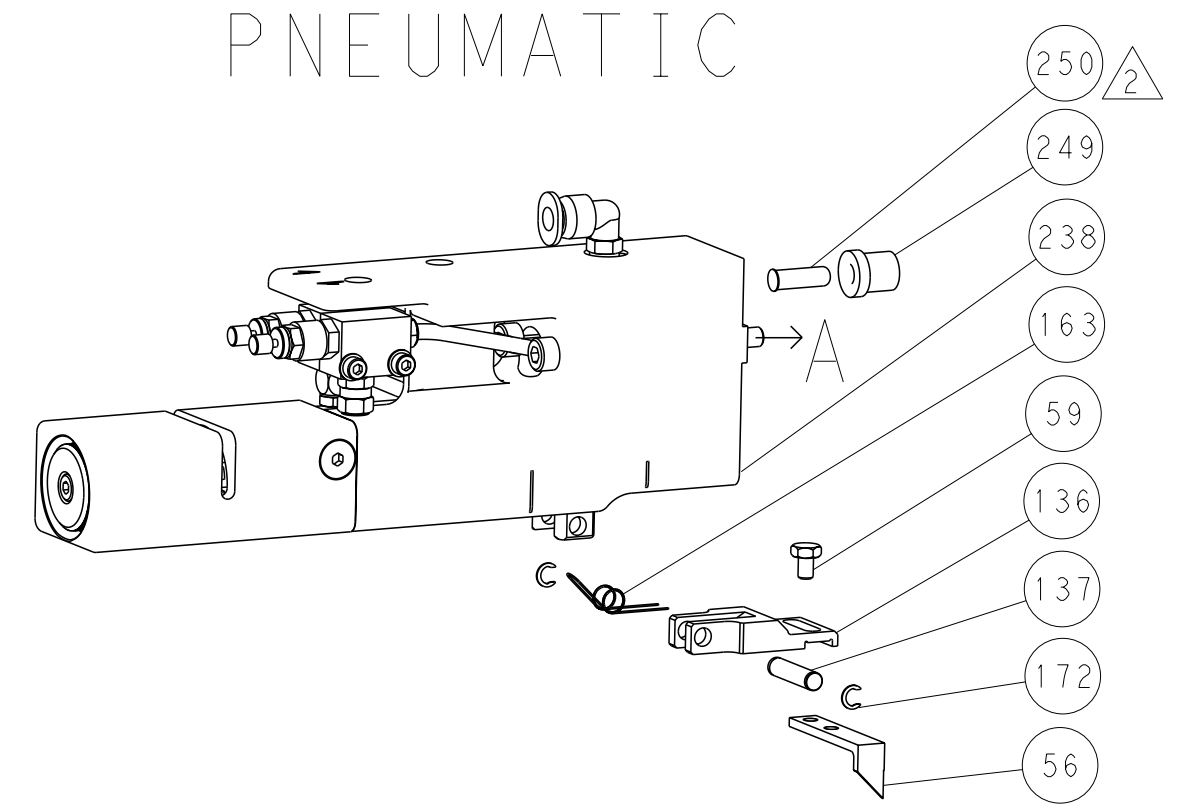
DIMENSIONS: mm 		TOLERANCES UNLESS OTHERWISE SPECIFIED: 9 PLC ± .5 1 PLC ± 0.13 3 PLC ± 0.013 4 PLC ± 0.001 ANGLES ± .0001		DWN: B. WEAVER 08SEP2011 CHK: G. HOFFNER 08SEP2011 APVD: T. ELBIN 08SEP2011		NAME: Ocean Side Feed Applicator SIZE: A11 CAGE CODE: 00779 DRAWING NO: C-2151343		RESTRICTED TO: - SCALE: 1:2 SHEET: 2 OF 4 REV: A	
MATERIAL: - FINISH: -				WEIGHT: - CUSTOMER ACCESSIBLE PRODUCTION DRAWING		TE Connectivity Harrisburg, PA 17105-3608 SHEETS 3 & 4 ARE NOT REQUIRED FOR ATLANTIC VERSION			

LOC	DIST	REV	DESCRIPTION	DATE	OWN	APVD
A	66		SEE SHEET 1			

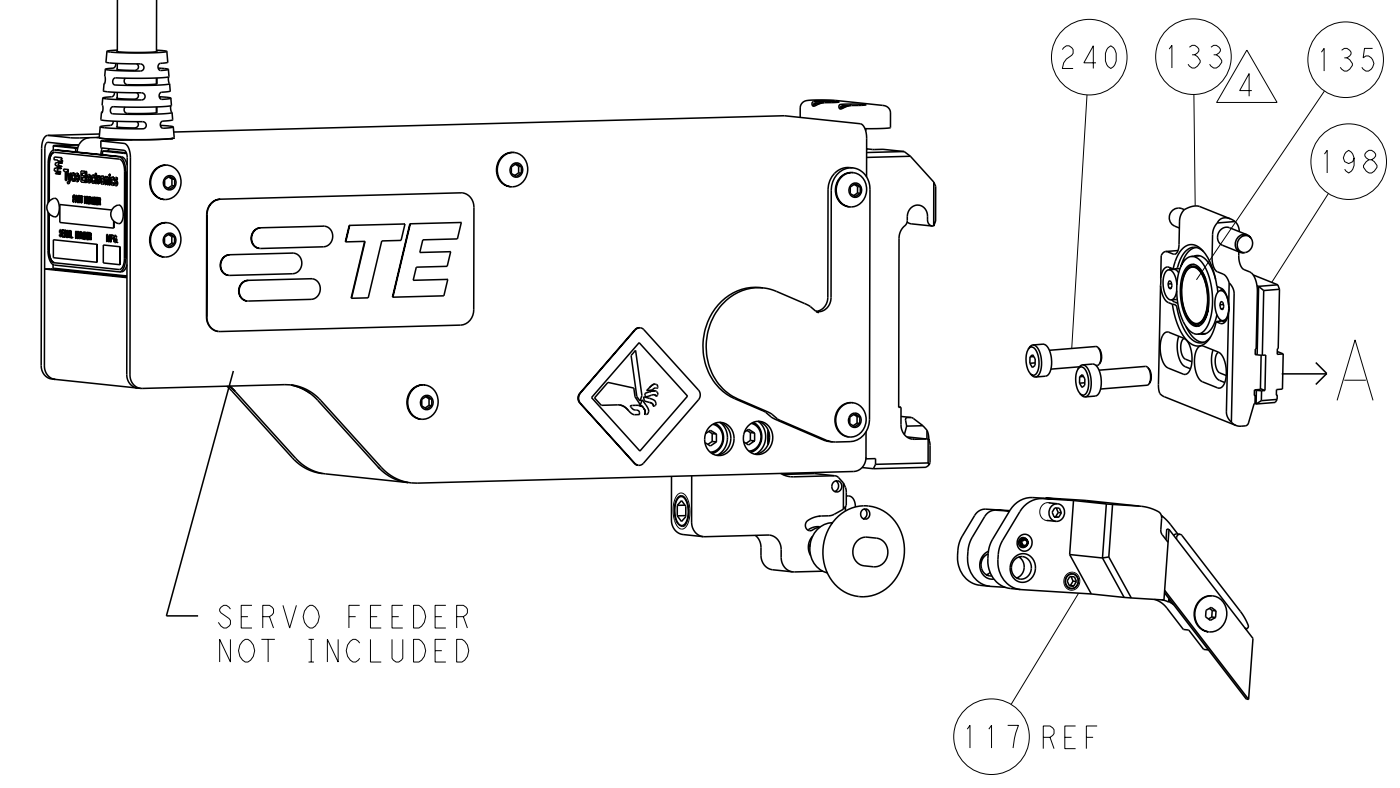
FEED TYPE MECHANICAL



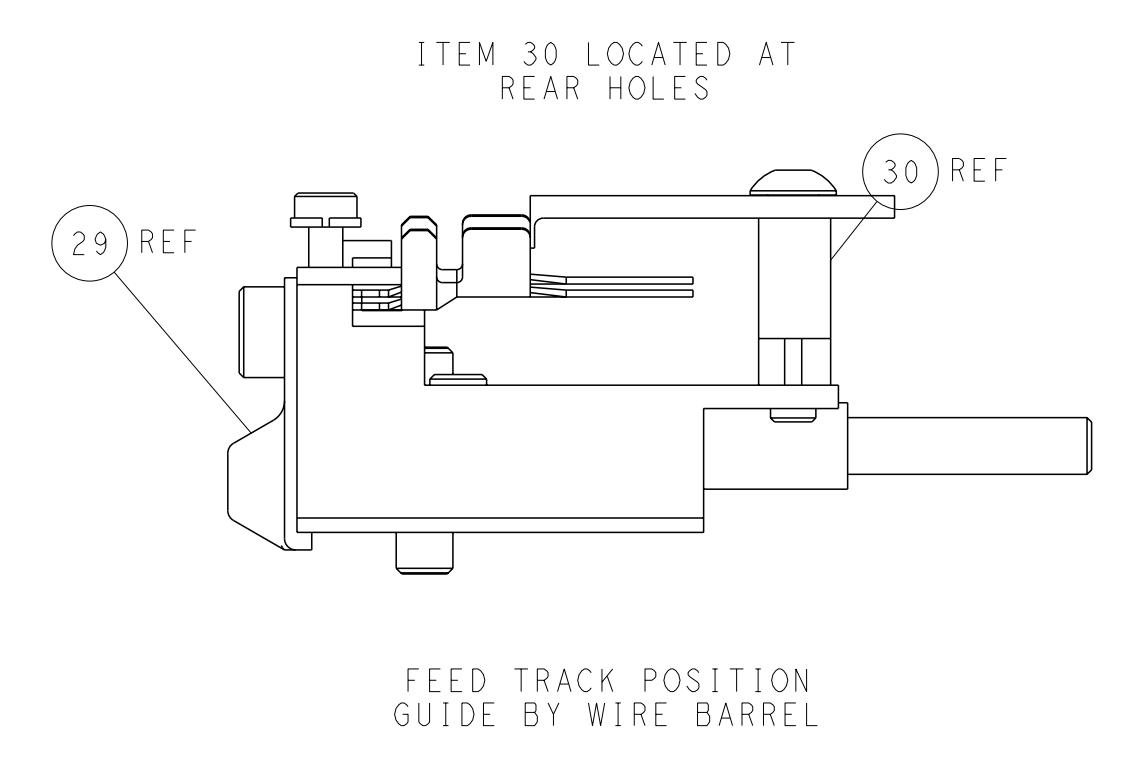
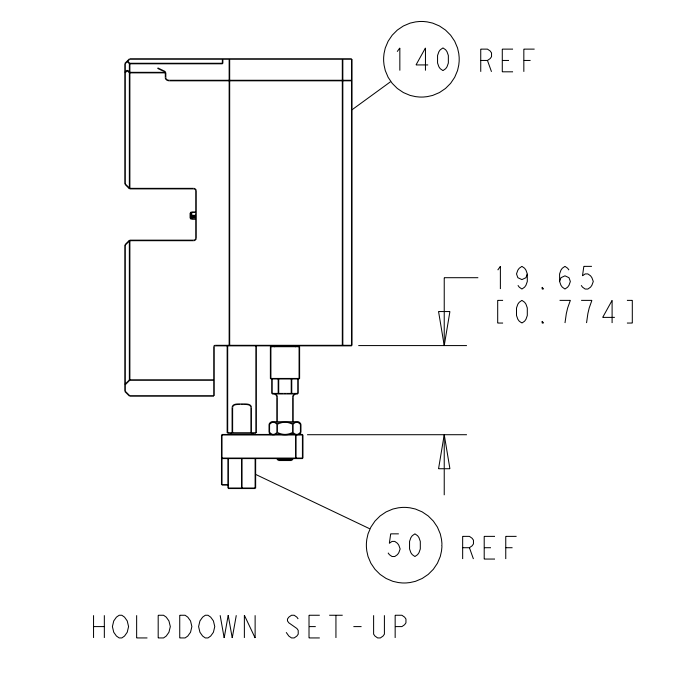
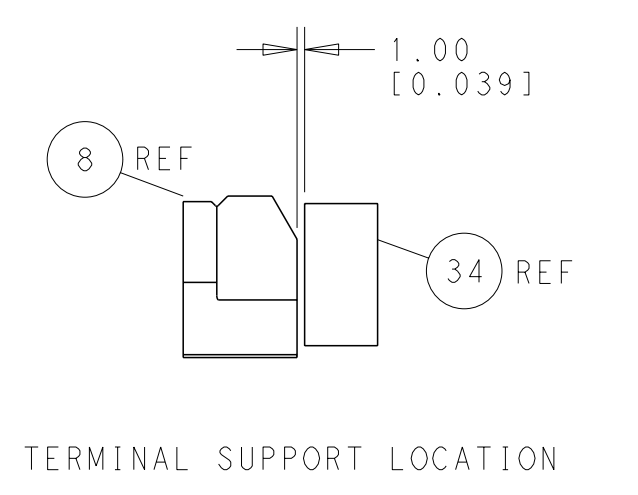
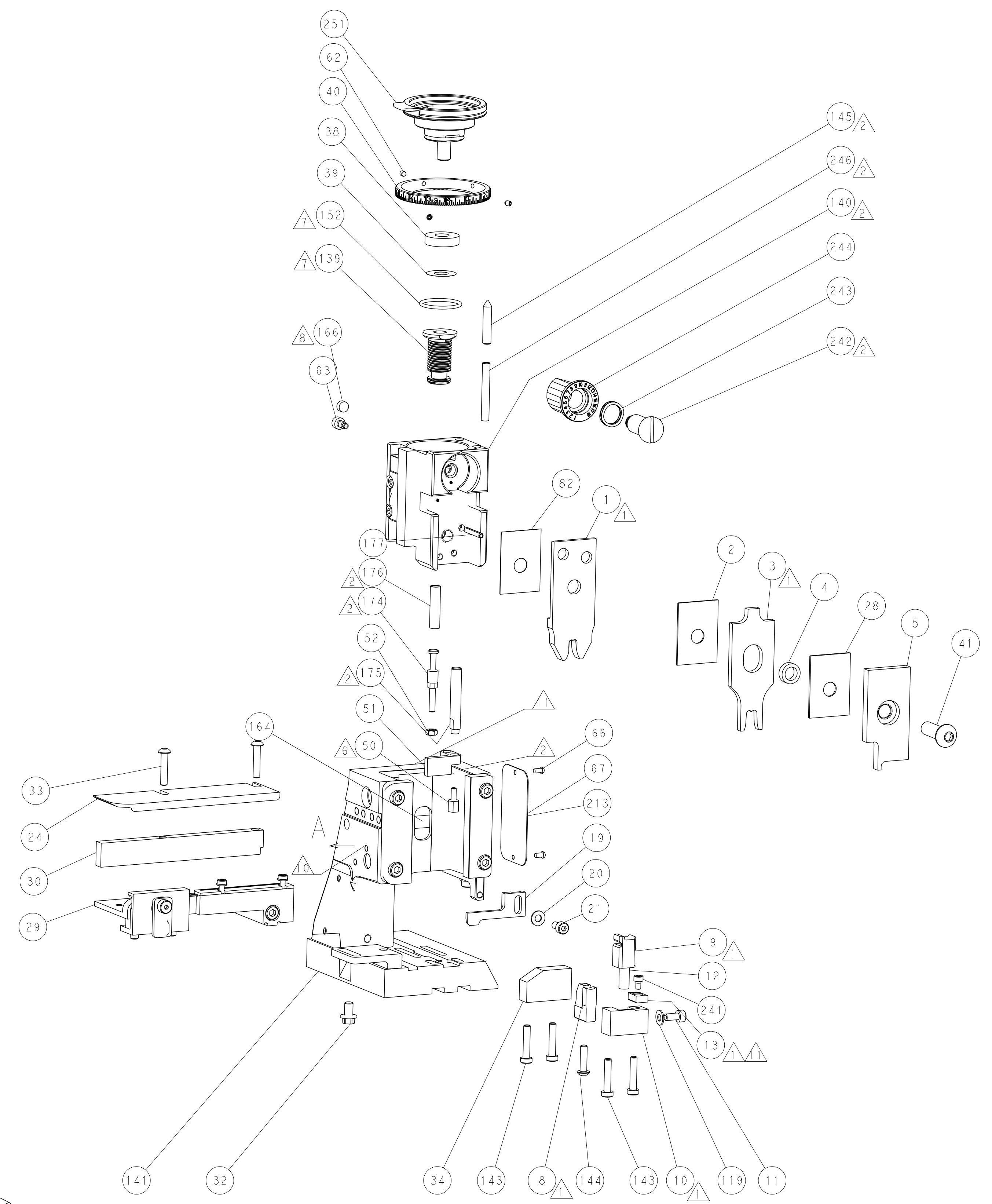
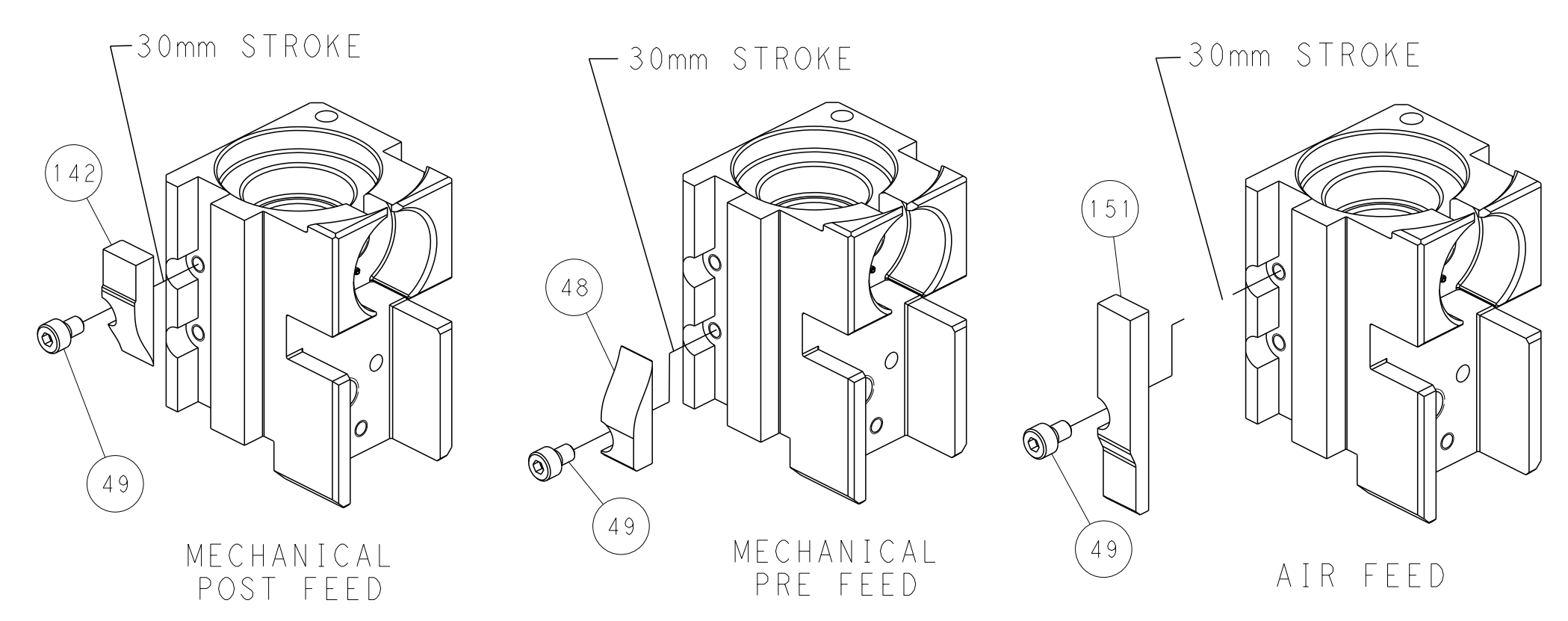
PNEUMATIC



SERVO LATCH PLATE



CAM POSITIONS



PACIFIC VERSION
 Shown on sheets 3 of 4 & 4 of 4
 (Atlantic version shown on sheets 1 of 4 & 2 of 4)

DIMENSIONS: mm 		TOLERANCES UNLESS OTHERWISE SPECIFIED: 9 PLC ±.5 1 PLC ±0.5 2 PLC ±0.13 3 PLC ±0.13 4 PLC ±0.013 5 PLC ±0.001 ANGLES FINISH ±.		DWN: B. WEAVER 08SEP2011 CHK: G. HOFFNER 08SEP2011 APVD: T. ELBIN 08SEP2011		NAME: TE Connectivity Harrisburg, PA 17105-3608	
MATERIAL:		WEIGHT:		SIZE: CAGE CODE: DRAWING NO: A1 00779 C-2151343		RESTRICTED TO:	
CUSTOMER ACCESSIBLE PRODUCTION DRAWING		SCALE: 1:2		SHEET: 4 OF 4		REV: A	