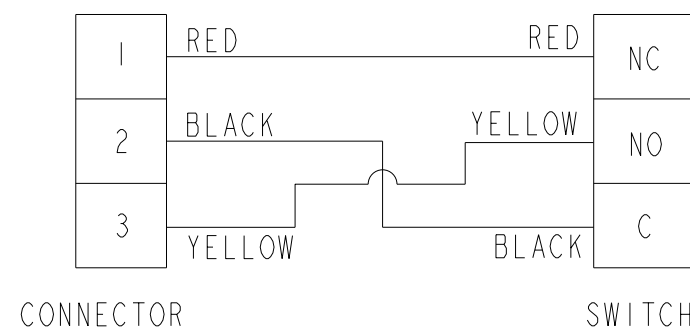


M

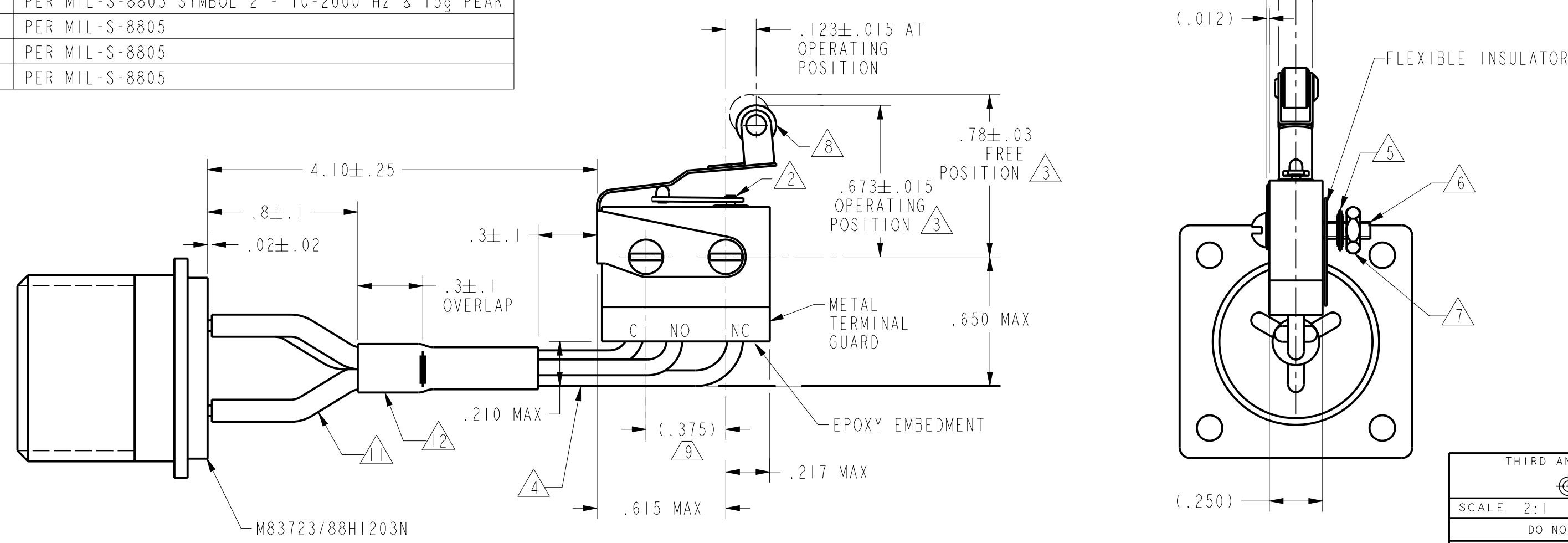
38HM45

SPECIFICATION DETAILS:																						
STANDARD:	$\Delta 13$																					
CONSTRUCTION:																						
ENCLOSURE DESIGN	HERMETIC SEAL																					
CONTACT MATERIAL & CONFIGURATION	SILVER																					
CIRCUIT CONFIGURATION	SEE CIRCUIT DIAGRAM																					
TERMINATION	SEE DRAWING																					
WEIGHT																						
EXPOSED METALS	CORROSION RESISTANT STAINLESS STEEL																					
ELECTRICAL CHARACTERISTICS:																						
CONTACT ARRANGEMENT	S.P.N.C.																					
ELECTRICAL RATINGS	<table border="1"> <tr> <td>LOAD</td> <td>SEA LEVEL</td> <td>70,000 FT</td> </tr> <tr> <td></td> <td>28 VDC</td> <td>115 VAC, 400 CPS</td> </tr> <tr> <td></td> <td></td> <td>28 VDC</td> </tr> <tr> <td>RESISTIVE</td> <td>4 AMP</td> <td>2 AMP</td> </tr> <tr> <td>INDUCTIVE</td> <td>2 AMP</td> <td>2 AMP</td> </tr> <tr> <td>LAMP</td> <td>1 AMP</td> <td>.5 AMP</td> </tr> <tr> <td></td> <td></td> <td>1 AMP</td> </tr> </table>	LOAD	SEA LEVEL	70,000 FT		28 VDC	115 VAC, 400 CPS			28 VDC	RESISTIVE	4 AMP	2 AMP	INDUCTIVE	2 AMP	2 AMP	LAMP	1 AMP	.5 AMP			1 AMP
LOAD	SEA LEVEL	70,000 FT																				
	28 VDC	115 VAC, 400 CPS																				
		28 VDC																				
RESISTIVE	4 AMP	2 AMP																				
INDUCTIVE	2 AMP	2 AMP																				
LAMP	1 AMP	.5 AMP																				
		1 AMP																				
DIELECTRIC STRENGTH & INSULATION RES (BASIC SWITCH)																						
	<table border="1"> <tr> <td>DIELECTRIC STRENGTH</td> <td>INSULATION RESISTANCE</td> </tr> <tr> <td>(<math>\approx 60</math> Hz FOR 5 SECONDS)</td> <td>(500 VDC <math>\pm 10\%</math>)</td> </tr> <tr> <td>-BETWEEN TERMINALS AND EXPOSED NON-CURRENT CARRYING METAL</td> <td>1000 V Rms, 500 <math>\mu</math> A (MAX LEAKAGE) 1000 Megohm MIN</td> </tr> <tr> <td>-BETWEEN TERMINALS OF MUTUALLY INSULATED CIRCUITS</td> <td>1000 V Rms, 500 <math>\mu</math> A (MAX LEAKAGE) 1000 Megohm MIN</td> </tr> <tr> <td>-BETWEEN ALL UNCONNECTED TERMINALS OF THE SAME POLE</td> <td>1000 V Rms, 500 <math>\mu</math> A (MAX LEAKAGE) 1000 Megohm MIN</td> </tr> </table>	DIELECTRIC STRENGTH	INSULATION RESISTANCE	( $\approx 60$ Hz FOR 5 SECONDS)	(500 VDC $\pm 10\%$ )	-BETWEEN TERMINALS AND EXPOSED NON-CURRENT CARRYING METAL	1000 V Rms, 500 $\mu$ A (MAX LEAKAGE) 1000 Megohm MIN	-BETWEEN TERMINALS OF MUTUALLY INSULATED CIRCUITS	1000 V Rms, 500 $\mu$ A (MAX LEAKAGE) 1000 Megohm MIN	-BETWEEN ALL UNCONNECTED TERMINALS OF THE SAME POLE	1000 V Rms, 500 $\mu$ A (MAX LEAKAGE) 1000 Megohm MIN											
DIELECTRIC STRENGTH	INSULATION RESISTANCE																					
( $\approx 60$ Hz FOR 5 SECONDS)	(500 VDC $\pm 10\%$ )																					
-BETWEEN TERMINALS AND EXPOSED NON-CURRENT CARRYING METAL	1000 V Rms, 500 $\mu$ A (MAX LEAKAGE) 1000 Megohm MIN																					
-BETWEEN TERMINALS OF MUTUALLY INSULATED CIRCUITS	1000 V Rms, 500 $\mu$ A (MAX LEAKAGE) 1000 Megohm MIN																					
-BETWEEN ALL UNCONNECTED TERMINALS OF THE SAME POLE	1000 V Rms, 500 $\mu$ A (MAX LEAKAGE) 1000 Megohm MIN																					
SWITCH RESISTANCE	N/A																					
RECOMMENDATION OR USE IN APPL LESS THAN .5 amps AND/OR 12 volts	N/A $\Delta 14$																					
MECHANICAL CHARACTERISTICS:																						
OPERATING FORCE	9 OZ MAX																					
RELEASE FORCE	2 OZ MIN																					
DIFFERENTIAL TRAVEL	.030 MAX																					
OVERTRAVEL	.030 MIN																					
MOUNTING STRENGTH	N/A																					
LIFE:	$\Delta 13$																					
MECHANICAL LIFE	25,000 MIN																					
ELECTRICAL LIFE AT FULL RATED LOAD	25,000 MIN																					
ENVIRONMENTAL:																						
TEMPERATURE RANGE	-65°F TO +250°F																					
ALTITUDE RANGE	SEA LEVEL TO 70,000 FT																					
SHOCK $\Delta 13$	PER MIL-S-8805 SYMBOL M-100g																					
VIBRATION $\Delta 13$	PER MIL-S-8805 SYMBOL 2 - 10-2000 Hz & 15g PEAK																					
MOISTURE RESISTANCE $\Delta 13$	PER MIL-S-8805																					
THERMAL SHOCK $\Delta 13$	PER MIL-S-8805																					
SALT SPRAY $\Delta 13$	PER MIL-S-8805																					



CIRCUIT DIAGRAM

- NOTES
- UNIT INCLUDES 2HM SERIES TYPE BASIC SWITCH WITH ACTUATOR ASSEMBLED
  - ADJUSTMENT CAUTION: DO NOT ALLOW ACTUATOR LEAF TO COME IN CONTACT WITH FIXED END OF HM LEVER, SEAL DAMAGE MAY OCCUR
  - LEAF ACTUATOR ADJUSTED TO MEET SPECIFIED OPERATING POSITION PRIOR TO DELIVERY. DISASSEMBLY AND SUBSEQUENT REASSEMBLY MAY ALTER THIS CONDITION
  - 3X NO. 18 WIRE LEAD PER MIL-W-22759/11 (RED N.C., BLACK COM. YELLOW N.O.)
  - 2X CORROSION RESISTANT STEEL LOCKWASHER
  - 2X 2-56 UNC X .500 CORROSION RESISTANT STEEL ROUND HEAD MACHINE SCREW
  - 2X 2-56 UNC CORROSION RESISTANT STEEL HEX NUT
  - $\varnothing .19$  X  $.12$  WIDE CORROSION RESISTANT STEEL ROLLER (CONCENTRICITY  $.005$  FIM)
  - HOLES THROUGH ACTUATOR WILL SIMULTANEOUS ACCEPT  $\varnothing .087$  MIN PINS ON  $.375 \pm .002$  CENTERS
  - INSULATION RESISTANCE BETWEEN EITHER PIN AND CONNECTOR SHELL MUST BE 100 MEGOHMS MIN AT 500 VDC
  - 3X HEAT SHRINK TUBING PER M23053/12-312-C OR EQUIVALENT
  - HEAT SHRINK TUBING PER M23053/12-325-C OR EQUIVALENT
  - BASIC SWITCH IS CATEGORY II DEVICE PER MIL-S-8805/8
  - CONTACT HONEYWELL/MICRO SWITCH IF ADDITIONAL INFORMATION ON LOW ENERGY LOADS IS REQUIRED OR FOR HELP WITH SPECIFIC APPLICATIONS



38HM45  
 DRAWING NUMBER  
 ISSUE 5  
 P.T.C./CAD 20  
 DRAWN  
 CS1 21 FEB 03 CHECK SAV 21 FEB 03 CHECK  
 RELEASE NO. PR-22237  
 REPLACES X100922-HM  
 PAGE 1 OF 1

REVISIONS	DATE	BY	CHKD
A	207497		
B	207593		
C	21 FEB 03		
D	6 MAR 03		

THIS DRAWING COVERS A PROPRIETARY ITEM AND IS THE PROPERTY OF MICRO SWITCH, A DIVISION OF HONEYWELL. THIS DRAWING IS NOT TO BE COPIED OR USED WITHOUT THE APPROVAL OF MICRO SWITCH.		
<b>MICRO SWITCH</b> a Honeywell Division	<b>SWITCH AND CONNECTOR ASSEMBLY</b>	CATALOG LISTING <b>38HM45</b>
FED. MFG. CODE 91929		

THIRD ANGLE PROJECTION		
SCALE 2:1		
DO NOT SCALE PRINT		
UNLESS OTHERWISE SPECIFIED TOLERANCES ARE		
ONE PLACE	(.0)	$\pm .030$
TWO PLACES	(.00)	$\pm .015$
THREE PLACES	(.000)	$\pm .005$
ANGLES		$\pm$
WEIGHT		

ANSI Y14.5M-1982 APPLIES