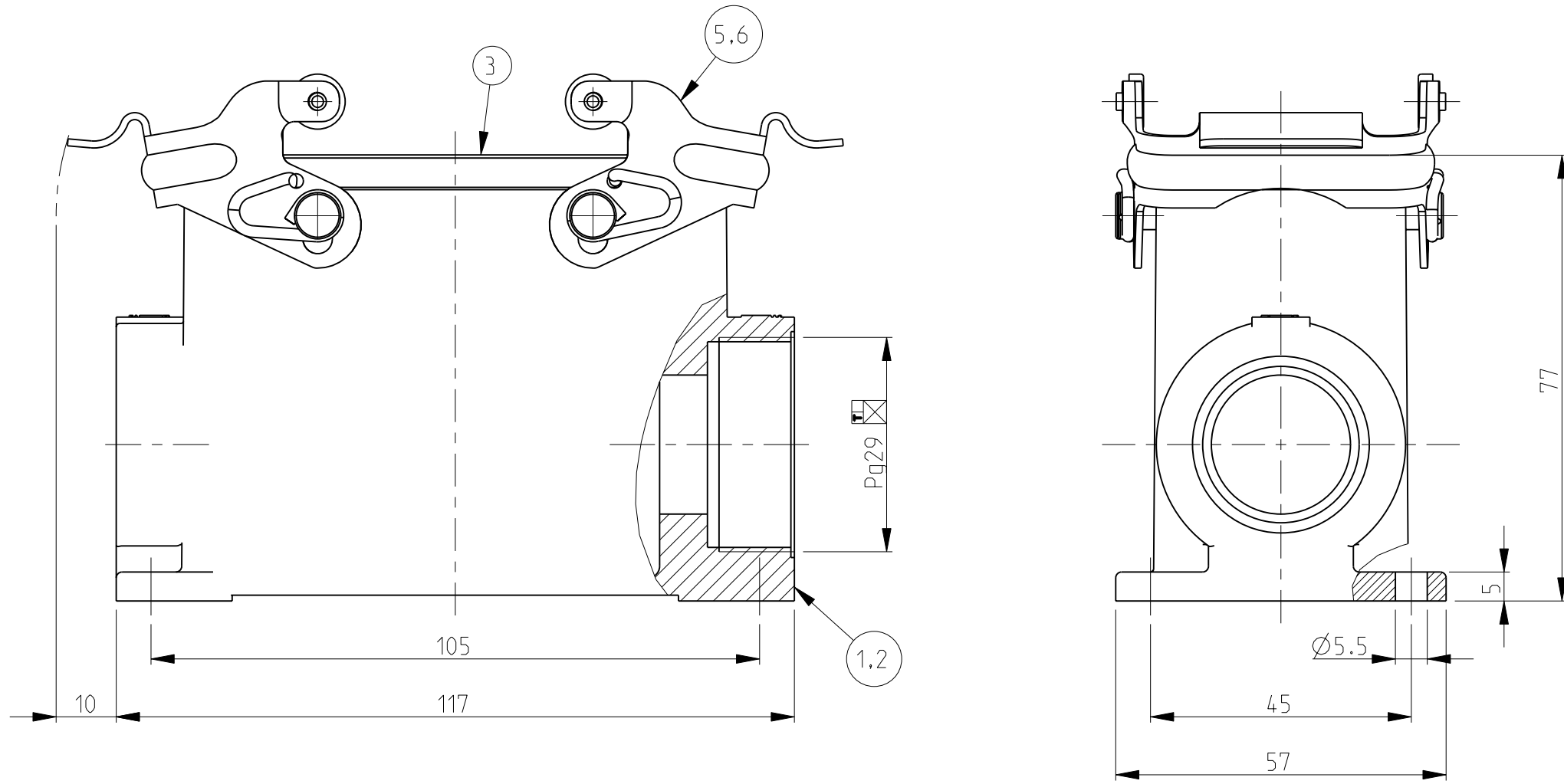


THIS DRAWING IS UNPUBLISHED. RELEASED FOR PUBLICATION .2000.
 © COPYRIGHT 2000 BY TYCO ELECTRONICS CORPORATION. ALL RIGHTS RESERVED.

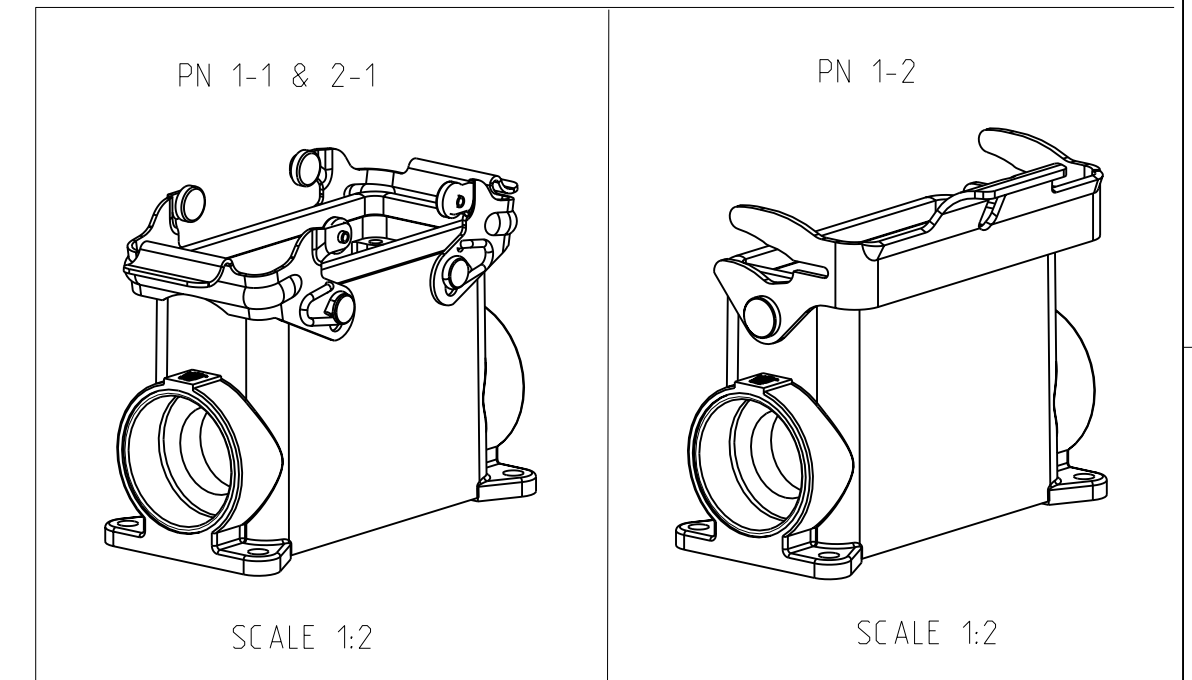
LOC	DIST	REVISIONS					
		P	LTR	DESCRIPTION	DATE	DWN	APVD
A1	-			Released as per ECR-08-015813	23.JUN.2008	SP	TS

PN 1-1 & 2-1

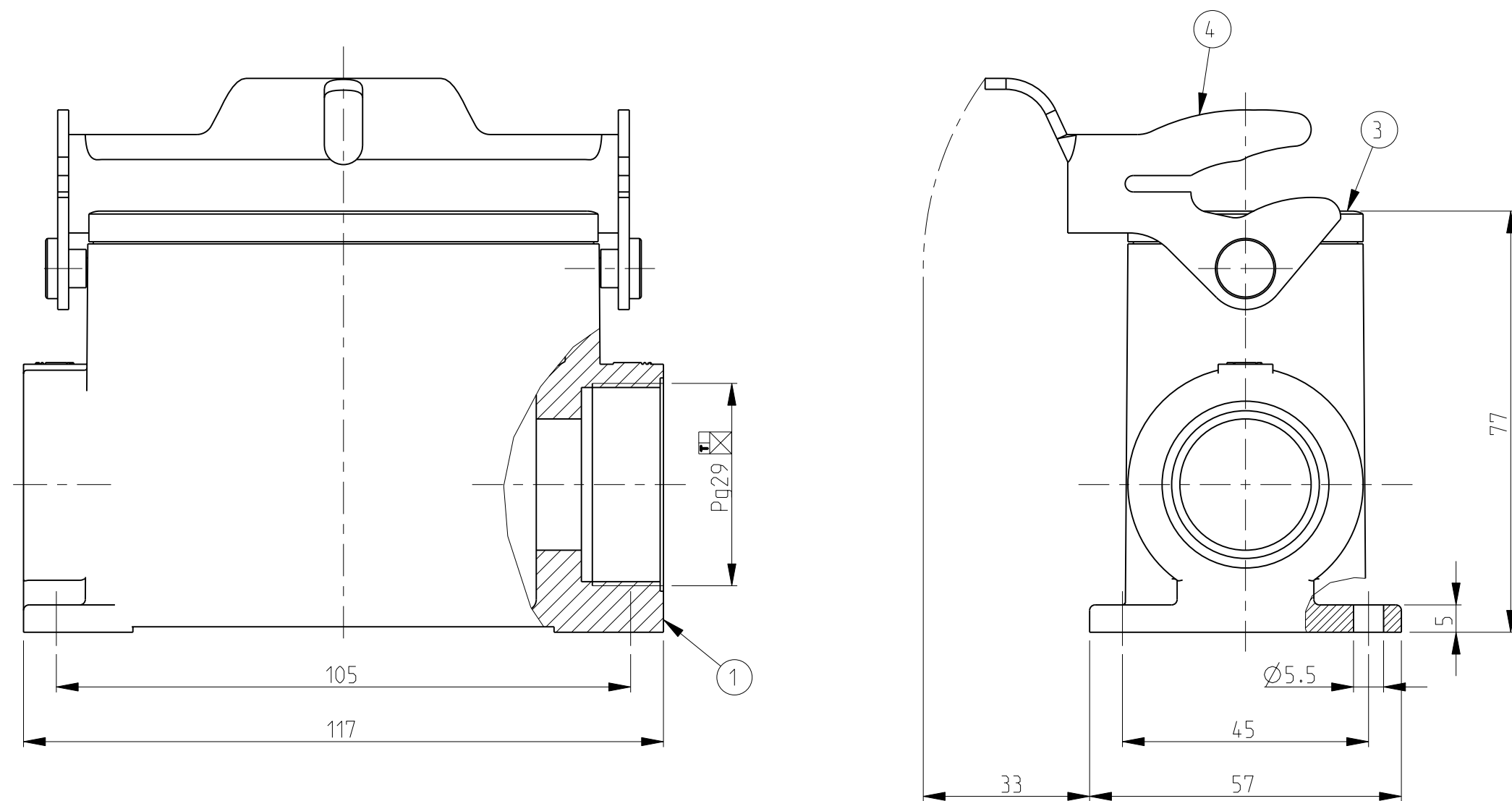


NOTES.

- 1 Material:Housing:Aluminium Diecasting Alloy
Seals:Neoprene
- 2 Surface:Varnish grey
-Aluminium Oxide +Varnish Black
- 3 Varnish on the inside not necessary
- 4 Packaging
Quantity 5 Pieces in a box



PN 1-2



QTY	DESCRIPTION	MATERIAL	SURFACE	COLOR	ITEM NO	REMARKS		
2	Locking clip	Stainless steel	Blank		6			
2	Locking clip	Steel	Zinc plated	Blue	5			
1	LB-Side clip	Steel	Zinc plated	Blue	4			
1	1	1	Profile seal	Neoprene	Black	3		
1	1	1	Surface mounted housing side entry HD-K	Aluminium	Aluminium oxide	Black	2	
1	1	1	Surface mounted housing side entry HD	Aluminium		Grey	1	
1-2	2-1	1-1	DESCRIPTION	MATERIAL	SURFACE	COLOR	ITEM NO	REMARKS
ORDERING TEXT								
HD.40.SG-VS.1.29.Z								
HD-K.40.SG-VS.1.29.Z								
HD.40.SG-LB.1.29.Z								

<small>THIS DRAWING IS A CONTROLLED DOCUMENT FOR TYCO ELECTRONICS CORPORATION IT IS SUBJECT TO CHANGE AND THE CONTROLLING ENGINEERING ORGANIZATION SHOULD BE CONTACTED FOR THE LATEST REVISION.</small>		DWN Schneider 21.08.03 CHK Schneider 21.08.03	Tyco Electronics,AMP.GmbH D-53819,Neunkirchen,Germany
DIMENSIONS: mm	TOLERANCES UNLESS OTHERWISE SPECIFIED: ISO 2768-MS ISO 2768-MX DIN 16901-100	APVD - PRODUCT SPEC - APPLICATION SPEC - WEIGHT -	NAME Surface mounted housing side entry HD.40.SG-VS/LB.1.29.Z SIZE A2 CAGE CODE 00779 DRAWING NO C=1102579
MATERIAL FINISH	0 PLC ± 1 PLC ± 2 PLC ± 3 PLC ± 4 PLC ± ANGLES ±	CUSTOMER DRAWING	RESTRICTED TO - SCALE 1:1 SHEET 1 OF 1 REV A2