

NOTES:

1. MATERIALS AND FINISHES:

BODY - BRASS (ASTM-B16 H02, C36000), NICKEL PLATING  
 CONTACT PIN (N) - BRASS, GOLD PLATING  
 INSULATOR - PTFE PER ASTM D 1710 OR EQUIV.  
 CONTACT PIN (UHF) - BRASS, GOLD PLATING

2. ELECTRICAL:

A. IMPEDANCE: 50 OHM  
 B. FREQUENCY RANGE: DC - 300 MHz

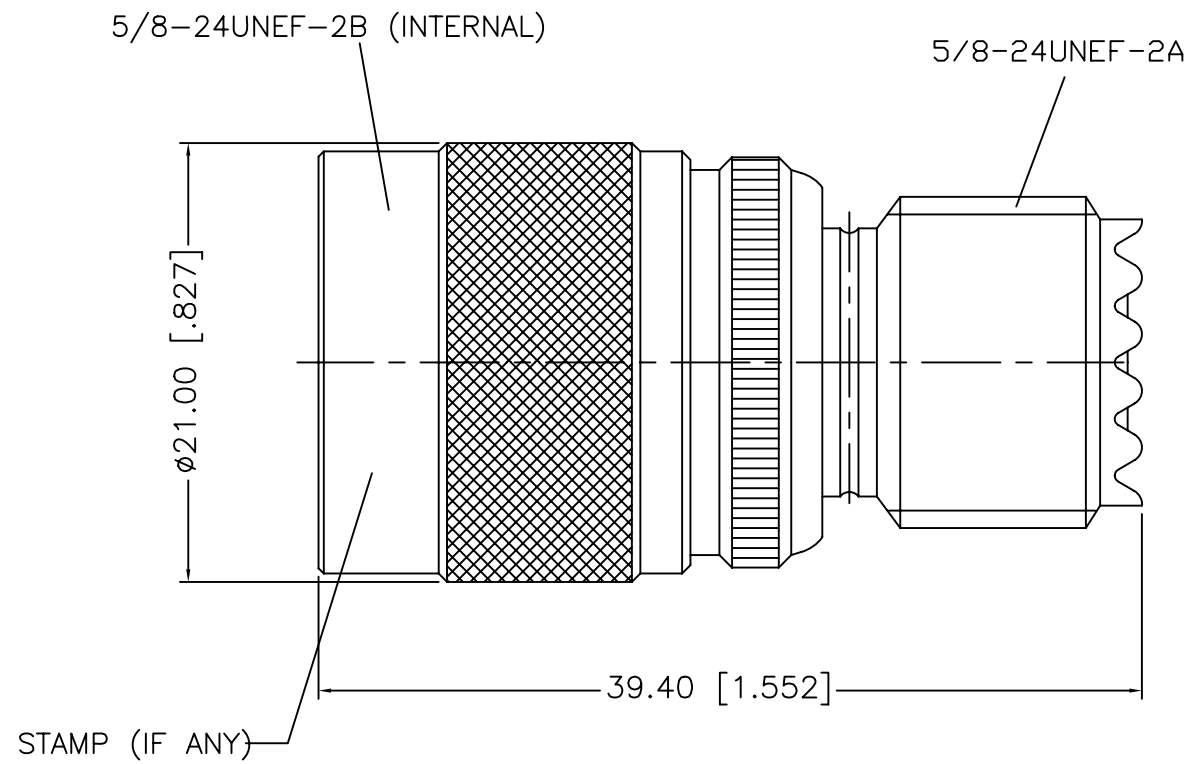
3. MECHANICAL:

A. TEMPERATURE RANGE: -65° C TO +165° C

4. PACKAGING:

A. QUANTITY: SINGLE PACK  
 B. MARKING: BAG TO BE MARKED  
 \*AMPHENOL, APH-NP-UHFJ, AND DATE CODE

APH-NP-UHFJ		REVISIONS			
DRAWING NO.	REV	DESCRIPTION	DATE	ECO	APPR
THIRD ANGLE PROJ.	A	RELEASE TO MFG.	9/12/06	46262	CPM/



UNLESS OTHERWISE SPECIFIED, DIMENSIONS ARE IN INCHES AND TOLERANCES ARE:  
 2 PLACE DECIMAL 3 PLACE DECIMAL ANGLES  
 ±.015 (0,381 mm) ±.005 (0,127 mm) ± 1°

NOTICE - These drawings, specifications, or other data (1) are, and remain the property of Amphenol Corp. (2) must be returned upon request; and (3) are confidential and not to be disclosed to any person other than those to whom they are given by Amphenol Corp. The furnishing of these drawings, specifications, or other data by Amphenol Corp., or to any other person to anyone for any purpose is not to be regarded by implication or otherwise in any manner licensing, granting rights or permitting such holder or any other person to manufacture, use or sell any product, process or design, patented or otherwise, that may in any way be related to or disclosed by said drawings, specifications, or other data.

MATERIAL

REFERENCE

DRAWN	DATE
C. McGRATH	4/29/05
ENGINEER	DATE
D. BARTHELMES	4/29/05
APPROVED	DATE
D. BARTHELMES	9/8/06

TITLE  
**N PLUG TO  
 UHF JACK  
 ADAPTER**

**Amphenol**  
 Amphenol Corporation  
 RF/Microwave Operations  
 Danbury, Conn. U.S.A. 06810

SCALE: 2:1 SHEET OF

CAD FILE H:\DEPT611\ASSY\APH\NP-UHFJ

CODE ID  
 74868

DWG SIZE  
 B

DRAWING NO.  
 APH-NP-UHFJ

ISSUE  
 A