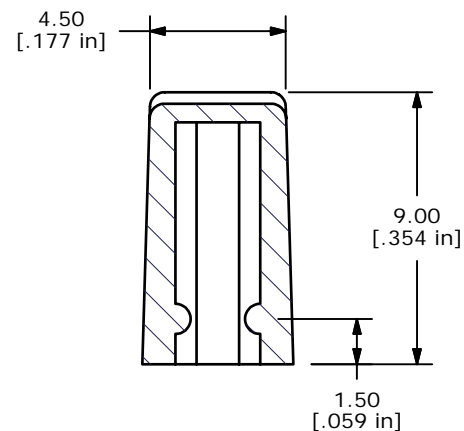
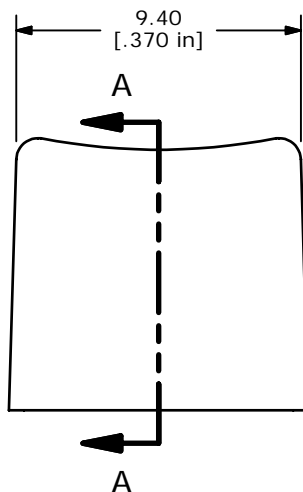
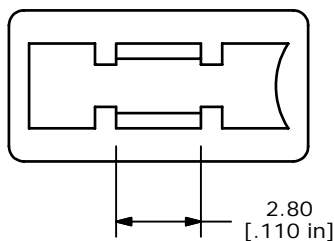


ISOMTRIC



SECTION A-A
SCALE 4 : 1



- NOTES:
1. ALL DIMENSIONS IN MM [INCH]
 2. GENERAL TOLERANCE: X.XX=±0.15
 - ▲ 3. MATERIAL: ABS, UL94V0
 - ▲ 4. COLOR: LIGHT GRAY, PANTONE 423C
 5. ▲ DENOTES CRITICAL PARAMETER.



B	15568	EDIT COLOR NOTE	11/30/05	PH
A	15546	RELEASED FOR PRODUCTION	11/17/05	PH
REV	PCR NO	DESCRIPTION	DATE	BY

TITLE 1CLGR				
SCALE 4:1	DATE 11/17/2005	DR PH	DWG Q800403	REV B

THE INFORMATION CONTAINED IN THIS DOCUMENT IS PROPRIETARY TO E-SWITCH AND IS NOT TO BE COPIED OR TRANSFERRED