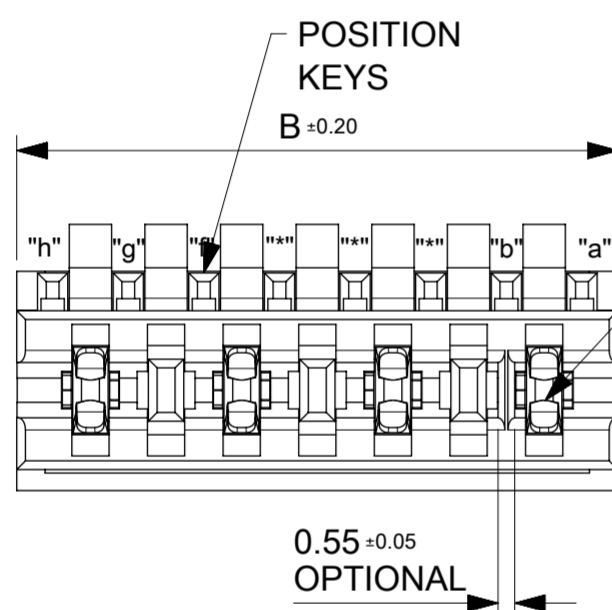
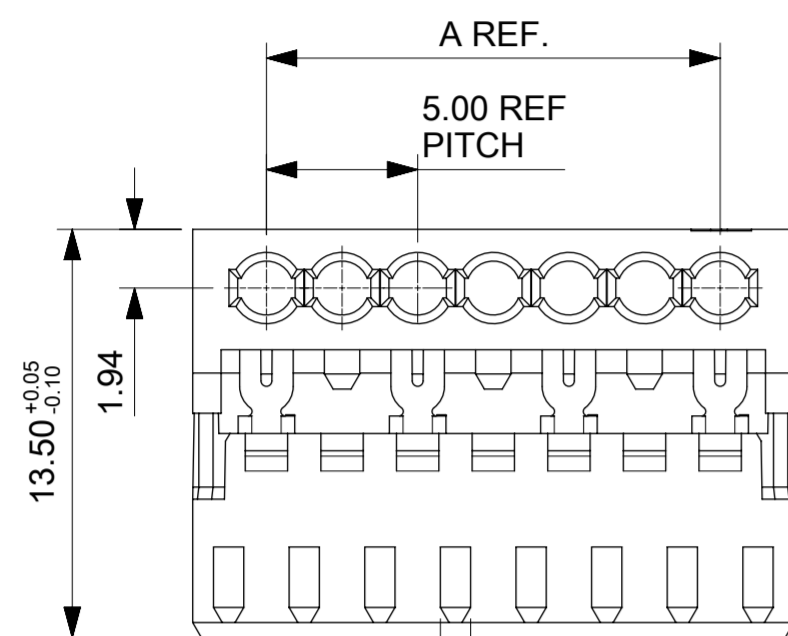
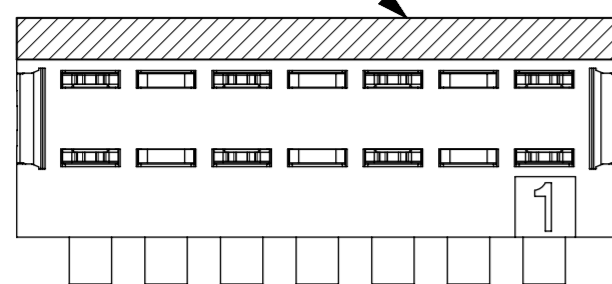
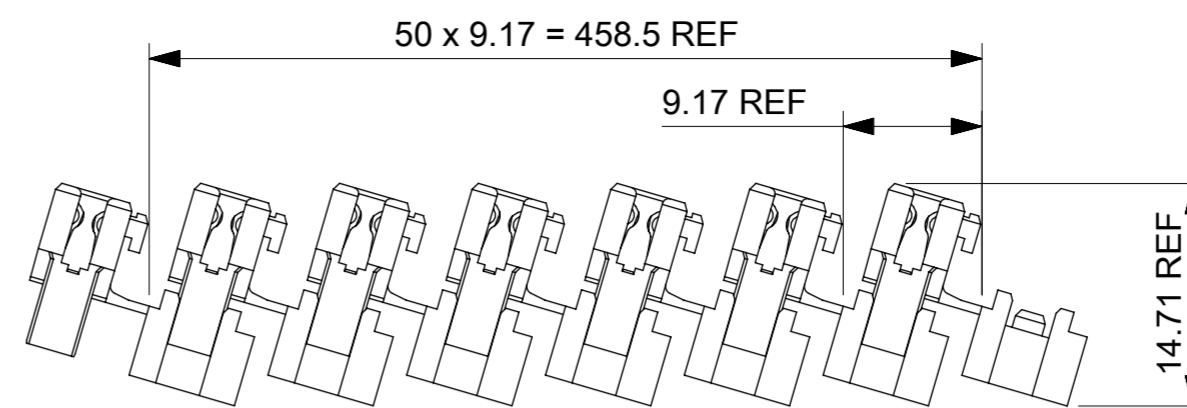
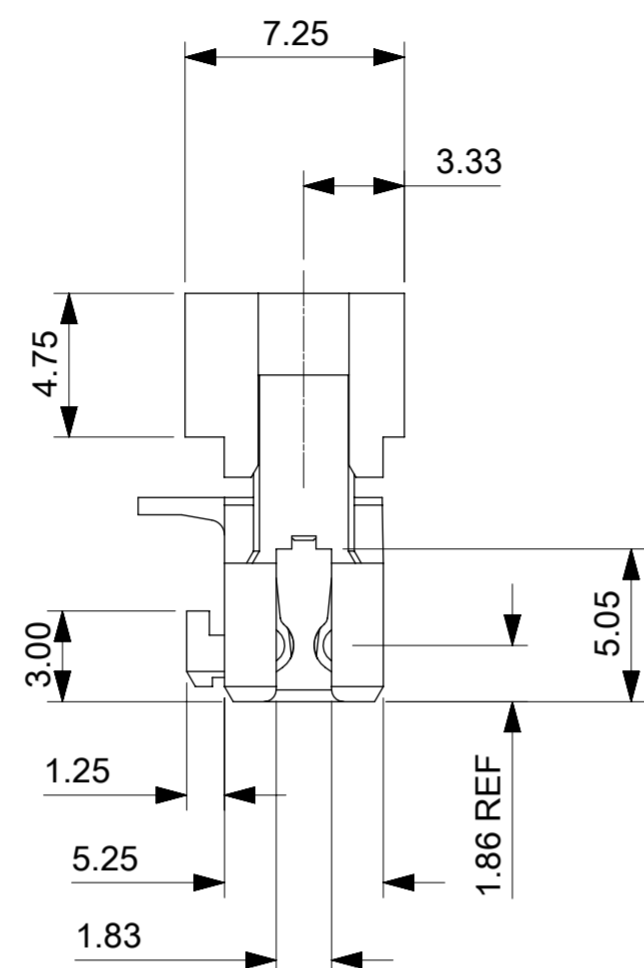


4000012662

POSITION OF COLOUR STRIPE (see note 3)

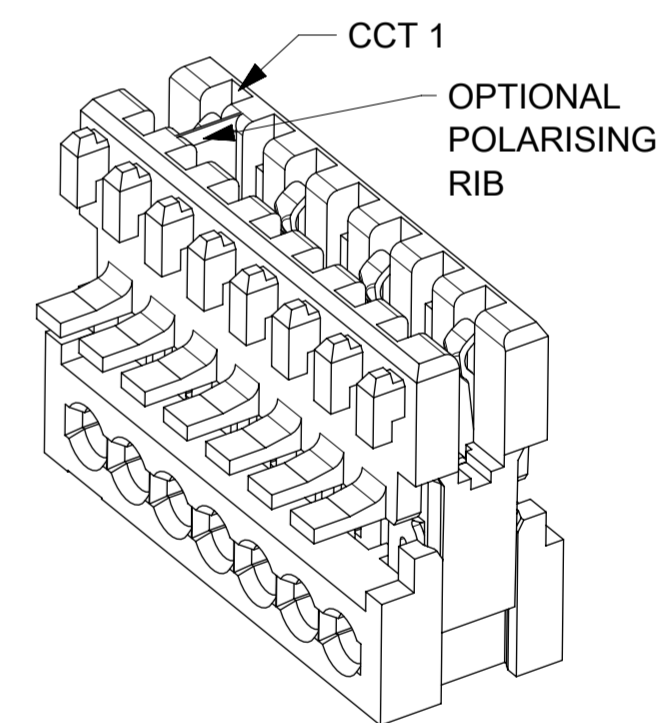


CIRCUIT 1

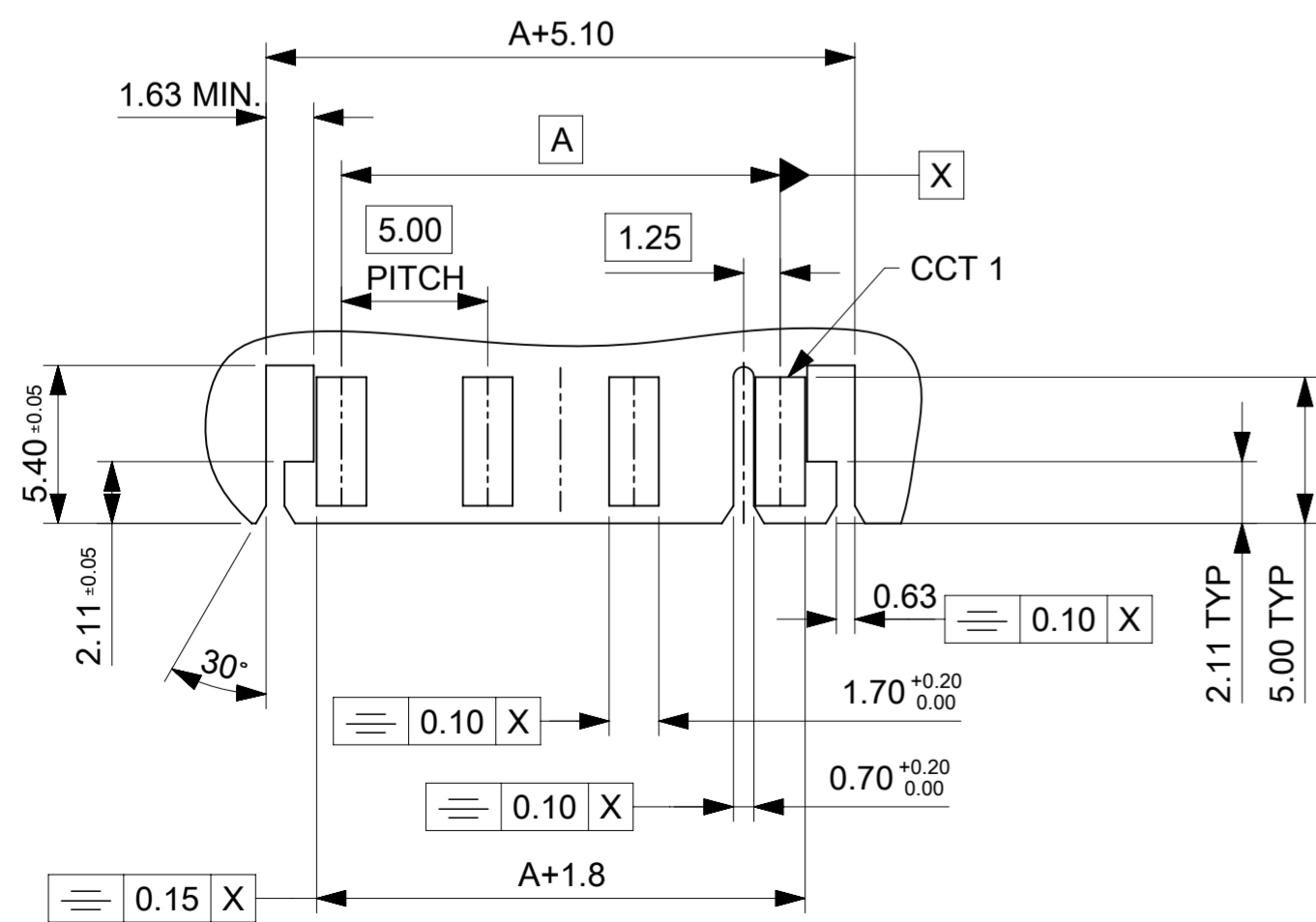


SHIPPING ARRANGEMENT SCALE 2:1

| CCT | A | B |
|-----|----|--------|
| 2 | 5 | 9.875 |
| 3 | 10 | 14.875 |
| 4 | 15 | 19.875 |
| 5 | 20 | 24.875 |
| 6 | 25 | 29.875 |
| 7 | 30 | 34.875 |
| 8 | 35 | 39.875 |
| 9 | 40 | 44.875 |
| 10 | 45 | 49.875 |



OPEN END WALLS OPTION.



- PCB LAYOUT FOR 4CCT (5mm) CONNECTOR (WITH OPTIONAL POSITIONAL RIB SLOT BETWEEN CCT 1 & 2)
- RECOMMENDED PCB THICKNESS 1.5±0.14

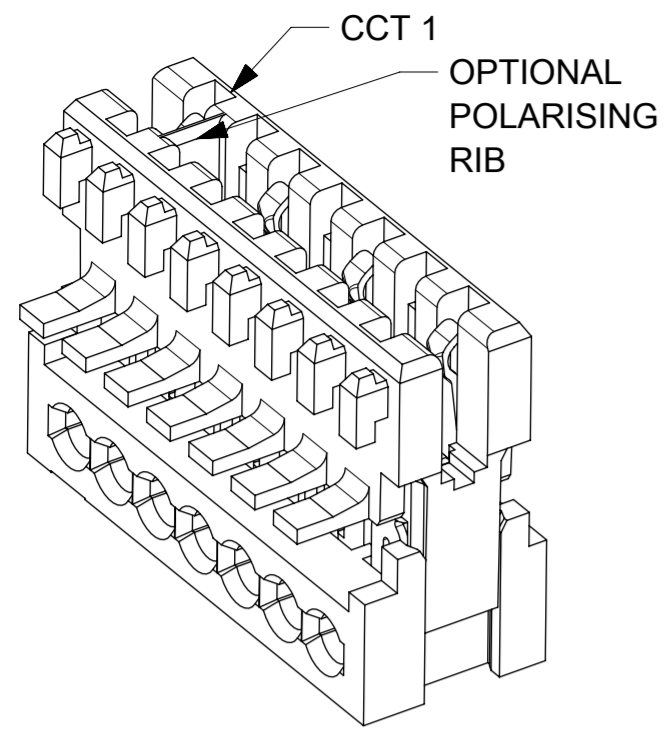
NOTES:

- REFER TO PRODUCT SPECIFICATION: PS-99020-0040.
- MATERIAL: HOUSING - POLYAMIDE 6 (PA6) UL94-V2, COLOUR: NATURAL.
TERMINAL: PHOSPHOR BRONZE 0.30 REF. THICK - PLATING HOT TIN DIP.
- COLOUR STRIPE IS OPTIONAL. AVAILABLE IN THE FOLLOWING COLOURS: RED, GREEN, BLUE, ORANGE, BLACK, YELLOW, BROWN AND VIOLET.
(BLACK SIGNIFIES CUSTOMER SPECIFIC CONFIGURATION).
- REFER TO PACKAGING SPEC (PK-90871-001)
- REFER TO APPLICATION SPEC (990330008 AS)
- REFER TO WORK INSTRUCTION (WI1643)

THIS DRAWING CONTAINS INFORMATION THAT IS PROPRIETARY TO MOLEX ELECTRONIC TECHNOLOGIES, LLC AND SHOULD NOT BE USED WITHOUT WRITTEN PERMISSION

| DIMENSION UNITS | SCALE | CURRENT REV DESC: | molex | | | |
|--|--------|------------------------|---|--------|-----------------|--------------------------------|
| mm | 20:1 | | APPLI-MATE 2.5 FEMALE G.W.T. 750 VERSION 5MM PITCH | | | |
| GENERAL TOLERANCES (UNLESS SPECIFIED) | | | PRODUCT CUSTOMER DRAWING | | | |
| ANGULAR TOL | ± 0.5° | EC NO: 675456 | DOCUMENT NUMBER | | | DOC TYPE DOC PART REVISION |
| 4 PLACES | ± | DRWN: MBN02 | 930510001 | | | PSD 000 E1 |
| 3 PLACES | ± 0.05 | CHK'D: MBN02 | MATERIAL NUMBER | | | CUSTOMER |
| 2 PLACES | ± 0.1 | APPR: SDEVITT | SEE TABLE | | | GENERAL MARKET |
| 1 PLACE | ± 0.2 | INITIAL REVISION: | SERIES | | | SHEET NUMBER |
| 0 PLACES | ± | DRWN: CFISHER01 | 93051 | | | 1 OF 9 |
| DRAFT WHERE APPLICABLE MUST REMAIN WITHIN DIMENSIONS | | THIRD ANGLE PROJECTION | DRAWING | SERIES | MATERIAL NUMBER | CUSTOMER |
| | | | A2-SIZE | 93051 | SEE TABLE | GENERAL MARKET |

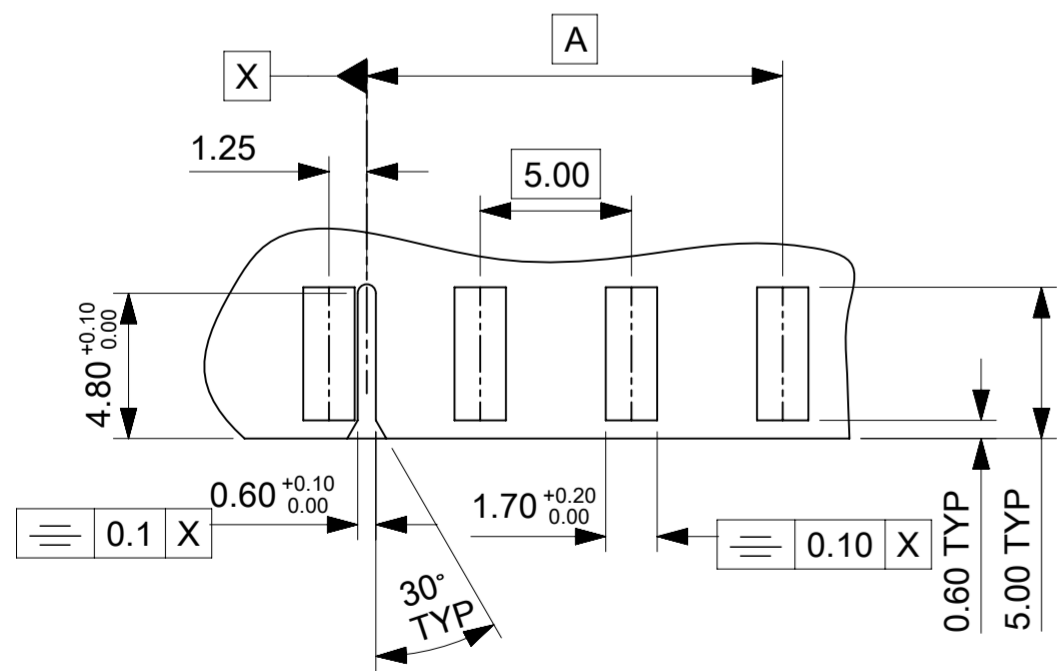
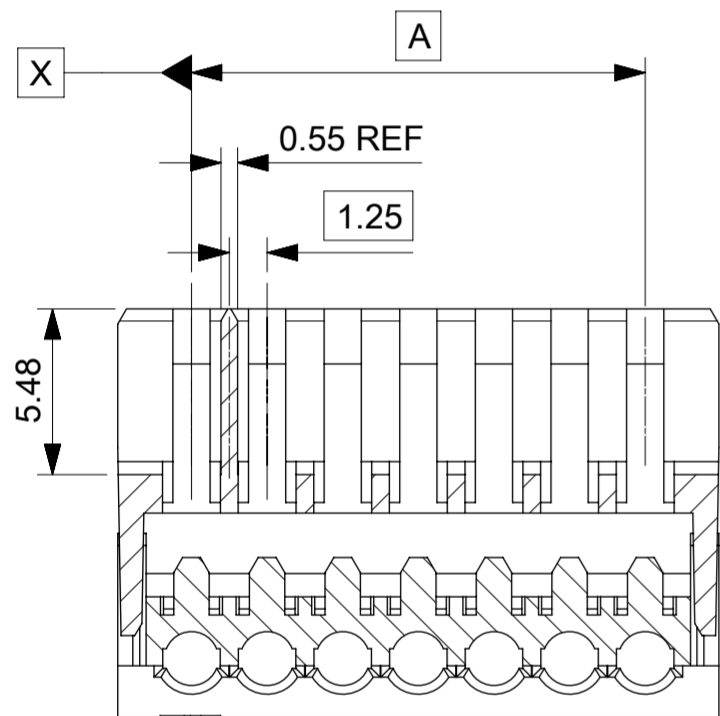
| | | | | |
|-----------------|----|--------------|------------|----------|
| DOCUMENT STATUS | P1 | RELEASE DATE | 2021/09/28 | 05:26:24 |
|-----------------|----|--------------|------------|----------|



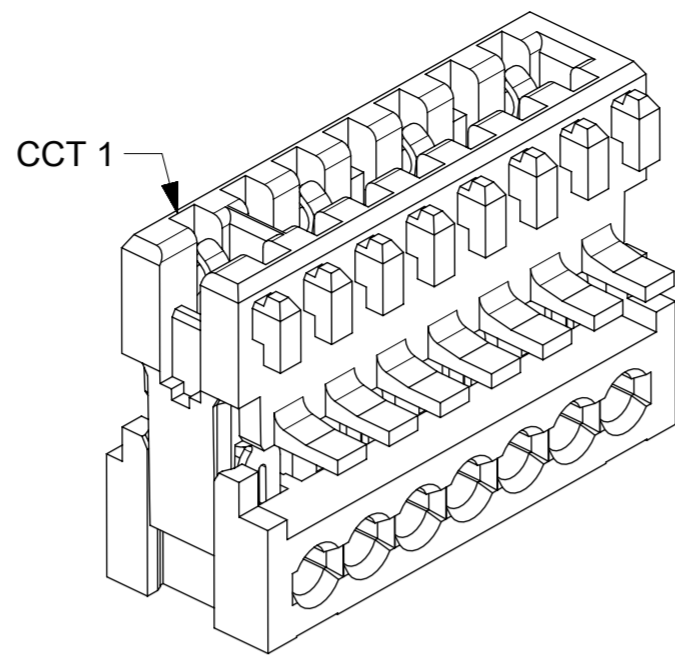
CCT 1
OPTIONAL
POLARISING
RIB

OPEN END WALL OPTION

| FIRST END WALL | LAST END WALL |
|----------------|---------------|
| OPEN | OPEN |



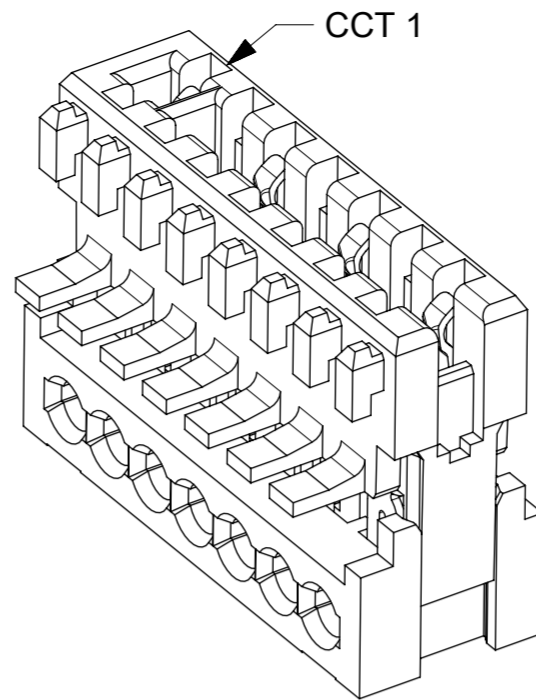
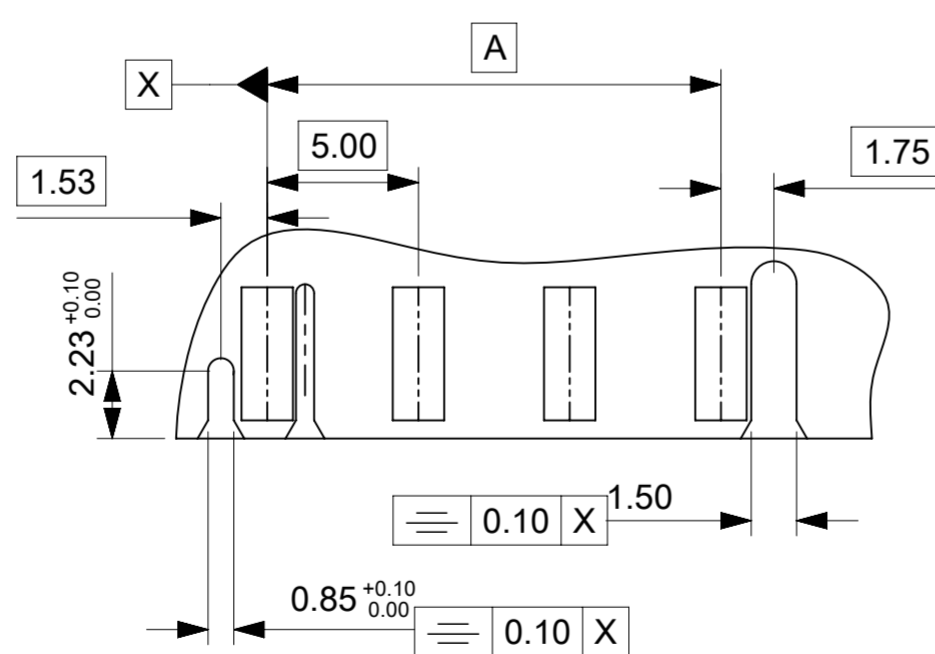
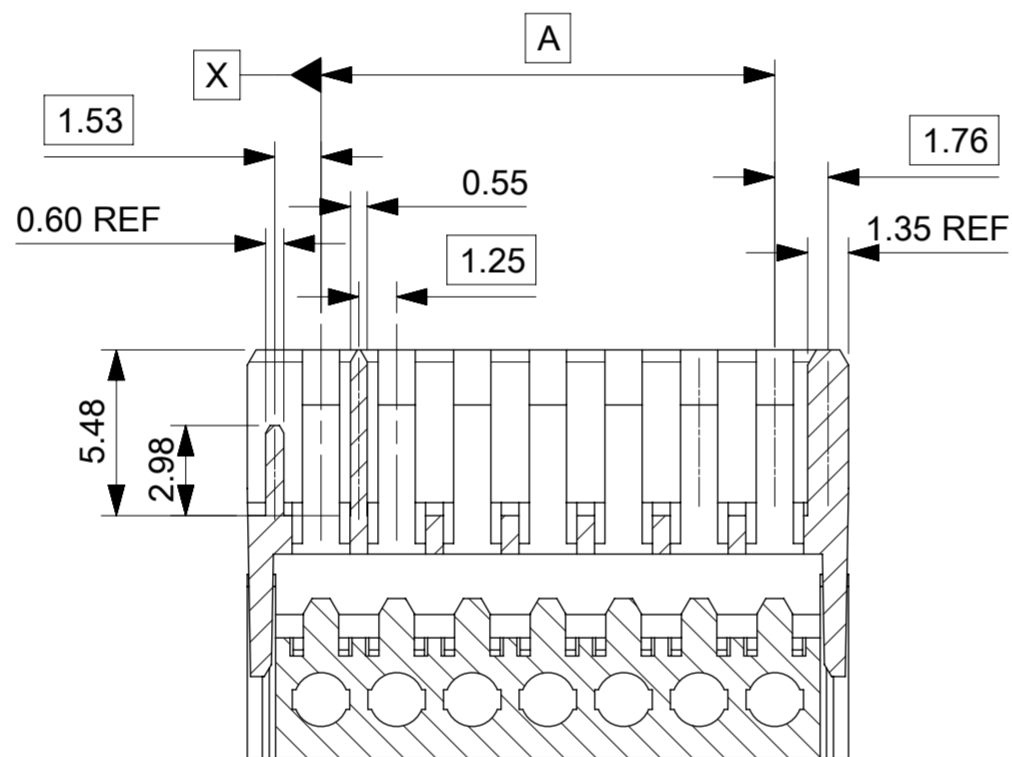
- PCB LAYOUT CCTCONNECTOR
(WITH OPTIONAL POSITIONAL RIB SLOT BETWEEN
CCT 1 & 2)
- RECOMMENDED PCB THICKNESS 1.5 ± 0.14



CCT 1

END WALL OPTION A

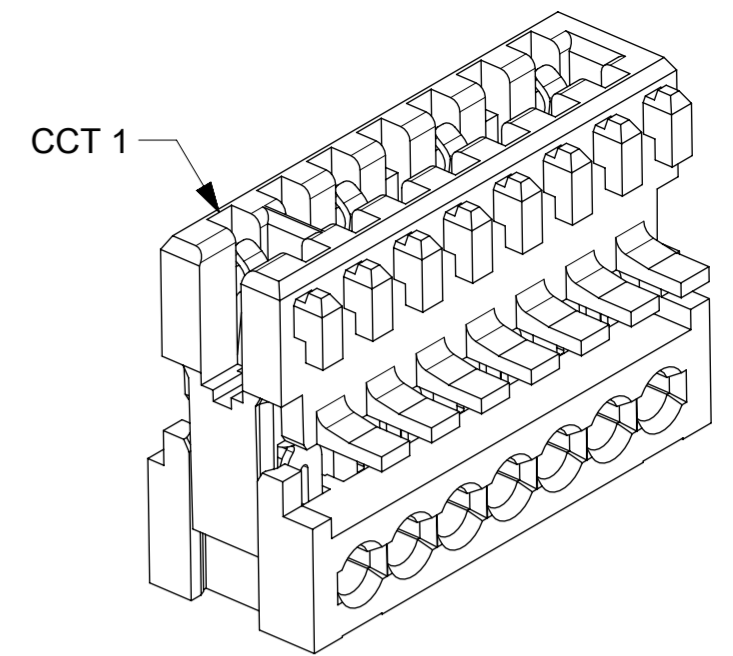
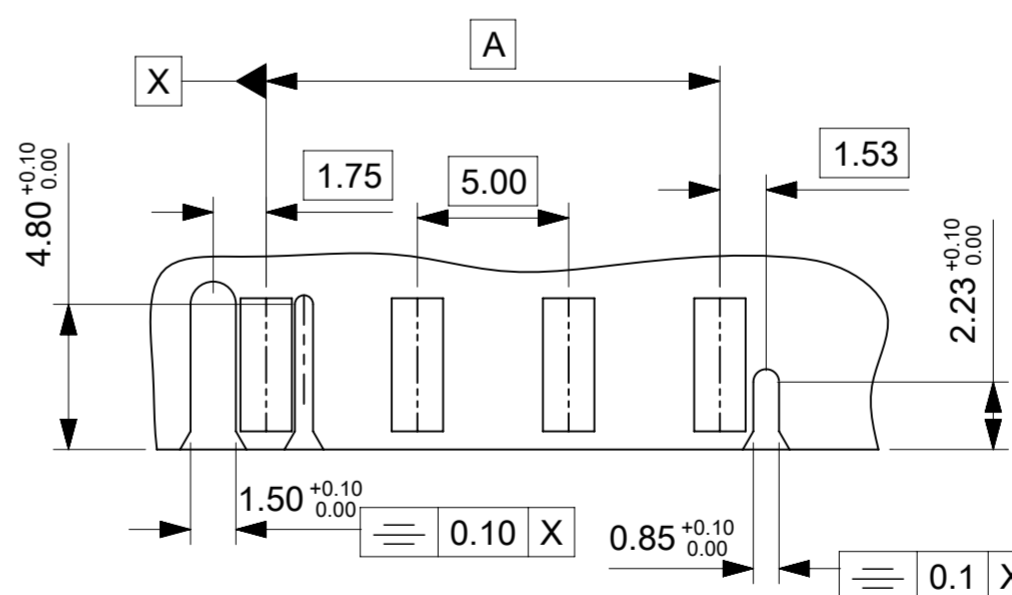
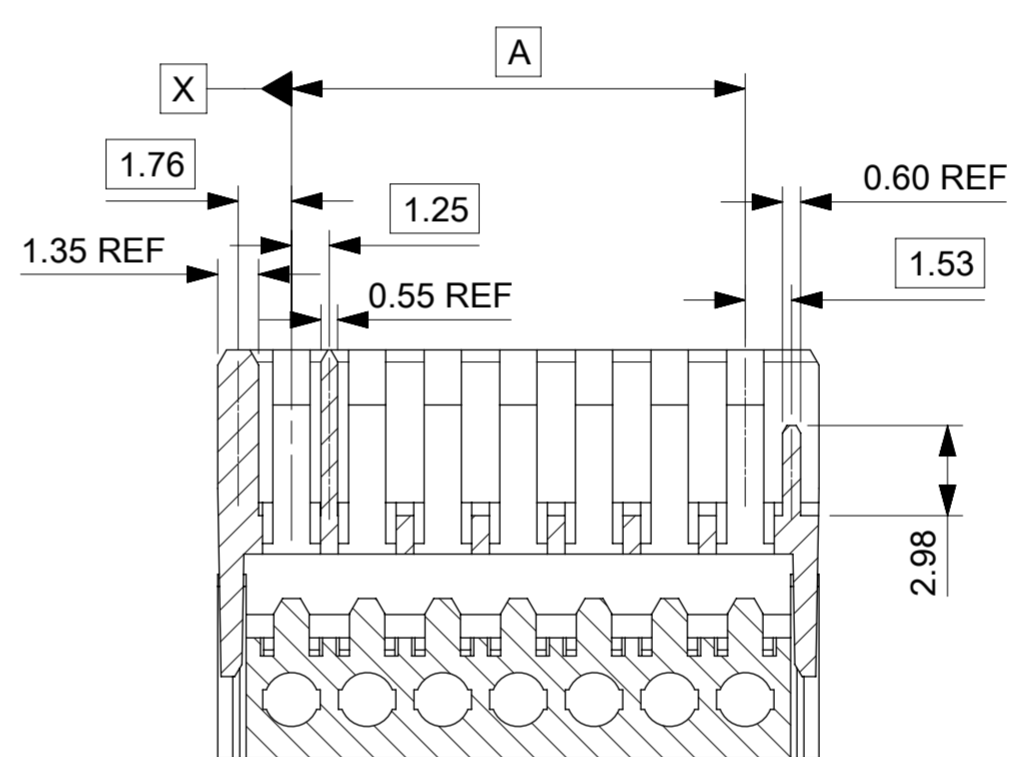
| FIRST END WALL | LAST END WALL |
|----------------|---------------|
| HALF | CLOSED |



CCT 1

END WALL OPTION B

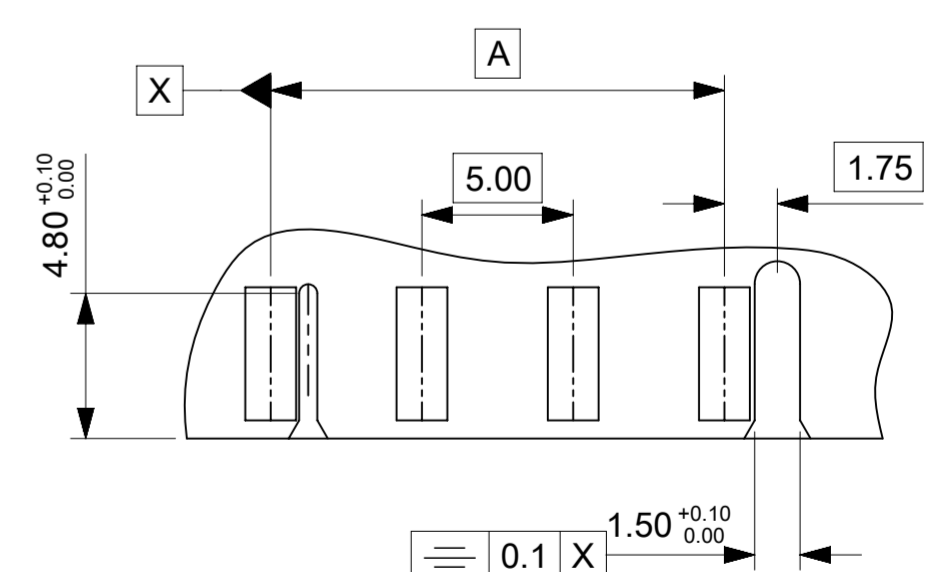
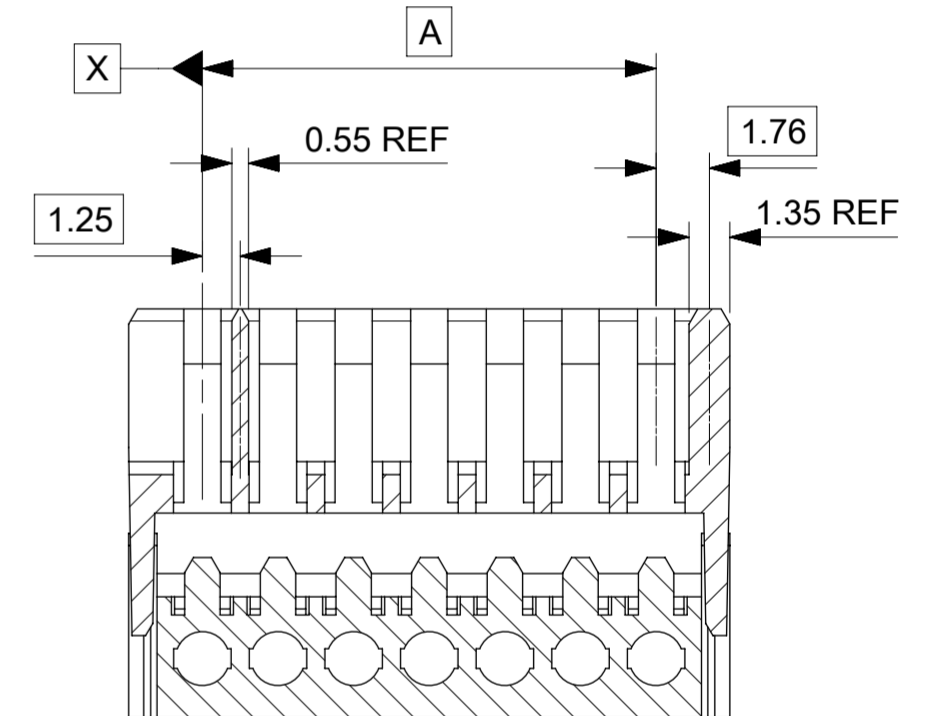
| FIRST END WALL | LAST END WALL |
|----------------|---------------|
| CLOSED | HALF |



CCT 1

END WALL OPTION C

| FIRST END WALL | LAST END WALL |
|----------------|---------------|
| OPEN | CLOSED |



THIS DRAWING CONTAINS INFORMATION THAT IS PROPRIETARY TO MOLEX ELECTRONIC TECHNOLOGIES, LLC AND SHOULD NOT BE USED WITHOUT WRITTEN PERMISSION

| | | | | | |
|--|--------|-------------------|----------------|----------|----------|
| DIMENSION UNITS | SCALE | CURRENT REV DESC: | | | |
| mm | 1:1 | | | | |
| GENERAL TOLERANCES (UNLESS SPECIFIED) | | | | | |
| ANGULAR TOL | ± 0.5° | | | | |
| 4 PLACES | ± | EC NO: 675456 | | | |
| 3 PLACES | ± 0.05 | DRWN: MBN02 | 2021/08/25 | | |
| 2 PLACES | ± 0.1 | CHK'D: MBN02 | 2021/08/26 | | |
| 1 PLACE | ± 0.2 | APPR: SDEVITT | 2021/09/28 | | |
| 0 PLACES | ± | INITIAL REVISION: | | | |
| DRAFT WHERE APPLICABLE MUST REMAIN WITHIN DIMENSIONS | | DRWN: CFISHER01 | 2016/01/19 | | |
| THIRD ANGLE PROJECTION | | APPR: MSHANAHAN | 2016/02/09 | | |
| DRAWING | SERIES | MATERIAL NUMBER | CUSTOMER | DOC TYPE | DOC PART |
| A2-SIZE | 93051 | SEE TABLE | GENERAL MARKET | PSD | 000 |
| SHEET NUMBER | | 2 OF 9 | | | |

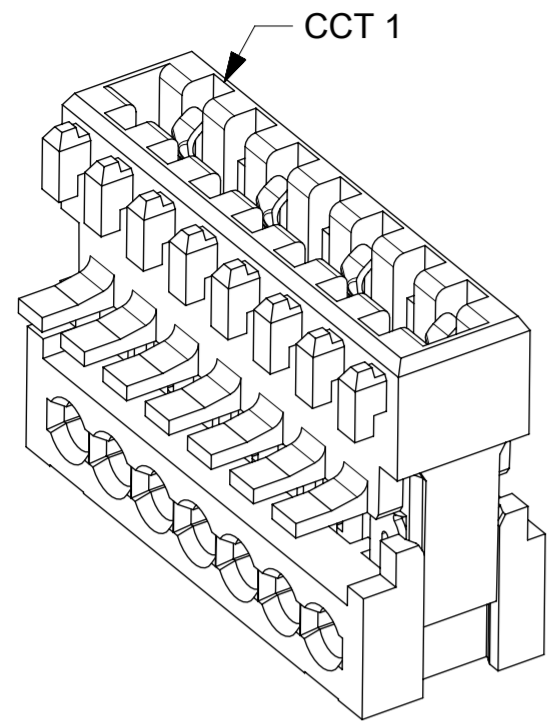
molex

APPLI-MATE 2.5 FEMALE
G.W.T. 750 VERSION 5MM PITCH

PRODUCT CUSTOMER DRAWING

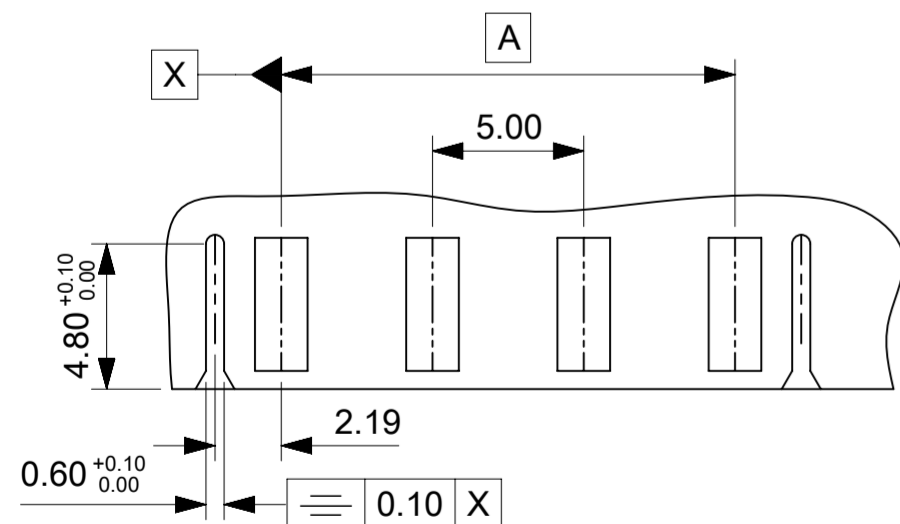
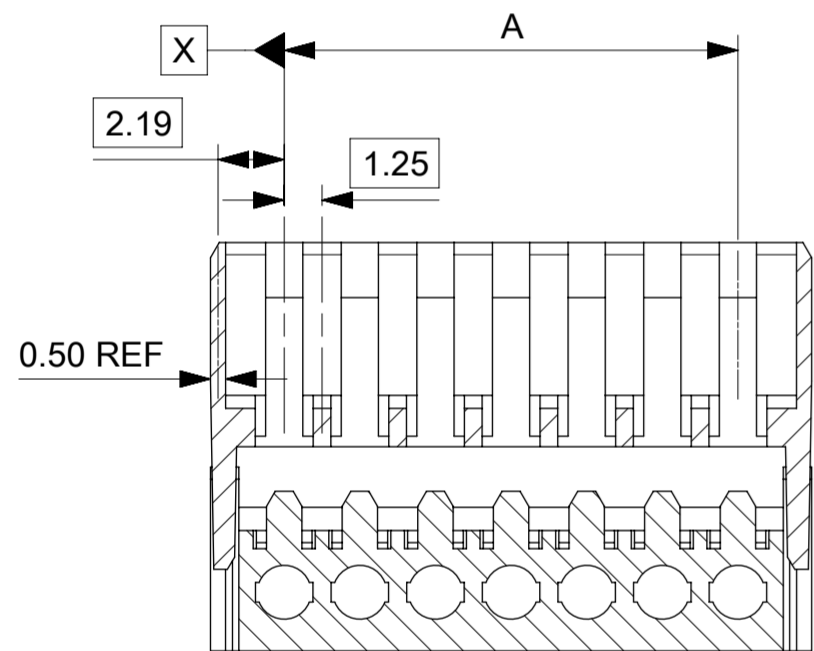
| | | | |
|-----------------|----------|----------|----------|
| DOCUMENT NUMBER | DOC TYPE | DOC PART | REVISION |
| 930510001 | PSD | 000 | E1 |

| | | | | |
|-----------------|----|--------------|------------|----------|
| DOCUMENT STATUS | P1 | RELEASE DATE | 2021/09/28 | 05:26:24 |
|-----------------|----|--------------|------------|----------|



END WALL OPTION H

| | |
|----------------|---------------|
| FIRST END WALL | LAST END WALL |
| NARROW FLUSH | NARROW FLUSH |



THIS DRAWING CONTAINS INFORMATION THAT IS PROPRIETARY TO MOLEX ELECTRONIC TECHNOLOGIES, LLC AND SHOULD NOT BE USED WITHOUT WRITTEN PERMISSION

| | | | | | | | |
|--|--------|------------------------|------------|---|----------------|----------|--------|
| DIMENSION UNITS | SCALE | CURRENT REV DESC: | | molex | | | |
| mm | 1:1 | | | | | | |
| GENERAL TOLERANCES (UNLESS SPECIFIED) | | | | APPLI-MATE 2.5 FEMALE G.W.T. 750 VERSION 5MM PITCH | | | |
| ANGULAR TOL | ± 0.5° | | | PRODUCT CUSTOMER DRAWING | | | |
| 4 PLACES | ± | EC NO: 675456 | | DOCUMENT NUMBER | | | |
| 3 PLACES | ± 0.05 | DRWN: MBN02 | 2021/08/25 | 930510001 | | | |
| 2 PLACES | ± 0.1 | CHK'D: MBN02 | 2021/08/26 | DOC TYPE | DOC PART | REVISION | |
| 1 PLACE | ± 0.2 | APPR: SDEVITT | 2021/09/28 | PSD | 000 | E1 | |
| 0 PLACES | ± | INITIAL REVISION: | | SHEET NUMBER | | | |
| DRAFT WHERE APPLICABLE MUST REMAIN WITHIN DIMENSIONS | | DRWN: CFISHER01 | 2016/01/19 | MATERIAL NUMBER | | CUSTOMER | |
| | | APPR: MSHANAHAN | 2016/02/09 | SEE TABLE | GENERAL MARKET | | 4 OF 9 |
| | | THIRD ANGLE PROJECTION | DRAWING | SERIES | SHEET NUMBER | | |
| | | | A2-SIZE | 93051 | 4 OF 9 | | |

| | | | | |
|-----------------|----|--------------|------------|----------|
| DOCUMENT STATUS | P1 | RELEASE DATE | 2021/09/28 | 05:26:24 |
|-----------------|----|--------------|------------|----------|

| 2 CIRCUIT | | | | | | | |
|-------------|--------------|-----------------------|---------------|---------------|--------------|------------------------|---------------|
| PART NUMBER | HOUSING USED | REMOVED POSITION KEYS | CONFIGURATION | FIRST ENDWALL | LAST ENDWALL | POLARIZING RIB BETWEEN | COLOUR STRIPE |
| 93051-0001 | 93049-0003 | NONE | | OPEN | OPEN | NONE | RED |
| 93051-0002 | 93049-0003 | NONE | | OPEN | OPEN | NONE | NONE |
| 93051-0003 | 93049-0003 | a | | OPEN | OPEN | NONE | NONE |
| 93051-0004 | 93049-0003 | b | | OPEN | OPEN | NONE | BLUE |
| 93051-0005 | 93049-0003 | c | | OPEN | OPEN | NONE | NONE |
| 93051-0006 | 93049-0003 | c | | OPEN | OPEN | NONE | BLACK |
| 93051-0007 | 93049-0003 | b d | | OPEN | OPEN | NONE | BLUE |
| 93051-0008 | 93049-0003 | b c | | OPEN | OPEN | NONE | BLUE |
| 93051-0012 | 93049-0003 | a b | | OPEN | OPEN | NONE | NONE |
| 93051-0013 | 93049-0003 | b d | | OPEN | OPEN | NONE | NONE |
| 93051-0014 | 93049-0003 | b | | OPEN | OPEN | NONE | NONE |
| 93051-0015 | 93049-0003 | b c | | OPEN | OPEN | NONE | NONE |
| 93051-0017 | 93049-0003 | a d | | OPEN | OPEN | NONE | NONE |
| 93051-0018 | 93049-0003 | a c | | OPEN | OPEN | NONE | NONE |
| 93051-0019 | 93049-0103 | a d | | OPEN | OPEN | BETWEEN CCT 1&2 | NONE |
| 93051-0020 | 93049-0003 | d | | OPEN | OPEN | NONE | BLUE |
| 93051-0021 | 93049-0003 | c d | | OPEN | OPEN | NONE | RED |
| 93051-0024 | 93049-0003 | a d | | OPEN | OPEN | NONE | BLUE |
| 93051-0025 | 93049-0003 | a b | | OPEN | OPEN | NONE | BLUE |
| 93051-0026 | 93049-0043 | c | | OPEN | CLOSED | NONE | NONE |
| 93051-0027 | 93049-0003 | a c d | | OPEN | OPEN | NONE | NONE |
| 93051-0028 | 93049-0003 | d | | OPEN | OPEN | NONE | NONE |
| 93051-0029 | 93049-0003 | ALL | | OPEN | OPEN | NONE | NONE |
| 93051-0030 | 93049-0003 | c d | | OPEN | OPEN | NONE | NONE |
| 93051-0031 | 93049-0003 | ALL | | OPEN | OPEN | NONE | BLACK |
| 93051-0032 | 93049-0003 | a b c | | OPEN | OPEN | NONE | BLUE |
| 93051-0033 | 93049-0043 | a c | | OPEN | CLOSED | NONE | NONE |
| 93051-0034 | 93049-0003 | a c d | | OPEN | OPEN | NONE | VIOLET |
| 93051-0035 | 93049-0003 | c | | OPEN | OPEN | NONE | BLUE |
| 93051-0036 | 93049-0003 | a | | OPEN | OPEN | NONE | BLACK |

| 2 CIRCUIT | | | | | | | |
|-------------|--------------|-----------------------|---------------|---------------|--------------|------------------------|---------------|
| PART NUMBER | HOUSING USED | REMOVED POSITION KEYS | CONFIGURATION | FIRST ENDWALL | LAST ENDWALL | POLARIZING RIB BETWEEN | COLOUR STRIPE |
| 93051-0037 | 93049-0003 | d | | OPEN | OPEN | NONE | YELLOW |
| 93051-0038 | 93049-0003 | b d | | OPEN | OPEN | NONE | BROWN |
| 93051-0039 | 93049-0003 | b | | OPEN | OPEN | NONE | GREEN |
| 93051-0040 | 93049-0003 | c d | | OPEN | OPEN | NONE | BLUE |
| 93051-0041 | 93049-0003 | a b d | | OPEN | OPEN | NONE | NONE |
| 93051-0042 | 93049-0003 | a c | | OPEN | OPEN | NONE | GREEN |
| 93051-0044 | 93049-0003 | b d | | OPEN | OPEN | NONE | RED |
| 93051-0045 | 93049-0003 | NONE | | OPEN | OPEN | NONE | BLUE |
| 93051-0046 | 93049-0003 | b c d | | OPEN | OPEN | NONE | NONE |
| 93051-0047 | 93049-0163 | NONE | | CLOSED | OPEN | BETWEEN CCT 1&2 | NONE |
| 93051-0048 | 93049-0223 | NONE | | CLOSED | CLOSED | BETWEEN CCT 2&3 | NONE |
| 93051-0049 | 93049-0003 | ALL | | OPEN | OPEN | NONE | BLUE |
| 93051-0050 | 93049-0203 | NONE | | OPEN | OPEN | BETWEEN CCT 2&3 | NONE |
| 93051-0051 | 93049-0103 | b | | OPEN | OPEN | BETWEEN CCT 1&2 | NONE |
| 93051-0052 | 93049-0103 | a | | OPEN | OPEN | BETWEEN CCT 1&2 | NONE |
| 93051-0053 | 93049-0003 | NONE | | OPEN | OPEN | NONE | GREEN |
| 93051-0054 | 93049-0003 | NONE | | OPEN | OPEN | NONE | BROWN |
| 93051-0055 | 93049-0003 | d | | OPEN | OPEN | NONE | BLACK |
| 93051-0056 | 93049-0003 | a c | | OPEN | OPEN | NONE | RED |
| 93051-0057 | 93049-0003 | NONE | | OPEN | OPEN | NONE | ORANGE |
| 93051-0058 | 93049-0203 | a | | OPEN | OPEN | BETWEEN CCT 2&3 | RED |
| 93051-0059 | 93049-0003 | NONE | | OPEN | OPEN | NONE | BLACK |

2CCT CONTINUED ON NEXT SHEET

NOTES

- + DENOTES TERMINAL VOIDED POSITION
⊕ DENOTES TERMINAL LOADED POSITION
| DENOTES POLARIZING RIB POSITION
- MOLEX HOUSING NO. FOR REFERENCE ONLY

| | | | | | | | | | |
|---|--|------------------------|--|--|--|----------|--|----------------|--|
| THIS DRAWING CONTAINS INFORMATION THAT IS PROPRIETARY TO MOLEX ELECTRONIC TECHNOLOGIES, LLC AND SHOULD NOT BE USED WITHOUT WRITTEN PERMISSION | | | | | | | | | |
| DIMENSION UNITS | | SCALE | | CURRENT REV DESC: | | | | | |
| mm | | 1:1 | | | | | | | |
| GENERAL TOLERANCES (UNLESS SPECIFIED) | | | | <p>EC NO: 675456</p> <p>DRWN: MBN02 2021/08/25</p> <p>CHK'D: MBN02 2021/08/26</p> <p>APPR: SDEVITT 2021/09/28</p> <p>INITIAL REVISION:</p> <p>DRWN: CFISHER01 2016/01/19</p> <p>APPR: MSHANAHAN 2016/02/09</p> | | | | | |
| ANGULAR TOL | | ± 0.5° | | | | | | | |
| 4 PLACES | | ± | | | | | | | |
| 3 PLACES | | ± 0.05 | | | | | | | |
| 2 PLACES | | ± 0.1 | | <p>PRODUCT CUSTOMER DRAWING</p> <p>DOCUMENT NUMBER: 930510001</p> <p>DOC TYPE: PSD DOC PART: 000 REVISION: E1</p> | | | | | |
| 1 PLACE | | ± 0.2 | | | | | | | |
| 0 PLACES | | ± | | MATERIAL NUMBER | | CUSTOMER | | SHEET NUMBER | |
| DRAFT WHERE APPLICABLE MUST REMAIN WITHIN DIMENSIONS | | THIRD ANGLE PROJECTION | | DRAWING | | SERIES | | SEE TABLE | |
| | | | | A2-SIZE | | 93051 | | GENERAL MARKET | |



APPLI-MATE 2.5 FEMALE
G.W.T. 750 VERSION 5MM PITCH

PRODUCT CUSTOMER DRAWING

930510001

PSD 000 E1

SEE TABLE GENERAL MARKET 5 OF 9

2 CIRCUIT (CONT)

| PART NUMBER | HOUSING USED | REMOVED POSITION KEYS | CONFIGURATION | FIRST ENDWALL | LAST ENDWALL | POLARIZING RIB BETWEEN | COLOUR STRIPE |
|-------------|--------------|-----------------------|---------------|---------------|--------------|------------------------|---------------|
| 93051-0060 | 93049-0003 | b c | | OPEN | OPEN | NONE | BLACK |
| 93051-0061 | 93049-0143 | NONE | | OPEN | CLOSED | BETWEEN CCT 1&2 | BLUE |
| 93051-0062 | 93049-0163 | NONE | | CLOSED | OPEN | BETWEEN CCT 1&2 | RED |
| 93051-0063 | 93049-0263 | NONE | | CLOSED | OPEN | BETWEEN CCT 2&3 | RED |
| 93051-0064 | 93049-0023 | NONE | | CLOSED | CLOSED | NONE | NONE |
| 93051-0065 | 93049-0103 | NONE | | OPEN | OPEN | BETWEEN CCT 1&2 | NONE |
| 93051-0066 | 93049-0003 | a b c | | OPEN | OPEN | NONE | BLACK |
| 93051-0067 | 93049-0003 | a b | | OPEN | OPEN | NONE | RED |
| 93051-0068 | 93049-0003 | a b c | | OPEN | OPEN | NONE | NONE |
| 93051-0069 | 93049-0003 | c | | OPEN | OPEN | NONE | RED |
| 93051-0070 | 93049-0003 | a b c | | OPEN | OPEN | NONE | BROWN |
| 93051-0071 | 93049-0003 | b c d | | OPEN | OPEN | NONE | BLACK |
| 93051-0072 | 93049-0003 | b | | OPEN | OPEN | NONE | RED |
| 93051-0073 | 93049-0003 | NONE | | OPEN | OPEN | NONE | PURPLE |
| 93051-0074 | 93049-0003 | a c | | OPEN | OPEN | NONE | YELLOW |
| 93051-0075 | 93049-0003 | NONE | | OPEN | OPEN | NONE | YELLOW |
| 93051-0076 | 93049-0203 | a d | | OPEN | OPEN | BETWEEN CCT 2&3 | NONE |
| 93051-0077 | 93049-0003 | NONE | | OPEN | OPEN | NONE | YELLOW |
| 93051-0078 | 93049-0063 | NONE | | CLOSED | OPEN | NONE | NONE |
| 93051-0079 | 93049-0103 | d | | OPEN | OPEN | BETWEEN CCT 1&2 | NONE |
| 93051-0080 | 93049-0103 | b d | | OPEN | OPEN | BETWEEN CCT 1&2 | RED |
| 93051-0081 | 93049-0023 | d | | CLOSED | CLOSED | NONE | NONE |
| 93051-0082 | 93049-0023 | b c | | CLOSED | CLOSED | NONE | NONE |

3 CIRCUIT

| PART NUMBER | HOUSING USED | REMOVED POSITION KEYS | CONFIGURATION | FIRST ENDWALL | LAST ENDWALL | POLARIZING RIB BETWEEN | COLOUR STRIPE |
|-------------|--------------|-----------------------|---------------|---------------|--------------|------------------------|---------------|
| 93051-1001 | 93049-0005 | NONE | | OPEN | OPEN | NONE | NONE |
| 93051-1002 | 93049-0005 | c d f | | OPEN | OPEN | NONE | NONE |
| 93051-1003 | 93049-0005 | a d e | | OPEN | OPEN | NONE | NONE |
| 93051-1004 | 93049-0005 | d e f | | OPEN | OPEN | NONE | NONE |
| 93051-1005 | 93049-0005 | b c d | | OPEN | OPEN | NONE | NONE |
| 93051-1006 | 93049-0005 | a b d | | OPEN | OPEN | NONE | NONE |
| 93051-1007 | 93049-0005 | a d e f | | OPEN | OPEN | NONE | NONE |
| 93051-1008 | 93049-0005 | b c e | | OPEN | OPEN | NONE | NONE |
| 93051-1009 | 93049-0005 | a c d | | OPEN | OPEN | NONE | NONE |
| 93051-1010 | 93049-0005 | b d e | | OPEN | OPEN | NONE | BLUE |
| 93051-1011 | 93049-0005 | b d e | | OPEN | OPEN | NONE | NONE |
| 93051-1012 | 93049-0005 | b c e | | OPEN | OPEN | NONE | NONE |
| 93051-1014 | 93049-0005 | e f | | OPEN | OPEN | NONE | NONE |
| 93051-1015 | 93049-0005 | b d | | OPEN | OPEN | NONE | NONE |
| 93051-1016 | 93049-0005 | f | | OPEN | OPEN | NONE | NONE |
| 93051-1017 | 93049-0005 | a f | | OPEN | OPEN | NONE | NONE |
| 93051-1018 | 93049-0005 | c d e | | OPEN | OPEN | NONE | NONE |
| 93051-1019 | 93049-0005 | NONE | | OPEN | OPEN | NONE | BLUE |
| 93051-1020 | 93049-0005 | a b d e f | | OPEN | OPEN | NONE | NONE |
| 93051-1021 | 93049-0005 | a b c f | | OPEN | OPEN | NONE | NONE |
| 93051-1022 | 93049-0005 | NONE | | OPEN | OPEN | NONE | GREEN |
| 93051-1023 | 93049-0005 | b c d e | | OPEN | OPEN | NONE | NONE |
| 93051-1024 | 93049-0005 | a d f | | OPEN | OPEN | NONE | RED |
| 93051-1025 | 93049-0005 | NONE | | OPEN | OPEN | NONE | RED |

3CCT CONTINUED ON NEXT SHEET

| | | | | | | | | | |
|---|--|--------|--|---|--|------------|--|-----------------|--|
| THIS DRAWING CONTAINS INFORMATION THAT IS PROPRIETARY TO MOLEX ELECTRONIC TECHNOLOGIES, LLC AND SHOULD NOT BE USED WITHOUT WRITTEN PERMISSION | | | | | | | | | |
| DIMENSION UNITS | | SCALE | | CURRENT REV DESC: | | | | | |
| mm | | 1:1 | | | | | | | |
| GENERAL TOLERANCES (UNLESS SPECIFIED) | | | | <p>molex</p> <p>APPLI-MATE 2.5 FEMALE G.W.T. 750 VERSION 5MM PITCH</p> <p>PRODUCT CUSTOMER DRAWING</p> <p>DOCUMENT NUMBER: 930510001 DOC TYPE: PSD DOC PART: 000 REVISION: E1</p> | | | | | |
| ANGULAR TOL | | ± 0.5° | | | | | | | |
| 4 PLACES | | ± | | | | | | | |
| 3 PLACES | | ± 0.05 | | | | | | | |
| 2 PLACES | | ± 0.1 | | | | | | | |
| 1 PLACE | | ± 0.2 | | EC NO: 675456 | | 2021/08/25 | | | |
| 0 PLACES | | ± | | DRWN: MBN02 | | 2021/08/26 | | | |
| DRAFT WHERE APPLICABLE MUST REMAIN WITHIN DIMENSIONS | | | | THIRD ANGLE PROJECTION | | DRAWING | | SERIES | |
| | | | | A2-SIZE | | 93051 | | MATERIAL NUMBER | |
| | | | | | | | | CUSTOMER | |
| | | | | | | | | GENERAL MARKET | |
| | | | | | | | | SHEET NUMBER | |
| | | | | | | | | 6 OF 9 | |

NOTES

- + DENOTES TERMINAL VOIDED POSITION
⊕ DENOTES TERMINAL LOADED POSITION
| DENOTES POLARIZING RIB POSITION
- MOLEX HOUSING NO. FOR REFERENCE ONLY

3 CIRCUIT

| PART NUMBER | HOUSING USED | REMOVED POSITION KEYS | CONFIGURATION | FIRST ENDWALL | LAST ENDWALL | POLARIZING RIB BETWEEN | COLOUR STRIPE |
|-------------|--------------|-----------------------|---------------|---------------|--------------|------------------------|---------------|
| 93051-1027 | 93049-0005 | a c d | | OPEN | OPEN | NONE | RED |
| 93051-1028 | 93049-0005 | NONE | | OPEN | OPEN | NONE | PURPLE |
| 93051-1029 | 93049-0425 | NONE | | CLOSED | CLOSED | BETWEEN CCT 4&5 | NONE |
| 93051-1030 | 93049-0005 | a b c | | OPEN | OPEN | NONE | NONE |
| 93051-1031 | 93049-0005 | a | | OPEN | OPEN | NONE | NONE |
| 93051-1032 | 93049-0005 | c | | OPEN | OPEN | NONE | NONE |
| 93051-1033 | 93049-0005 | d | | OPEN | OPEN | NONE | NONE |
| 93051-1034 | 93049-0005 | b c | | OPEN | OPEN | NONE | NONE |
| 93051-1035 | 93049-0005 | b | | OPEN | OPEN | NONE | NONE |
| 93051-1036 | 93049-0125 | NONE | | CLOSED | CLOSED | BETWEEN CCT 1&2 | NONE |
| 93051-1037 | 93049-0025 | NONE | | CLOSED | CLOSED | NONE | NONE |
| 93051-1038 | 93049-0005 | b c d e | | OPEN | OPEN | NONE | BLUE |
| 93051-1039 | 93049-0243 | NONE | | OPEN | OPEN | BETWEEN CCT 2&3 | NONE |
| 93051-1040 | 93049-0005 | b | | OPEN | OPEN | NONE | NONE |
| 93051-1041 | 93049-0005 | a c | | OPEN | OPEN | NONE | NONE |

4CCT CONTINUED ON NEXT SHEET

NOTES

- + DENOTES TERMINAL VOIDED POSITION
⊕ DENOTES TERMINAL LOADED POSITION
| DENOTES POLARIZING RIB POSITION
- MOLEX HOUSING NO. FOR REFERENCE ONLY

| | | | | | | | | | |
|---|--------|----------------------------|---------|--------|---|----------------|--------|--|--|
| THIS DRAWING CONTAINS INFORMATION THAT IS PROPRIETARY TO MOLEX ELECTRONIC TECHNOLOGIES, LLC AND SHOULD NOT BE USED WITHOUT WRITTEN PERMISSION | | | | | | | | | |
| DIMENSION UNITS | SCALE | CURRENT REV DESC: | | | | | | | |
| mm | 1:1 | | | | | | | | |
| GENERAL TOLERANCES (UNLESS SPECIFIED) | | EC NO: 675456 | | | APPLI-MATE 2.5 FEMALE G.W.T. 750 VERSION 5MM PITCH | | | | |
| ANGULAR TOL | ± 0.5° | DRWN: MBN02 2021/08/25 | | | | | | | |
| 4 PLACES | ± | CHK'D: MBN02 2021/08/26 | | | PRODUCT CUSTOMER DRAWING | | | | |
| 3 PLACES | ± 0.05 | APPR: SDEVITT 2021/09/28 | | | | | | | |
| 2 PLACES | ± 0.1 | INITIAL REVISION: | | | DOCUMENT NUMBER 930510001 | | | | |
| 1 PLACE | ± 0.2 | DRWN: CFISHER01 2016/01/19 | | | | | | | |
| 0 PLACES | ± | APPR: MSHANAHAN 2016/02/09 | | | DOC TYPE: PSD DOC PART: 000 REVISION: E1 | | | | |
| DRAFT WHERE APPLICABLE MUST REMAIN WITHIN DIMENSIONS | | THIRD ANGLE PROJECTION | DRAWING | SERIES | | | | | |
| | | | A2-SIZE | 93051 | SEE TABLE | GENERAL MARKET | 7 OF 9 | | |

| | | | | |
|-----------------|----|--------------|------------|----------|
| DOCUMENT STATUS | P1 | RELEASE DATE | 2021/09/28 | 05:26:24 |
|-----------------|----|--------------|------------|----------|

4 CIRCUIT

| PART NUMBER | HOUSING USED | REMOVED POSITION KEYS | CONFIGURATION | FIRST ENDWALL | LAST ENDWALL | POLARIZING RIB BETWEEN | COLOUR STRIPE |
|-------------|------------------------------|-----------------------|---------------|---------------|--------------|------------------------|---------------|
| 93051-2001 | 93049-0007 | NONE | | OPEN | OPEN | NONE | NONE |
| 93051-2002 | 93049-0007 | ALL | | OPEN | OPEN | NONE | NONE |
| 93051-2003 | 93049-0007 | b c d f | | OPEN | OPEN | NONE | NONE |
| 93051-2004 | 93049-0007 | d e f g | | OPEN | OPEN | NONE | NONE |
| 93051-2005 | 93049-0007 | a b e f h | | OPEN | OPEN | NONE | NONE |
| 93051-2006 | 93049-0007 | d e f g h | | OPEN | OPEN | NONE | NONE |
| 93051-2007 | 93049-0007 | c d | | OPEN | OPEN | NONE | NONE |
| 93051-2008 | 93049-0007 | b c d e | | OPEN | OPEN | NONE | NONE |
| 93051-2009 | 93049-0007 | a b d e g | | OPEN | OPEN | NONE | NONE |
| 93051-2010 | 93049-0007 | b e | | OPEN | OPEN | NONE | NONE |
| 93051-2011 | 93049-0007 | a b d e g | | OPEN | OPEN | NONE | RED |
| 93051-2012 | 93049-0007 | d e f g | | OPEN | OPEN | NONE | NONE |
| 93051-2013 | 93049-0007 | a b e f h | | OPEN | OPEN | NONE | NONE |
| 93051-2014 | VOID-Duplicate of 93051-2003 | | | | | | |
| 93051-2015 | 93049-0007 | NONE | | OPEN | OPEN | NONE | BLUE |
| 93051-2016 | 93049-0007 | a c e g | | OPEN | OPEN | NONE | NONE |
| 93051-2017 | 93049-0007 | a b d f g h | | OPEN | OPEN | NONE | NONE |
| 93051-2018 | 93049-0007 | c d e f g | | OPEN | OPEN | NONE | NONE |
| 93051-2019 | 93049-0007 | f g h | | OPEN | OPEN | NONE | NONE |
| 93051-2020 | 93049-0007 | a c d f g | | OPEN | OPEN | NONE | NONE |
| 93051-2021 | 93049-0007 | a b c d e f | | OPEN | OPEN | NONE | NONE |
| 93051-2022 | 93049-0007 | a d g | | OPEN | OPEN | NONE | BROWN |
| 93051-2023 | 93049-0007 | a b f g h | | OPEN | OPEN | NONE | BROWN |
| 93051-2024 | 93049-0007 | NONE | | OPEN | OPEN | NONE | GREEN |
| 93051-2025 | 93049-0007 | d f h | | OPEN | OPEN | NONE | NONE |
| 93051-2026 | 93049-0007 | c e f g h | | OPEN | OPEN | NONE | NONE |
| 93051-2027 | 93049-0007 | a d g | | OPEN | OPEN | NONE | NONE |
| 93051-2028 | 93049-0007 | a b f g h | | OPEN | OPEN | NONE | NONE |
| 93051-2029 | 93049-0007 | b d e | | OPEN | OPEN | NONE | NONE |
| 93051-2030 | 93049-0007 | a b c d g | | OPEN | OPEN | NONE | NONE |

4 CIRCUIT

| PART NUMBER | HOUSING USED | REMOVED POSITION KEYS | CONFIGURATION | FIRST ENDWALL | LAST ENDWALL | POLARIZING RIB BETWEEN | COLOUR STRIPE |
|-------------|--------------|-----------------------|---------------|---------------|--------------|------------------------|---------------|
| 93051-2031 | 93049-0327 | NONE | | CLOSED | CLOSED | BETWEEN CCT 3&4 | NONE |
| 93051-2032 | 93049-0407 | NONE | | OPEN | OPEN | BETWEEN CCT 4&5 | NONE |
| 93051-2033 | 93049-0307 | NONE | | OPEN | OPEN | BETWEEN CCT 3&4 | NONE |

5 CIRCUIT

| PART NUMBER | HOUSING USED | REMOVED POSITION KEYS | CONFIGURATION | FIRST ENDWALL | LAST ENDWALL | POLARIZING RIB BETWEEN | COLOUR STRIPE |
|-------------|--------------|-----------------------|---------------|---------------|--------------|------------------------|---------------|
| 93051-3001 | 93049-0009 | NONE | | OPEN | OPEN | NONE | NONE |
| 93051-3002 | 93049-0009 | c e f h | | OPEN | OPEN | NONE | NONE |
| 93051-3003 | 93049-0009 | b d f g i | | OPEN | OPEN | NONE | NONE |
| 93051-3004 | 93049-0009 | c e g h | | OPEN | OPEN | NONE | NONE |
| 93051-3005 | 93049-0009 | a c | | OPEN | OPEN | NONE | NONE |
| 93051-3006 | 93049-0009 | NONE | | OPEN | OPEN | NONE | RED |
| 93051-3007 | 93049-0009 | b d f h j | | OPEN | OPEN | NONE | BLACK |
| 93051-3008 | 93049-0009 | NONE | | OPEN | OPEN | NONE | BLACK |
| 93051-3009 | 93049-0009 | b d e f h j | | OPEN | OPEN | NONE | BLACK |
| 93051-3010 | 93049-0009 | b c e g h | | OPEN | OPEN | NONE | NONE |
| 93051-3011 | 93049-0069 | NONE | | CLOSED | OPEN | NONE | NONE |
| 93051-3012 | 93049-0009 | a b | | OPEN | OPEN | NONE | NONE |
| 93051-3013 | 93049-0109 | NONE | | OPEN | OPEN | BETWEEN CCT 1&2 | NONE |
| 93051-3014 | 93049-0009 | b c d e f g i j | | OPEN | OPEN | NONE | NONE |

NOTES

- + DENOTES TERMINAL VOIDED POSITION
⊕ DENOTES TERMINAL LOADED POSITION
| DENOTES POLARIZING RIB POSITION
- MOLEX HOUSING NO. FOR REFERENCE ONLY

| | | | | | | | | | |
|---|--|---------------------|--|-------------------|--|-----------------|--|---|--|
| THIS DRAWING CONTAINS INFORMATION THAT IS PROPRIETARY TO MOLEX ELECTRONIC TECHNOLOGIES, LLC AND SHOULD NOT BE USED WITHOUT WRITTEN PERMISSION | | | | | | | | | |
| DIMENSION UNITS mm | | SCALE 1:1 | | CURRENT REV DESC: | | | | | |
| GENERAL TOLERANCES (UNLESS SPECIFIED) | | | | EC NO: 675456 | | | | | |
| ANGULAR TOL ± 0.5° | | 4 PLACES ± | | DRWN: MBN02 | | 2021/08/25 | | APPLI-MATE 2.5 FEMALE G.W.T. 750 VERSION 5MM PITCH | |
| 3 PLACES ± 0.05 | | 2 PLACES ± 0.1 | | CHK'D: MBN02 | | 2021/08/26 | | | |
| 1 PLACE ± 0.2 | | 0 PLACES ± | | APPR: SDEVITT | | 2021/09/28 | | PRODUCT CUSTOMER DRAWING | |
| DRAFT WHERE APPLICABLE MUST REMAIN WITHIN DIMENSIONS | | | | INITIAL REVISION: | | DOCUMENT NUMBER | | | |
| THIRD ANGLE PROJECTION | | DRAWING | | SERIES | | MATERIAL NUMBER | | CUSTOMER | |
| A2-SIZE | | 93051 | | SEE TABLE | | GENERAL MARKET | | 8 OF 9 | |

| 6 CIRCUIT | | | | | | | |
|-------------|--------------|-----------------------|---------------|---------------|--------------|------------------------|---------------|
| PART NUMBER | HOUSING USED | REMOVED POSITION KEYS | CONFIGURATION | FIRST ENDWALL | LAST ENDWALL | POLARIZING RIB BETWEEN | COLOUR STRIPE |
| 93051-4001 | 93049-0011 | NONE | | OPEN | OPEN | NONE | NONE |
| 93051-4002 | 93049-0011 | defghi | | OPEN | OPEN | NONE | NONE |
| 93051-4003 | 93049-0011 | cdehij | | OPEN | OPEN | NONE | NONE |
| 93051-4004 | 93049-0011 | abefghkl | | OPEN | OPEN | NONE | NONE |
| 93051-4005 | 93049-0011 | abefhik | | OPEN | OPEN | NONE | NONE |
| 93051-4006 | 93049-0011 | bcfgjk | | OPEN | OPEN | NONE | NONE |
| 93051-4007 | 93049-0011 | defghil | | OPEN | OPEN | NONE | NONE |
| 93051-4008 | 93049-0011 | NONE | | OPEN | OPEN | NONE | BLUE |
| 93051-4009 | 93049-0011 | abcdefijkl | | OPEN | OPEN | NONE | NONE |
| 93051-4010 | 93049-0011 | NONE | | OPEN | OPEN | NONE | GREEN |
| 93051-4011 | 93049-0011 | cdfhij | | OPEN | OPEN | NONE | NONE |
| 93051-4012 | 93049-0011 | abcdgijkl | | OPEN | OPEN | NONE | NONE |
| 93051-4013 | 93049-0011 | NONE | | OPEN | OPEN | NONE | BLACK |
| 93051-4014 | 93049-0011 | bdefhj | | OPEN | OPEN | NONE | BLACK |
| 93051-4015 | 93049-0011 | cdefghl | | OPEN | OPEN | NONE | NONE |
| 93051-4016 | 93049-0011 | cdefhjk | | OPEN | OPEN | NONE | NONE |
| 93051-4017 | 93049-0531 | NONE | | CLOSED | CLOSED | BETWEEN CCT 5&6 | NONE |
| 93051-4018 | 93049-0031 | NONE | | CLOSED | CLOSED | NONE | NONE |

| 7 CIRCUIT | | | | | | | |
|-------------|--------------|-----------------------|---------------|---------------|--------------|------------------------|---------------|
| PART NUMBER | HOUSING USED | REMOVED POSITION KEYS | CONFIGURATION | FIRST ENDWALL | LAST ENDWALL | POLARIZING RIB BETWEEN | COLOUR STRIPE |
| 93051-5001 | 93049-0013 | NONE | | OPEN | OPEN | NONE | NONE |
| 93051-5002 | 93049-0013 | cdghijk | | OPEN | OPEN | NONE | NONE |
| 93051-5003 | 93049-0013 | acdfg | | OPEN | OPEN | NONE | NONE |
| 93051-5004 | 93049-0033 | NONE | | CLOSED | CLOSED | NONE | NONE |
| 93051-5005 | 93049-0013 | NONE | | OPEN | OPEN | NONE | ORANGE |

| 8 CIRCUIT | | | | | | | |
|-------------|--------------|-----------------------|---------------|---------------|--------------|------------------------|---------------|
| PART NUMBER | HOUSING USED | REMOVED POSITION KEYS | CONFIGURATION | FIRST ENDWALL | LAST ENDWALL | POLARIZING RIB BETWEEN | COLOUR STRIPE |
| 93051-5501 | 93049-0015 | NONE | | OPEN | OPEN | NONE | NONE |
| 93051-5502 | 93049-0215 | NONE | | OPEN | OPEN | BETWEEN CCT 2&3 | NONE |

| 9 CIRCUIT | | | | | | | |
|-------------|--------------|-----------------------|---------------|---------------|--------------|------------------------|---------------|
| PART NUMBER | HOUSING USED | REMOVED POSITION KEYS | CONFIGURATION | FIRST ENDWALL | LAST ENDWALL | POLARIZING RIB BETWEEN | COLOUR STRIPE |
| 93051-6001 | 93049-0017 | NONE | | OPEN | OPEN | NONE | NONE |
| 93051-6002 | 93049-0017 | bcddefgij | | OPEN | OPEN | NONE | NONE |

| 10 CIRCUIT | | | | | | | |
|-------------|--------------|-----------------------|---------------|---------------|--------------|------------------------|---------------|
| PART NUMBER | HOUSING USED | REMOVED POSITION KEYS | CONFIGURATION | FIRST ENDWALL | LAST ENDWALL | POLARIZING RIB BETWEEN | COLOUR STRIPE |
| 93051-6501 | 93049-0019 | NONE | | OPEN | OPEN | NONE | NONE |
| 93051-6502 | 93049-9917 | NONE | | OPEN | OPEN | 17 & 18 | NONE (E1) |
| 93051-6503 | 93049-0819 | NONE | | OPEN | OPEN | 8 & 9 | NONE (E1) |

- NOTES
- + DENOTES TERMINAL VOIDED POSITION
⊕ DENOTES TERMINAL LOADED POSITION
| DENOTES POLARIZING RIB POSITION
 - MOLEX HOUSING NO. FOR REFERENCE ONLY

THIS DRAWING CONTAINS INFORMATION THAT IS PROPRIETARY TO MOLEX ELECTRONIC TECHNOLOGIES, LLC AND SHOULD NOT BE USED WITHOUT WRITTEN PERMISSION

| | | | | | | |
|--|------------------------|----------------------------|---|----------------|--|--------|
| DIMENSION UNITS | SCALE | CURRENT REV DESC: | molex | | | |
| mm | 1:1 | | | | | |
| GENERAL TOLERANCES (UNLESS SPECIFIED) | | | APPLI-MATE 2.5 FEMALE G.W.T. 750 VERSION 5MM PITCH | | | |
| ANGULAR TOL | ± 0.5° | EC NO: 675456 | PRODUCT CUSTOMER DRAWING | | | |
| 4 PLACES | ± | DRWN: MBN02 2021/08/25 | DOCUMENT NUMBER | | | |
| 3 PLACES | ± 0.05 | CHK'D: MBN02 2021/08/26 | 930510001 | | | |
| 2 PLACES | ± 0.1 | APPR: SDEVITT 2021/09/28 | DOC TYPE DOC PART REVISION | | | |
| 1 PLACE | ± 0.2 | INITIAL REVISION: | PSD 000 E1 | | | |
| 0 PLACES | ± | DRWN: CFISHER01 2016/01/19 | MATERIAL NUMBER | | | |
| | | APPR: MSHANAHAN 2016/02/09 | CUSTOMER | | | |
| DRAFT WHERE APPLICABLE MUST REMAIN WITHIN DIMENSIONS | THIRD ANGLE PROJECTION | DRAWING | SERIES | SHEET NUMBER | | |
| | | A2-SIZE | 93051 | SEE TABLE | | 9 OF 9 |
| | | | | GENERAL MARKET | | |