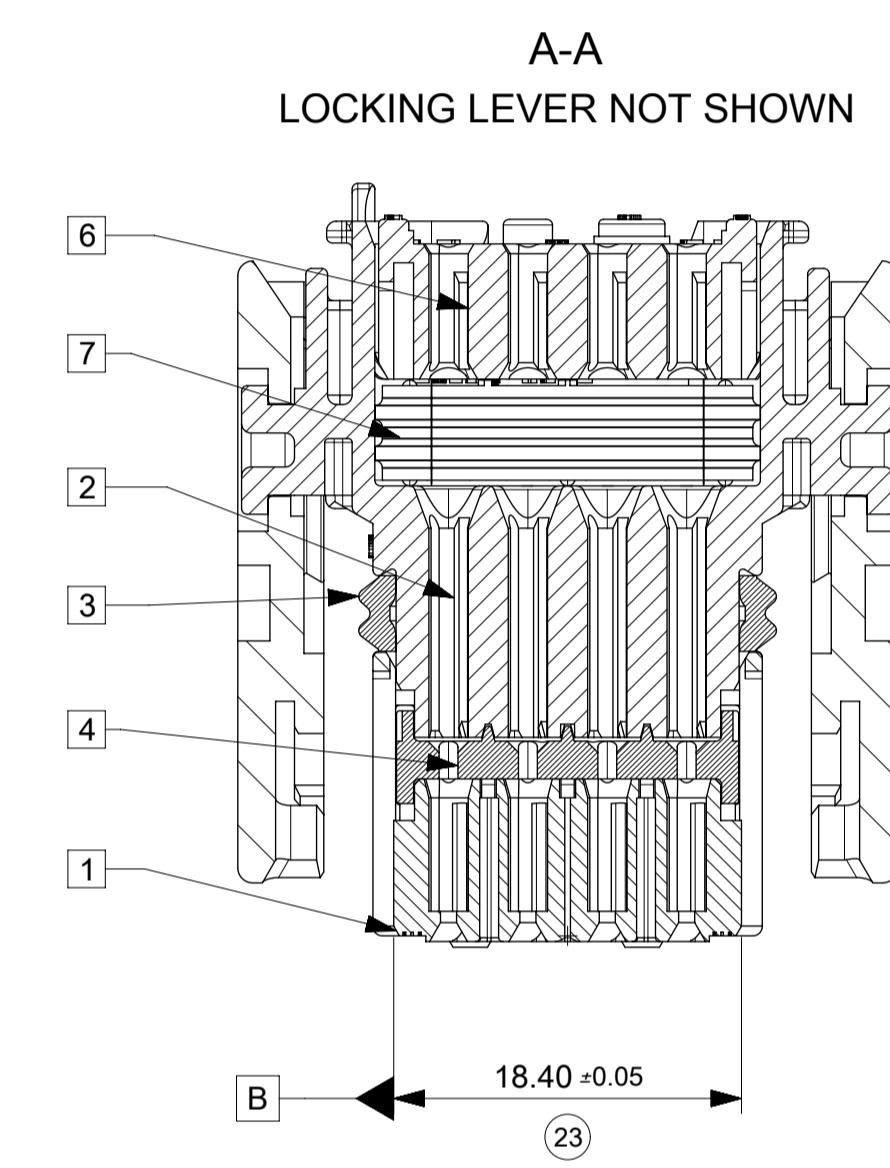
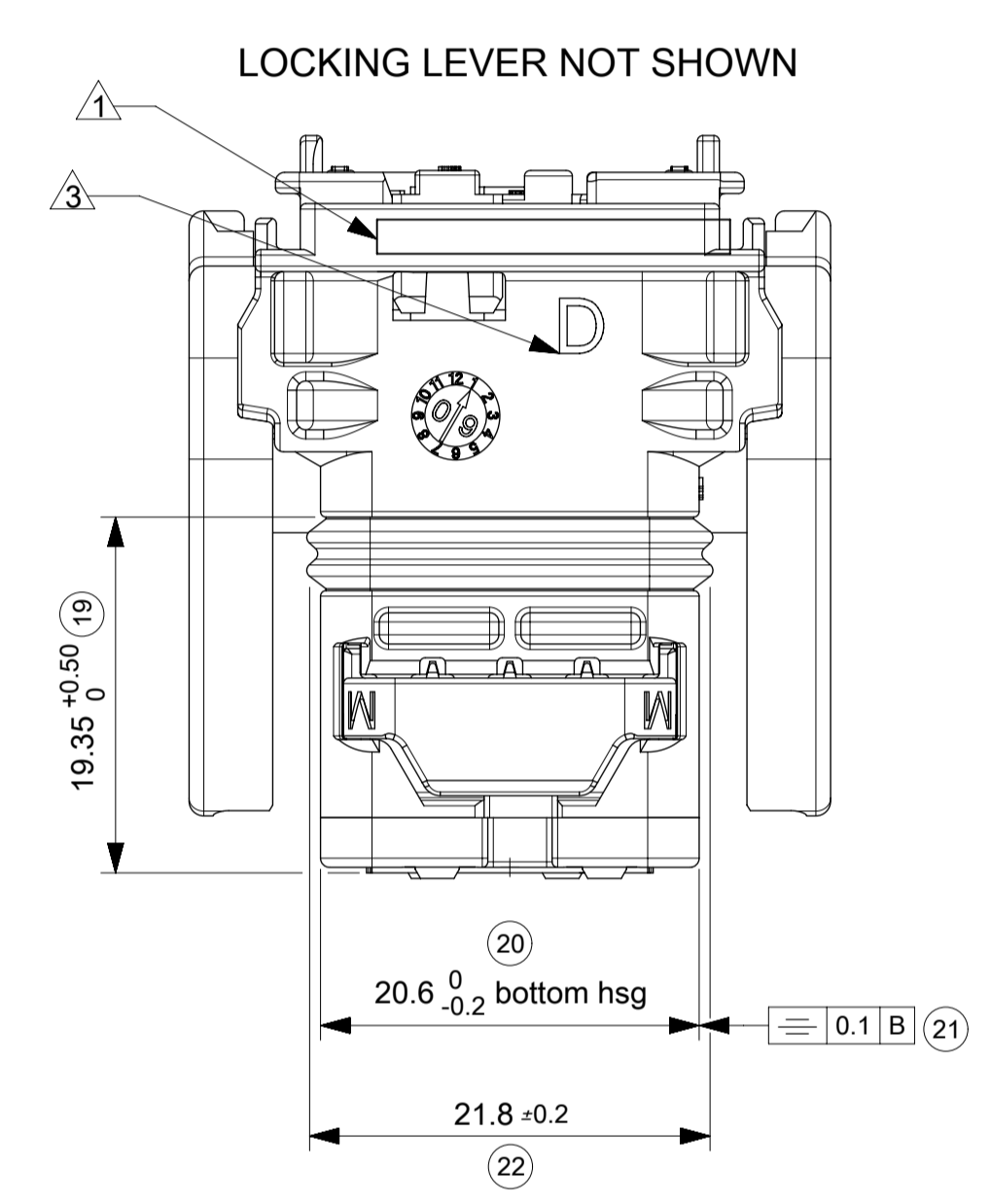
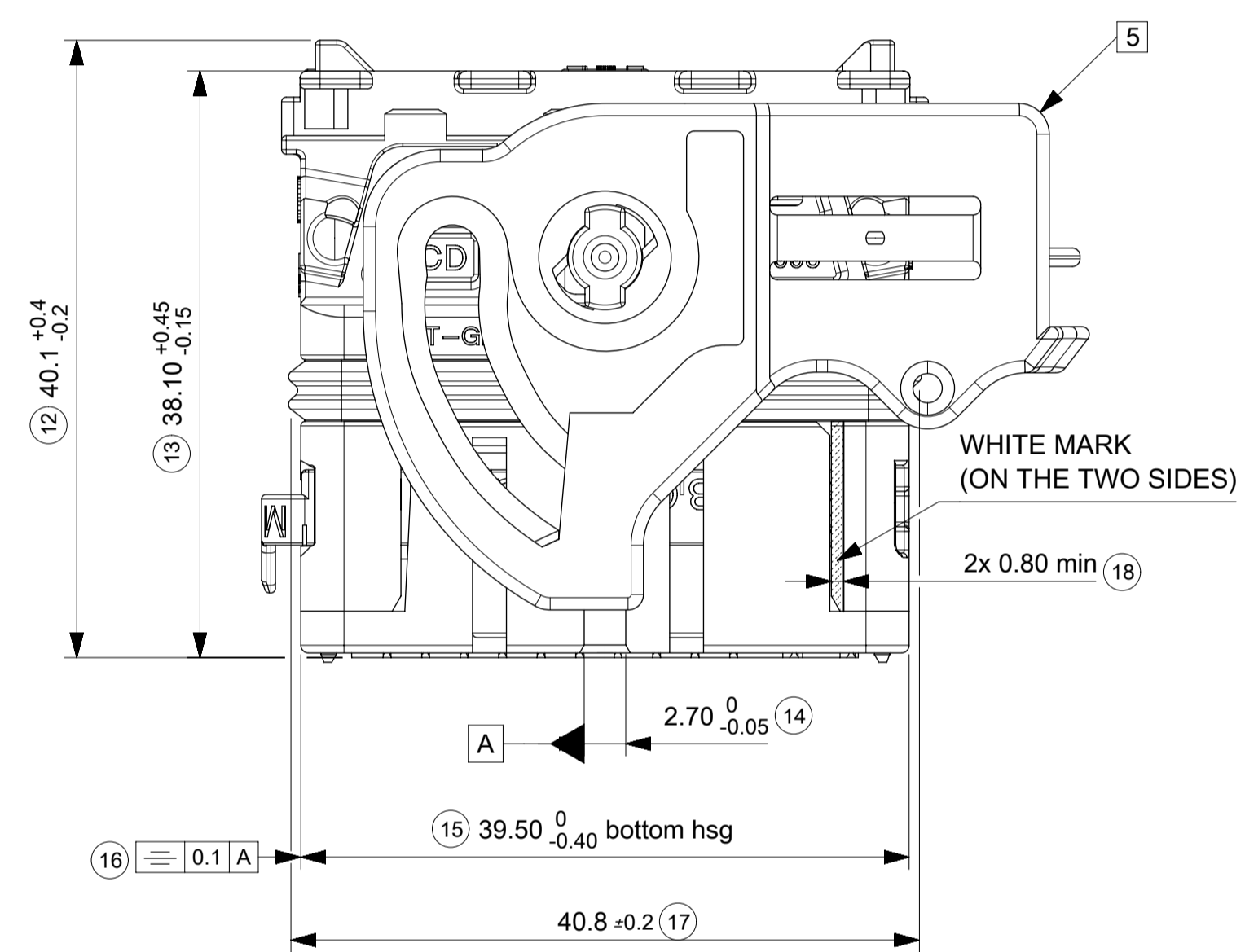
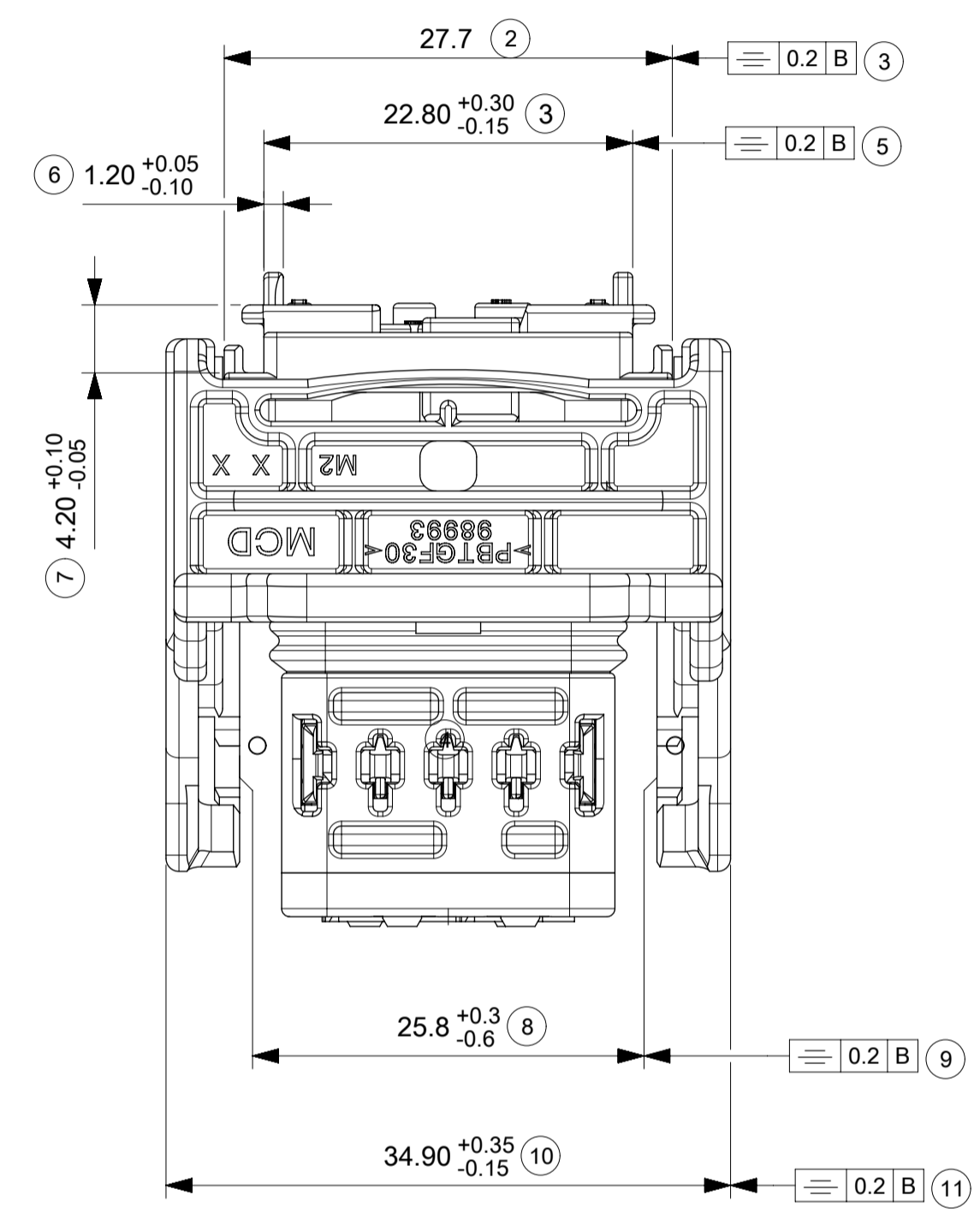
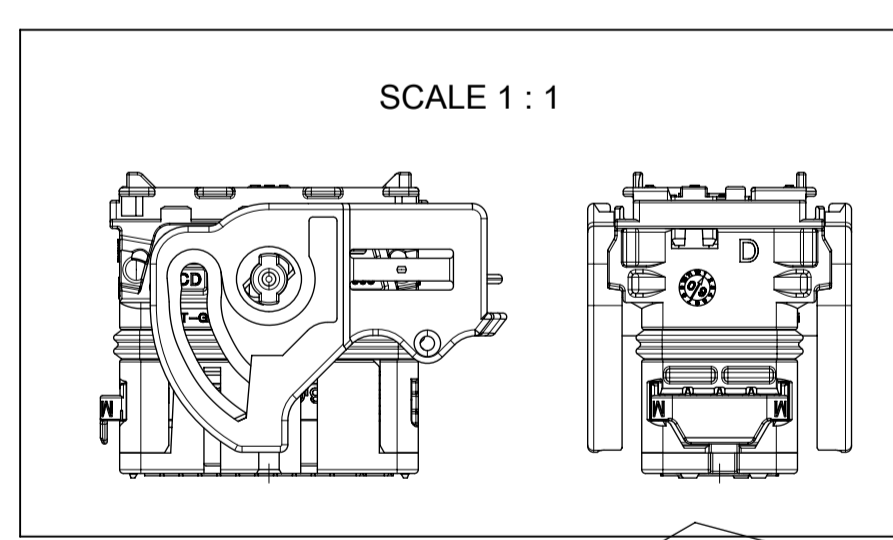
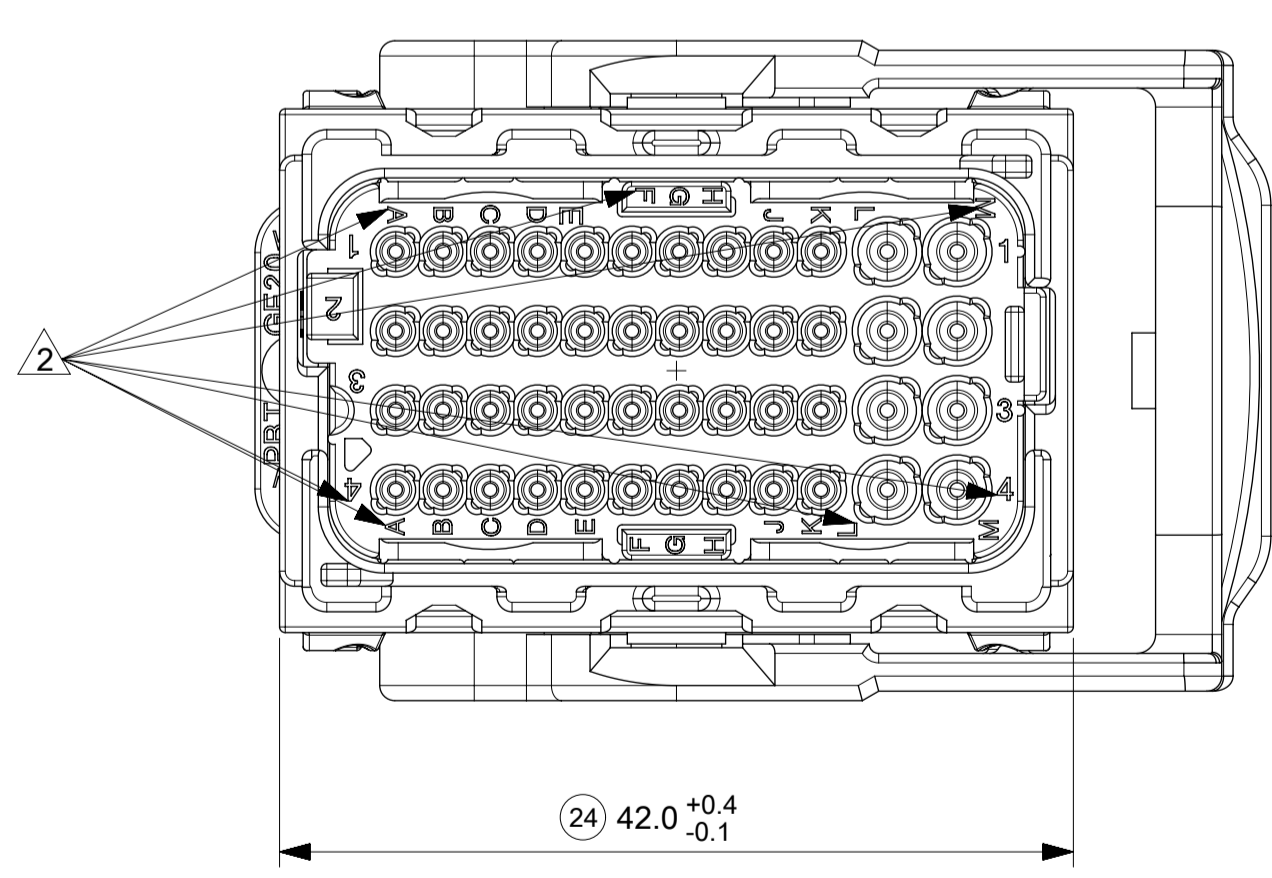


LEFT WIRE OUTPUT	
MATERIAL NUMBER	COLOR
0643201311	BLACK
0643201318	GREY
0643201319	BROWN
0643201315	GREEN



RIGHT WIRE OUTPUT	
MATERIAL NUMBER	COLOR
0643203311	BLACK
0643203318	GREY
0643203319	BROWN
0643203315	GREEN



PRE-RELEASE
REFERENCE
USE ONLY

- NOTES:
- FOR ILLUSTRATION PURPOSE THE FEMALE HOUSING SHOWN IS THE RIGHT WIRE OUTPUT VERSION CODING 1
 - APPLICATION SPECIFICATION: AS-64319-002
 - WIRES EXTERNAL DIAMETER USED:
FOR CP0.6 TERMINAL: USE WIRES WITH AN EXTERNAL DIAMETER BETWEEN Ø1.25MM MIN AND Ø1.90MM MAX
FOR CP1.5 TERMINAL: USE WIRES WITH AN EXTERNAL DIAMETER BETWEEN Ø1.40MM MIN AND Ø2.80MM MAX
 - THE CONNECTOR FITS WITH WIRE CAP (48 WAY) MOLEX P/N 0643201301
 - BLIND PLUG FOR 0.6 AND 1.5 CAVITIES (MOLEX P/N 0643251010 AND 0643251023)
 - DELIVERED PRODUCT WEIGHT: 33.8 g

7	MAT SEAL	Silicon	RED
6	BACK GRID 48W	>PBT-GF20<	GREY
5	LOCKING LEVER 48W	>PBT-GF30<	BLACK
4	SECONDARY LOCK	>PBT-GF20<	GREY
3	PERIPHERAL SEAL 48W	Silicon	RED
2	BACK PART	>PBT-GF20<	BLACK
1	FRONT PART	>PBT-GF20<	COLOR LINKED TO KEYING
REF.	DESIGNATION	MATERIAL	COLOR

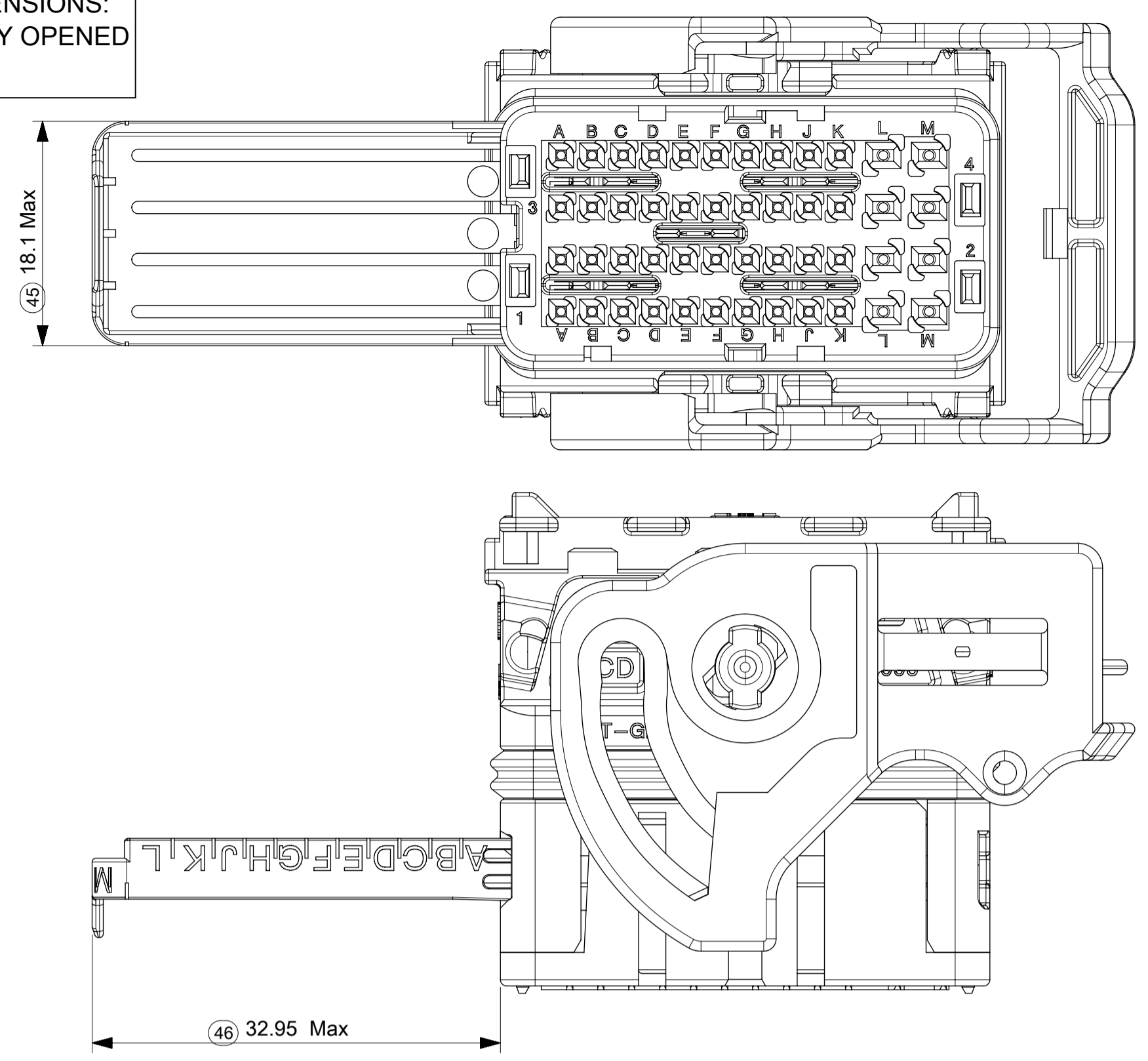
- MARKINGS :
- ▲ - Assembled part tracability
Year + Day
 - ▲ - Terminal cavities identification
 - ▲ - Lever position indication:
"D" LETTER VISIBLE=
part with "RIGHT WIRE OUTPUT"
"G" LETTER VISIBLE=
part with "LEFT WIRE OUTPUT"
 - ▲ - Supplier identification
 - ▲ - Material identification

THIS DRAWING CONTAINS INFORMATION THAT IS PROPRIETARY TO MOLEX ELECTRONIC TECHNOLOGIES, LLC AND SHOULD NOT BE USED WITHOUT WRITTEN PERMISSION		CURRENT REV DESC: SHEET2: TYPO ERROR			
DIMENSION UNITS	SCALE	EC NO: 616199			
mm	2.5:1	DRWN: GMANIVANNAN 2018/06/27		PRODUCT CUSTOMER DRAWING	
GENERAL TOLERANCES (UNLESS SPECIFIED)		CHK'D: CBOUCHAN 2019/06/03		DOCUMENT NUMBER	
ANGULAR TOL	± 2'	APPR:		SD-64320-001	
4 PLACES	± 0.1	INITIAL REVISION:		DOC TYPE DOC PART REVISION	
3 PLACES	± 0.1	DRWN: T.BADAROUX 2017/07/16		PSD 001 H1	
2 PLACES	± 0.1	APPR: C.BOUCHAN 2007/07/16		MATERIAL NUMBER	
1 PLACE	± 0.1	DRAFT WHERE APPLICABLE MUST REMAIN WITHIN DIMENSIONS		CUSTOMER	
0 PLACES	±	FIRST ANGLE PROJECTION		GENERAL MARKET	
DRAWING		SERIES		SHEET NUMBER	
A1-SIZE		64320		1 OF 2	

DOCUMENT STATUS	RV	RELEASE DATE
18	17	16

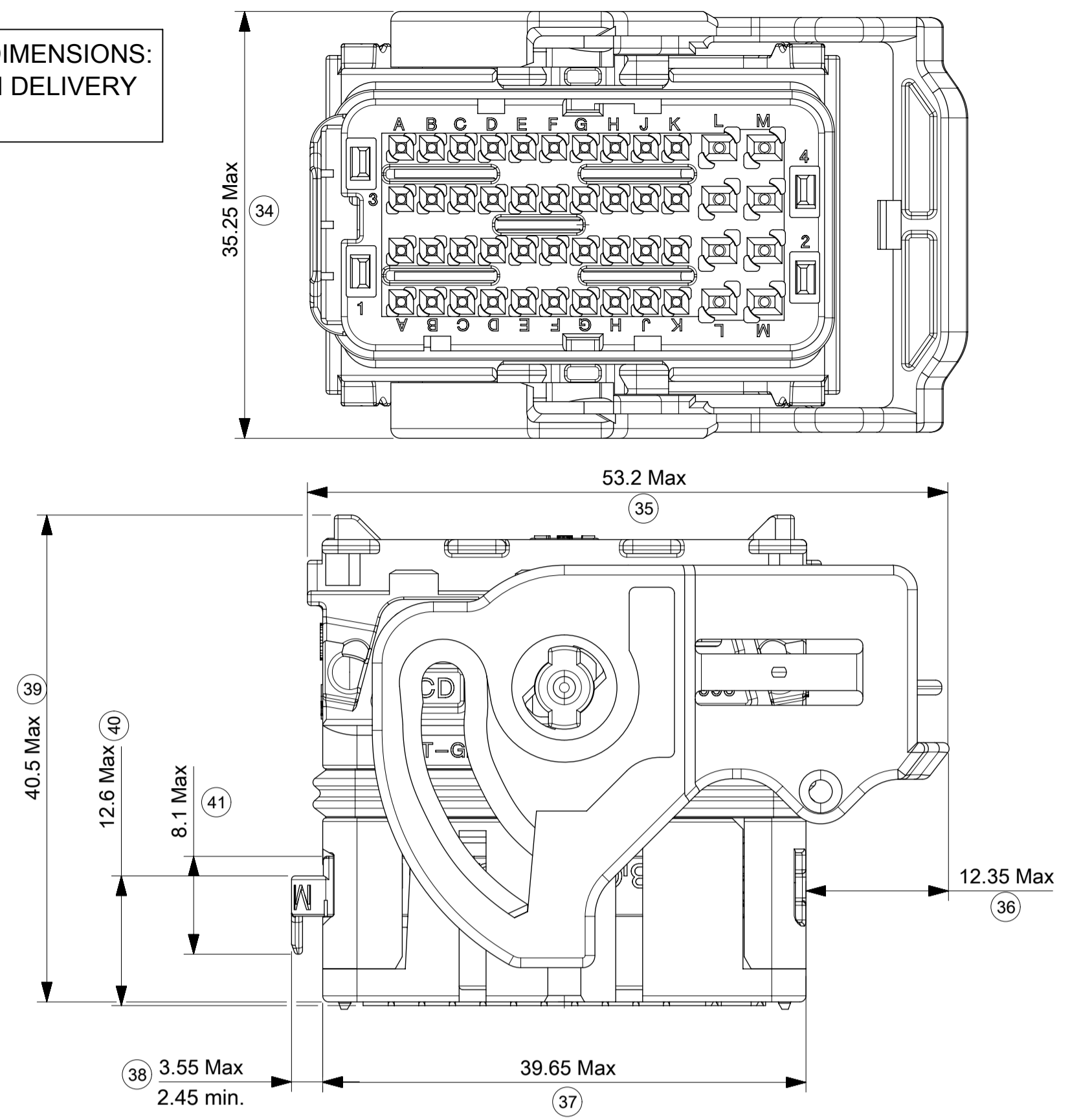
CONNECTOR OVERALL DIMENSIONS:
SECONDARY LOCKING FULLY OPENED
FOR TERMINAL INSERTION

RIGHT WIRE OUTPUT

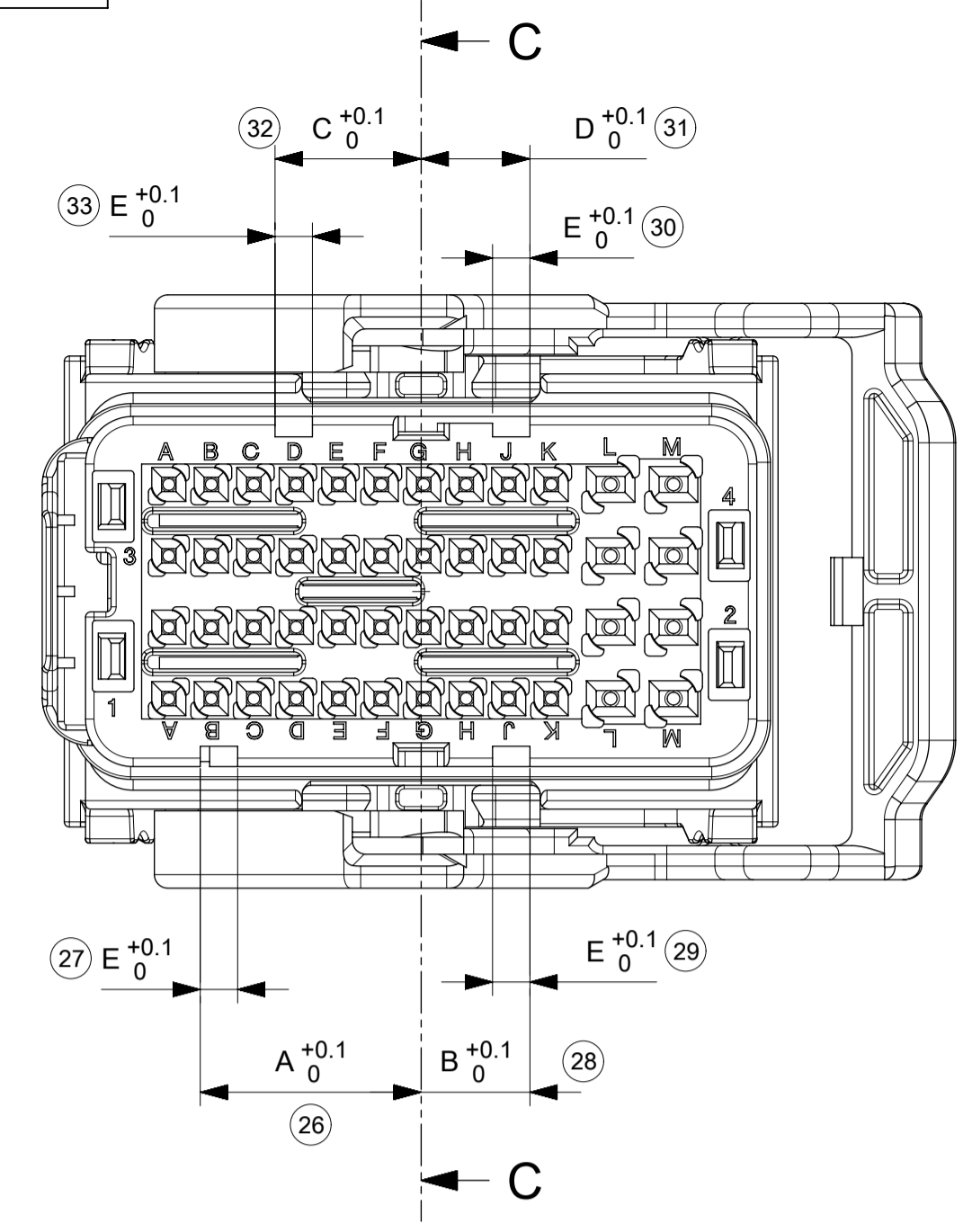


CONNECTOR OVERALL DIMENSIONS:
SECONDARY LOCKING IN DELIVERY
POSITION

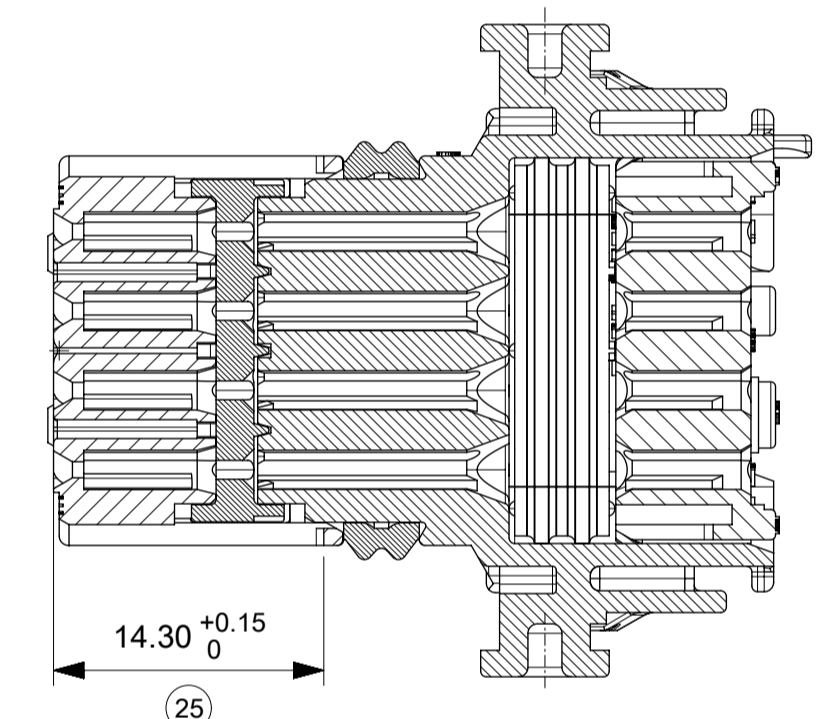
RIGHT WIRE OUTPUT



CODING POSITION

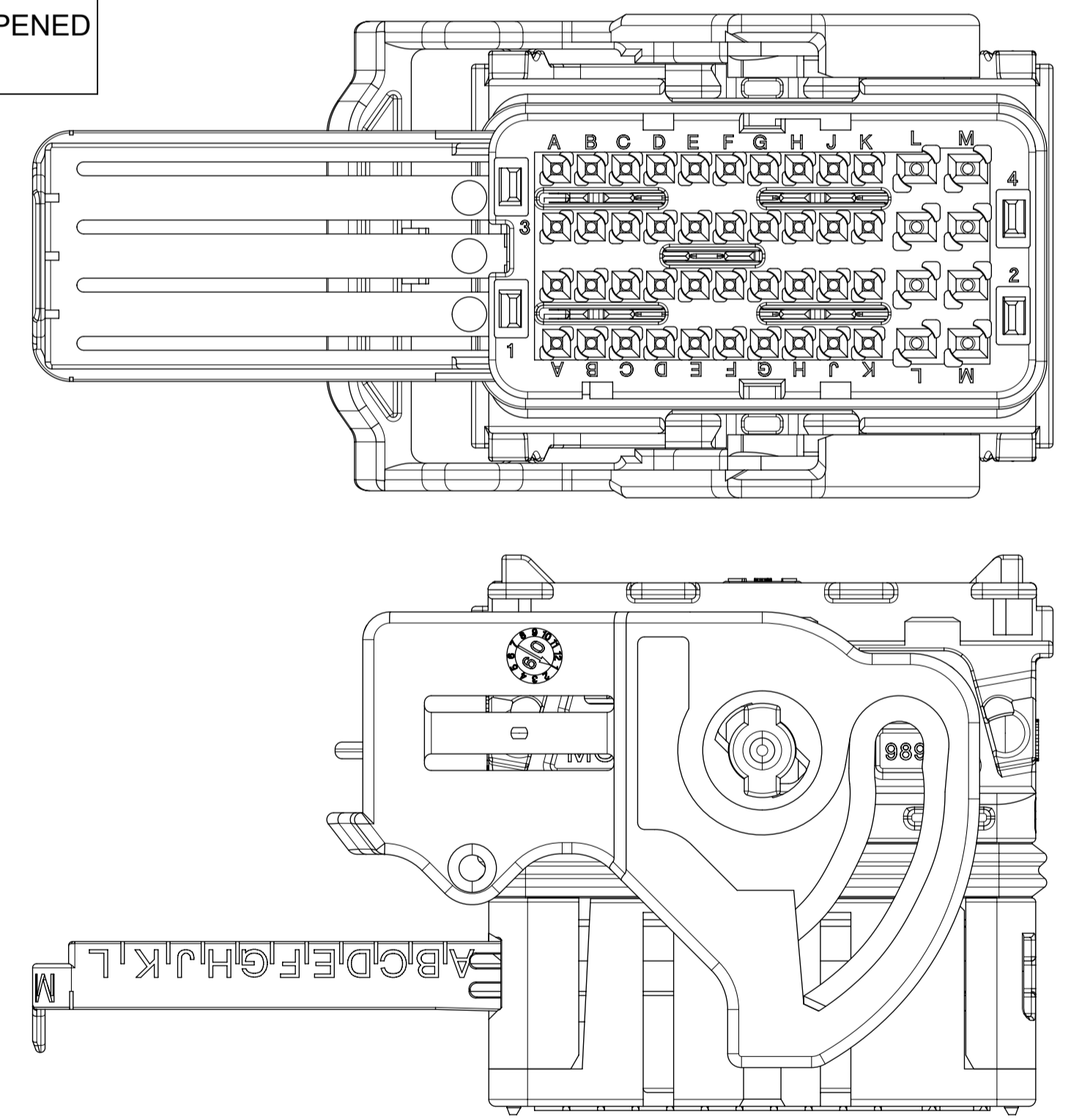


C-C
LOCKING LEVER NOT SHOWN



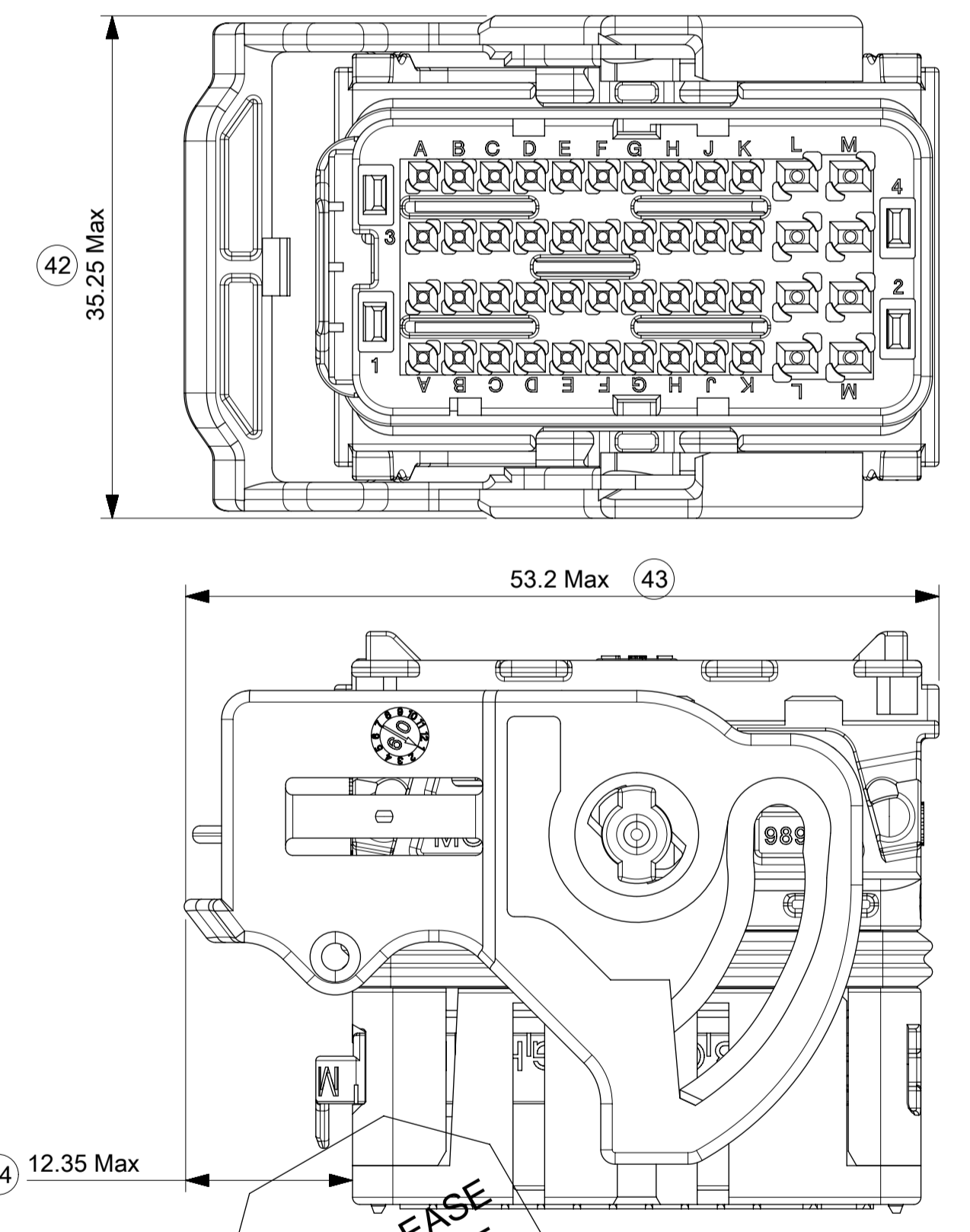
CONNECTOR OVERALL DIMENSIONS:
SECONDARY LOCKING FULLY OPENED
FOR TERMINAL INSERTION

LEFT WIRE OUTPUT



CONNECTOR OVERALL DIMENSIONS:
SECONDARY LOCKING IN DELIVERY
POSITION

LEFT WIRE OUTPUT



COLOR	CODING	A	B	C	D	E
BLACK	1	13	6.4	8.6	6.4	2.2
GREY	2	10.8	8.6	13	8.6	2.2
BROWN	3	8.6	10.8	13	13	2.2
GREEN	4	10.8	13	6.4	6.4	2.2

PRE-RELEASE
REFERENCE
USE ONLY

TERMINALS USED				
CAVITY N°	FEMALE TERMINALS (Section mm2)	PLATING	MOLEX P/N°	min / MAX WIRE INSULATION DIAMETER (mm)
A1 to K1 A2 to K2 A3 to K3 A4 to K4	CP 0.6 0.35mm2	Tin plated	0643221019	Ø1.25 min / Ø1.40 Max
		Gold plated	0643221229	
	CP 0.6 0.5mm2	Tin plated	0643221039	Ø1.40 min / Ø1.70 Max
		Gold plated	0643221239	
L1 to L4 M1 to M4	CP 0.6 0.75mm2	Tin plated	0643221029	Ø1.60 min / Ø1.90 Max
		Gold plated	0643221219	
	CP 1.5 0.5mm2 to 1mm2	Tin plated	0643231029	Ø1.40 min / Ø2.15 Max
		Gold plated	0643231319	
	CP 1.5 >1mm2 TO 2mm2	Tin plated	0643231039	Ø2.10 min / Ø2.80 Max
		Gold plated	0643231219	

THIS DRAWING CONTAINS INFORMATION THAT IS PROPRIETARY TO MOLEX ELECTRONIC TECHNOLOGIES, LLC AND SHOULD NOT BE USED WITHOUT WRITTEN PERMISSION

DIMENSION UNITS: mm SCALE: 2.5:1

GENERAL TOLERANCES (UNLESS SPECIFIED):
 ANGULAR TOL ± 2°
 4 PLACES ± 0.1
 3 PLACES ± 0.1
 2 PLACES ± 0.1
 1 PLACE ± 0.1
 0 PLACES ±

DRAFT WHERE APPLICABLE MUST REMAIN WITHIN DIMENSIONS

FIRST ANGLE PROJECTION

DRAWING: A1-SIZE

SERIES: 64320

CURRENT REV DESC: SHEET2: TYPO ERROR

EC NO: 616199
 DRWN: GMANIVANNAN 2018/06/27
 CHK'D: CBOUCHAN 2019/06/03
 APPR:

INITIAL REVISION:
 DRWN: T.BADAROUX 2007/07/16
 APPR: C.BOUCAN 2007/07/16

PRODUCT CUSTOMER DRAWING

DOCUMENT NUMBER: SD-64320-001
 DOC TYPE: PSD
 DOC PART: 001
 REVISION: H1

MATERIAL NUMBER: SEE SHEET 1
 CUSTOMER: GENERAL MARKET
 SHEET NUMBER: 2 OF 2