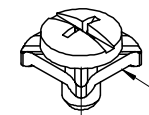
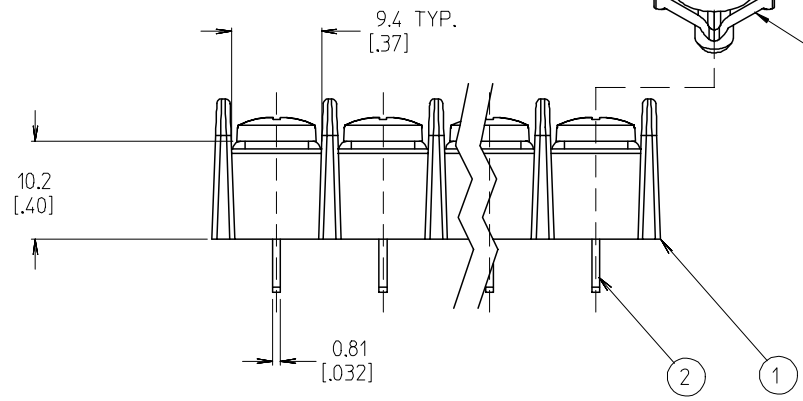
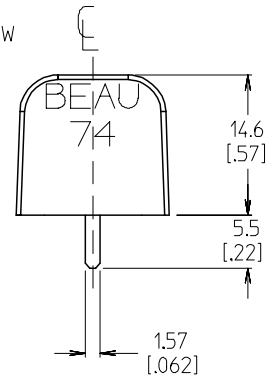


4 CIRCUIT SHOWN



4 REF -A-50 OPTION SCREW (WHERE APPLICABLE)



- NOTES:
1. MATERIAL: SEE TABLE
  2. FINISHES: SEE TABLE
  3. PRODUCT SPECIFICATION: NOT REQUIRED
  4. INCH DIMENSIONS ARE SHOWN IN BRACKETS [XXX].
  5. 'XX' REFERS TO THE QUANTITY OF CIRCUITS.
  6. ALL COMPONENTS ARE ROHS COMPLIANT.

ITEM	QTY	DESCRIPTION	MATERIAL	FINISH
4	XX	SCREW, #8-32X.250, PAN HD, PHIL-SLOT, W/WSHR (-A-50 OPTION)	STEEL	ZINC CHROMATE
3	XX	SCREW, #8-32X.290, BIND. HD, PHIL-SLOT (-A)	BRASS	NICKEL
2	XX	TERMINAL, PC	BRASS	TIN
1	1	INSULATOR, SINGLE ROW, MO (-C)	THERMOPLASTIC	BLACK

INITIAL RELEASE	2006/09/28	2006/09/28
EC NO: ETC2007-0073	DRW: NEHLE	CHKD: JMACNEIL
	APPR: JMACNEIL	2006/09/29
DESCRIPTION		
REV		

QUALITY SYMBOLS	
	= 0.05
	= 0.1

GENERAL TOLERANCES (UNLESS SPECIFIED)	
4 PLACES	± 0.3
3 PLACES	± 0.13
2 PLACES	± 0.05
1 PLACE	± 0.025
ANGULAR ± 2 °	

DIMENSION STYLE		SCALE	DESIGN UNITS	THIRD ANGLE PROJECTION
MM/IN		2:1	INCH	
DRAWN BY	DATE	TITLE		
EHILE	2006/08/31	11.11MM [0.438] SR BTS		
CHECKED BY	DATE	LOW PROFILE ASSY,		
JMACNEIL	2006/08/31	-A-C OPTION		
APPROVED BY	DATE	MOLEX INCORPORATED		
JMACNEIL	2006/08/31	MATERIAL NO. SD-38741-003		
SEE CHART		DOCUMENT NO.	SHEET NO.	
SEE CHART			1 OF 2	

NO. OF CIRCUITS 'XX'	DM. 'A'	DM. 'B'	ASSEMBLY MATERIAL NO. (-A-C OPTION)	ASSEMBLY MATERIAL NO. (-A-C-50 OPTION)
02	24.5 [97]	11.11 [.438]	387419802	387420002
03	35.7 [1.40]	22.23 [.875]	387419803	387420003
04	46.8 [1.84]	33.34 [1.313]	387419804	387420004
05	57.9 [2.28]	44.45 [1.750]	387419805	387420005
06	69.0 [2.72]	55.56 [2.188]	387419806	387420006
07	80.1 [3.15]	66.68 [2.625]	387419807	387420007
08	91.2 [3.59]	77.79 [3.063]	387419808	387420008
09	102.3 [4.03]	88.90 [3.500]	387419809	387420009
10	113.4 [4.47]	100.01 [3.938]	387419810	387420010
11	124.6 [4.90]	111.13 [4.375]	387419811	387420011
12	135.7 [5.34]	122.24 [4.813]	387419812	387420012
13	146.8 [5.78]	133.35 [5.250]	387419813	387420013
14	157.9 [6.22]	144.46 [5.688]	387419814	387420014
15	169.0 [6.65]	155.58 [6.125]	387419815	387420015
16	180.1 [7.09]	166.69 [6.563]	387419816	387420016
17	191.2 [7.53]	177.80 [7.000]	387419817	387420017
18	202.3 [7.97]	188.91 [7.438]	387419818	387420018
19	213.5 [8.40]	200.03 [7.875]	387419819	387420019
20	224.6 [8.84]	211.14 [8.313]	387419820	387420020
21	235.7 [9.28]	222.25 [8.750]	387419821	387420021
22	246.8 [9.72]	233.36 [9.188]	387419822	387420022
23	257.9 [10.15]	244.48 [9.625]	387419823	387420023
24	269.0 [10.59]	255.59 [10.063]	387419824	387420024
25	280.1 [11.03]	266.70 [10.500]	387419825	387420025
26	291.2 [11.47]	277.81 [10.938]	387419826	387420026
27	302.4 [11.90]	288.93 [11.375]	387419827	387420027
28	313.5 [12.34]	300.04 [11.813]	387419828	387420028
29	324.6 [12.78]	311.15 [12.250]	387419829	387420029
30	335.7 [13.22]	322.26 [12.688]	387419830	387420030

INITIAL RELEASE EC NO: ETC2007-0073 DRW: EHILE CHKD: JMACNEIL APPR: JMACNEIL 2006/09/28 2006/09/28 2006/09/29	DESCRIPTION A	QUALITY SYMBOLS ▽=0 ▽=0	GENERAL TOLERANCES (UNLESS SPECIFIED)		DIMENSION STYLE MM/IN		SCALE 2:1	DESIGN UNITS INCH	THIRD ANGLE PROJECTION
			4 PLACES ± --- ± ---	3 PLACES ± --- ± .005	DRAWN BY EHILE	DATE 2006/08/31	TITLE 11.11MM [.438] SR BTS LOW PROFILE ASSY, -A-C OPTION		
			2 PLACES ± 0.13 ± .01	1 PLACE ± 0.3 ± ---	CHECKED BY JMACNEIL	DATE 2006/08/31			
			ANGULAR ± 2 °		APPROVED BY JMACNEIL		DATE 2006/08/31	MOLEX INCORPORATED	
DRAFT WHERE APPLICABLE MUST REMAIN WITHIN DIMENSIONS			MATERIAL NO. SEE CHART		DOCUMENT NO. SD-38741-003		SHEET NO. 2 OF 2		
			SIZE B		THIS DRAWING CONTAINS INFORMATION THAT IS PROPRIETARY TO MOLEX INCORPORATED AND SHOULD NOT BE USED WITHOUT WRITTEN PERMISSION				