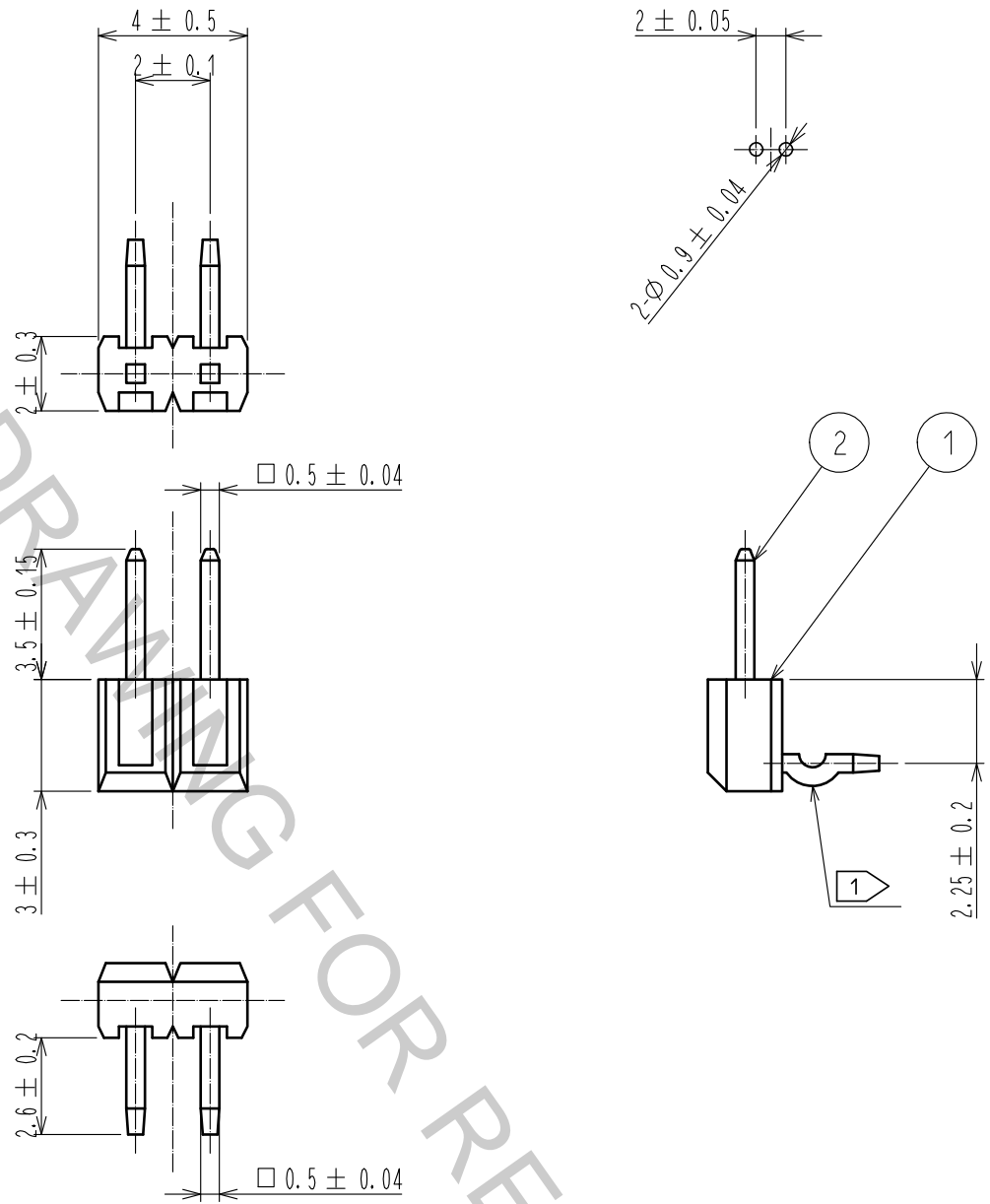


RECOMMENDED PC BOARD HOLE PATTERN

t=1.6 (2:1)



NOTES 1 2 TERMINALS SHALL BE KINKED.

1	POLYAMIDE	BLACK, UL94V-0	2	PHOSPHOR BRONZE	CONTACT: GOLD PLATING 0.03μm MIN DIP : TIN PLATING 2μm MIN UNDER : NICKEL PLATING 2μm MIN
NO.	MATERIAL	FINISH . REMARKS	NO.	MATERIAL	FINISH . REMARKS
UNITS mm		SCALE 5:1	COUNT 	DESCRIPTION OF REVISIONS	DESIGNED
					CHECKED
					DATE
HIROSE ELECTRIC CO., LTD.			APPROVED : HS. OKAWA	15.06.04	DRAWING NO. EDC-080140-71-21
			CHECKED : HT. YAMAGUCHI	15.06.04	PART NO. A4B-2PA-2DS(71)
			DESIGNED : MT. ITANO	15.06.04	CODE NO. CL622-0351-1-71
			DRAWN : MT. ITANO	15.06.04	