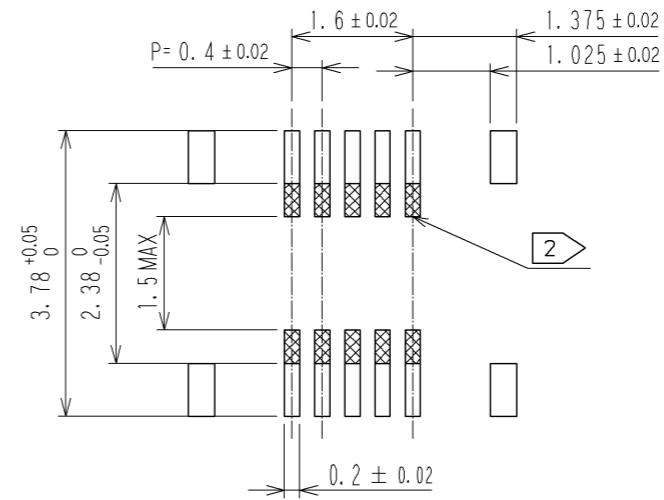
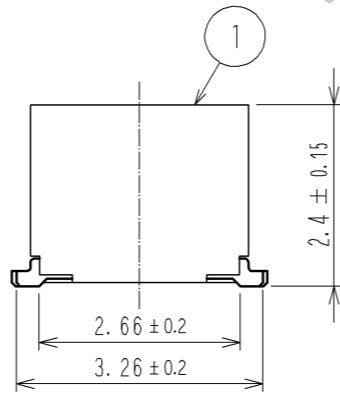
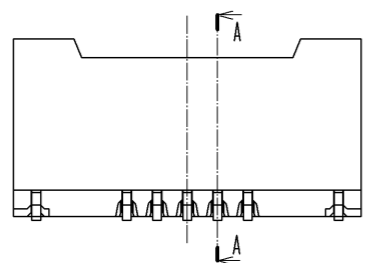


RECOMMENDED PATTERN

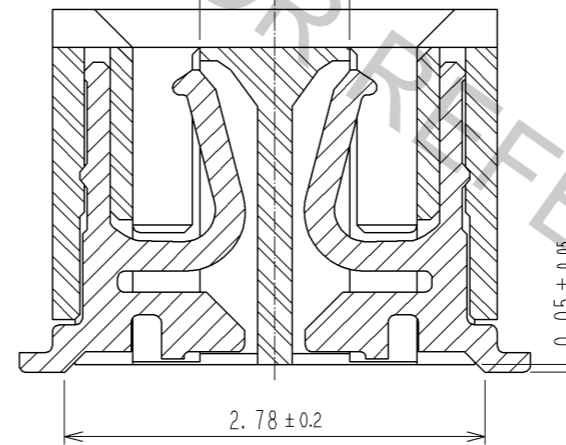


RECOMMENDED METAL MASK THICKNESS : 120um
 RECOMMENDED METAL MASK OPENING RATIO : 80% FOR LEAD PAD

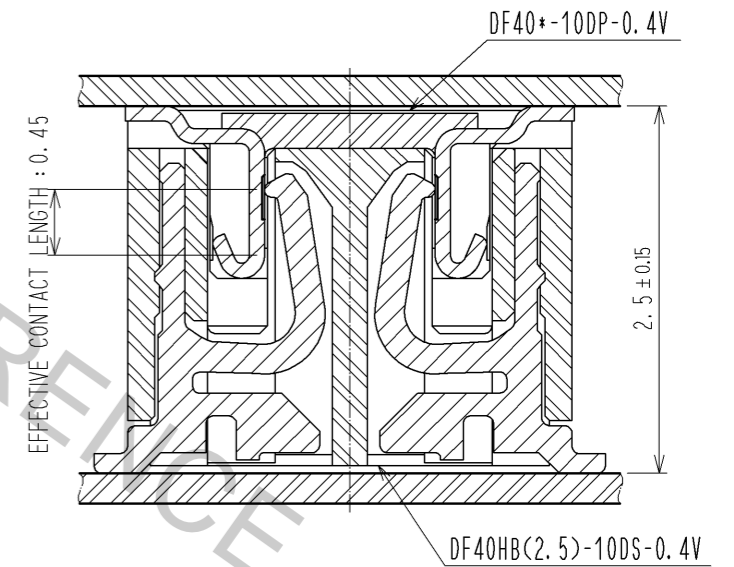


A-A (20:1)

PICK AND PLACE AREA : 0.99 ± 0.1



ENGAGED FIGURE (20:1)



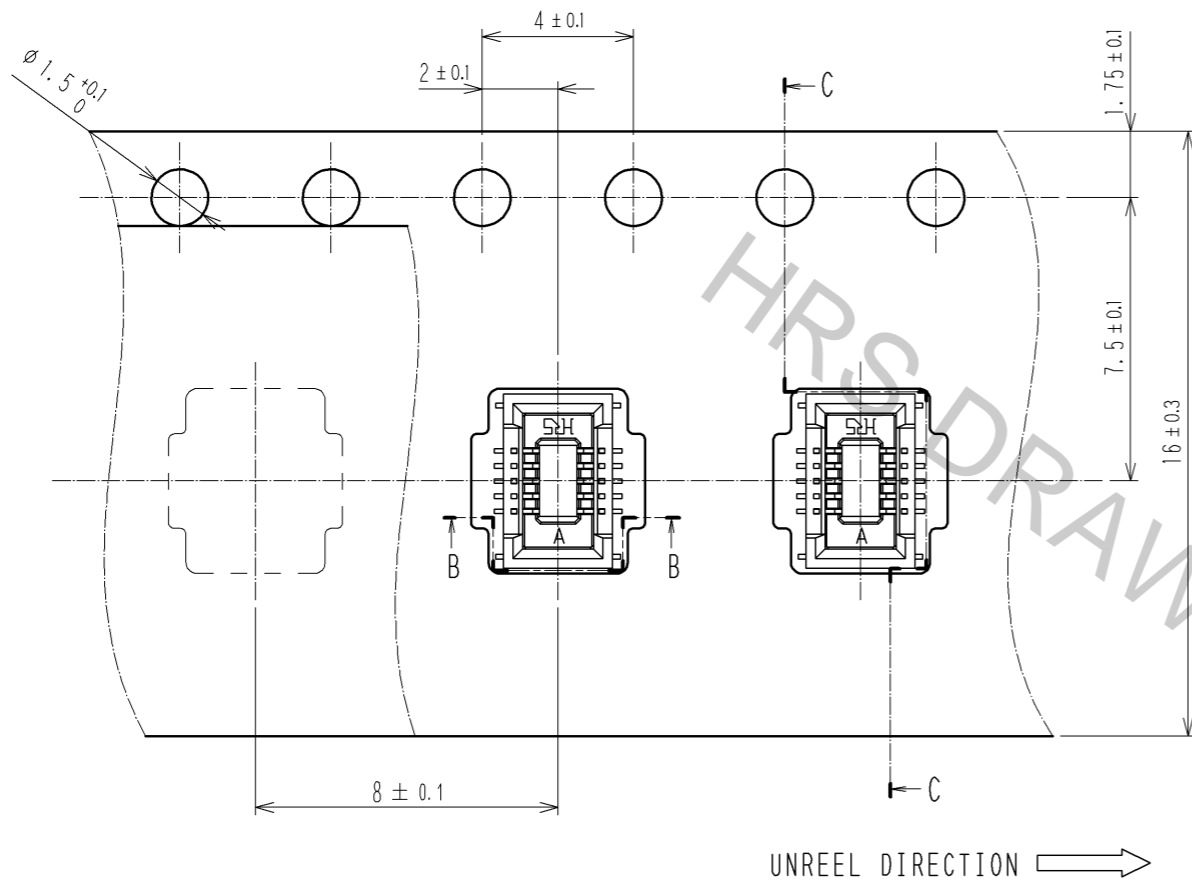
NOTE 1. ALL LEADS CO-PLANARITY SHALL BE 0.1 MAX.
 2 IS NO PATTERN AREA OTHER THAN THE SAME CIRCUIT.
 3 HRS MARK AND CAV NO. IS INDICATED IN APPROXIMATE POSITION SHOWN.
 4 GATE POSITION IS IN APPROXIMATE AREA SHOWN.

NO.	MATERIAL	FINISH . REMARKS	NO.	MATERIAL	FINISH . REMARKS
2	PHOSPHOR BRONZE	CONTACT AREA:GOLD 0.05 μm MIN SMT LEAD:GOLD 0.05 μm MIN UNDERPLATING:NICKEL 1 μm MIN	7	PS	CLEAR, REINFORCEMENT COLLAR
1	LCP	BLACK, UL94V-0	6	PS	BLACK, PLASTIC REEL
			5	POLYESTER	CLEAR, COVER TAPE
			4	PS	CLEAR, EMBOSSED CARRIER TAPE
			3	PHOSPHOR BRONZE	GOLD 0.05 μm MIN

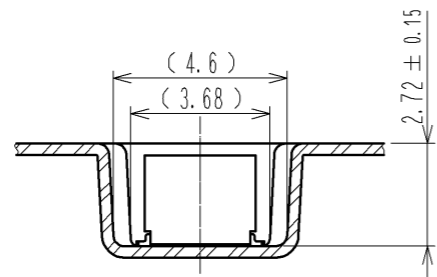
UNITS	SCALE	COUNT	DESCRIPTION OF REVISIONS	DESIGNED	CHECKED	DATE
mm	10 : 1	△	APPROVED : KH. IKEDA 14.05.30			
			CHECKED : TS. MIYAZAKI 14.05.30			
			DESIGNED : TY.001 14.05.29			
			DRAWN : TY.001 14.05.29			

DRAWING NO.	EDC3-345844-01
PART NO.	DF40HB(2.5)-10DS-0.4V(51)
CODE NO.	CL684-4189-3-51

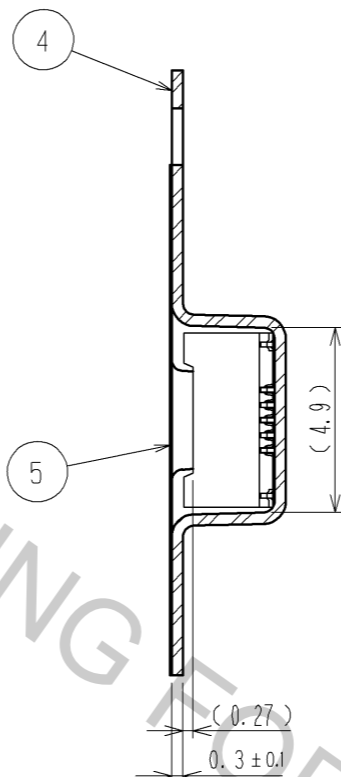
EMBOSSED CARRIER TAPE PACKAGING (5:1)



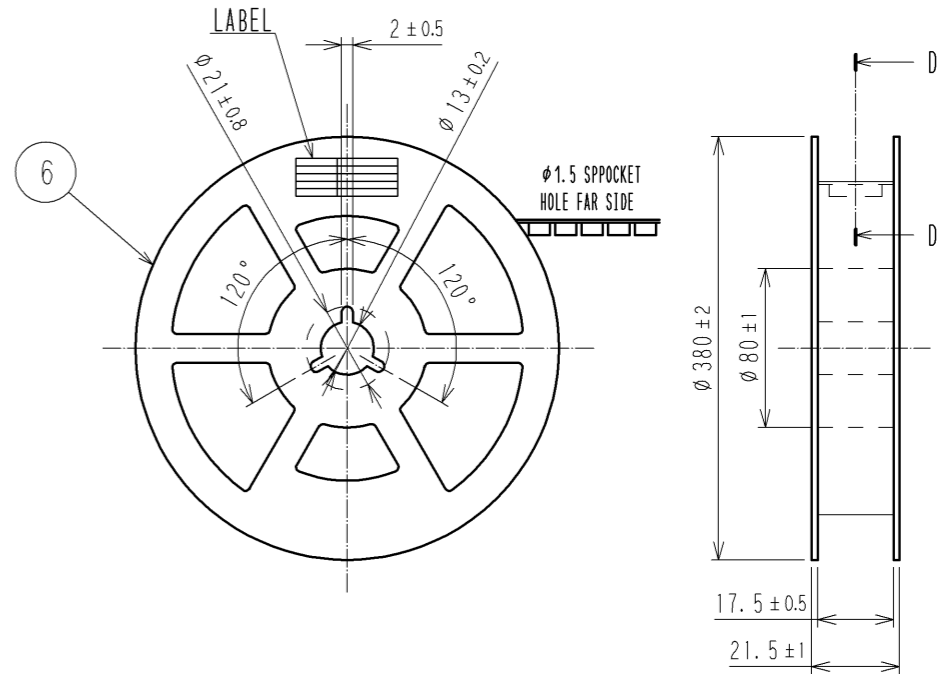
B-B (5:1)



C-C (5:1)



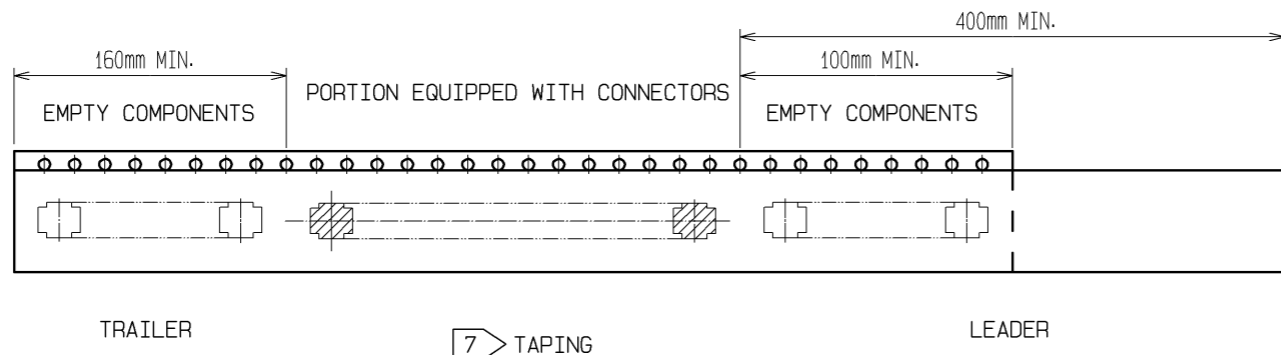
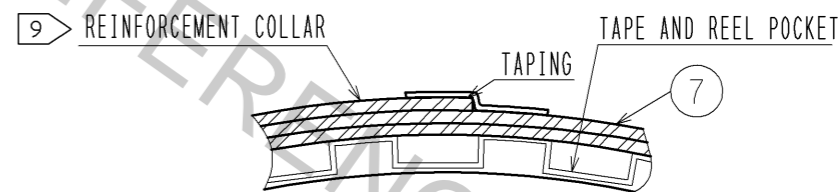
STYLE AND DIMENSION OF REEL (FREE SIZE)



8 > DETAIL OF PART NO. LABEL

製造年月日	** ** *
製品コード	CL684-4189-3-51
製品名	DF40HB(2.5)-10DS-0.4V(51)
数量	3000
納入者	ヒロセ電機(株)

D-D (FREE)



- NOTES)
- PER REEL 3000 CONNECTORS.
 - THE DIMENSIONS IN PARENTHESSES ARE FOR REFERENCE.
 - REFER TO JIS C 0806(PACKING OF COMPONENTS FOR AUTOMATIC HANDLING)
 - DETAIL OF PART NO. LABEL IS WRITTEN IN JAPANESE.
 PRODUCTION DATE: ** ** **
 PRODUCT CODE: CL684-4189-3-51
 PART NUMBER: DF40HB(2.5)-10DS-0.4V(51)
 NUMBER OF PIECES: 3000 PIECES
 SUPPLIER NAME: HIROSE ELECTRIC CO., LTD.
 - AFTER PACKAGING, ROLL 2 METERS OF THE REINFORCEMENT COLLAR TO OUTER CIRCUMFERENCE OF TAPE AND REEL POCKET. AND TAPE DOWN AT THE END THE COLLAR.

HRS	DRAWING NO.	EDC3-345844-01
	PART NO.	DF40HB(2.5)-10DS-0.4V(51)
	CODE NO.	CL684-4189-3-51
		\triangle 2/2