

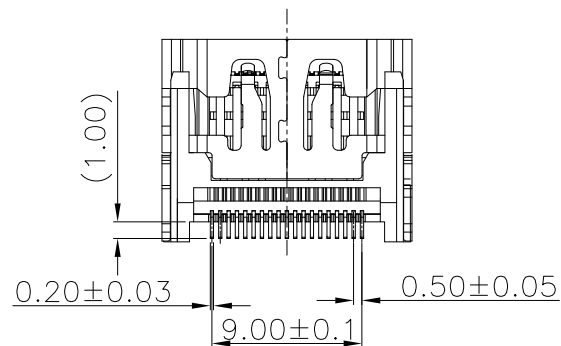
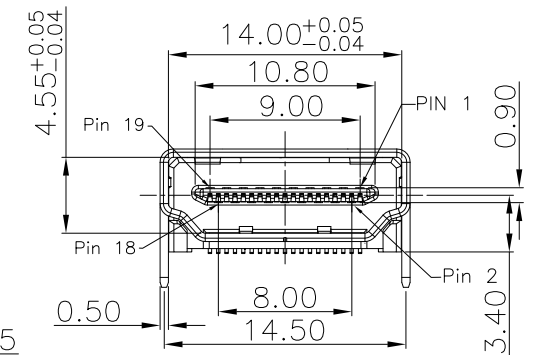
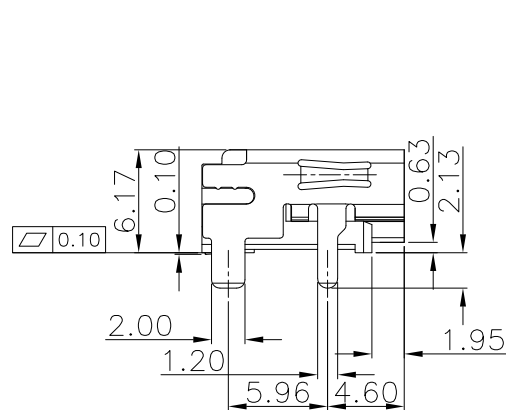
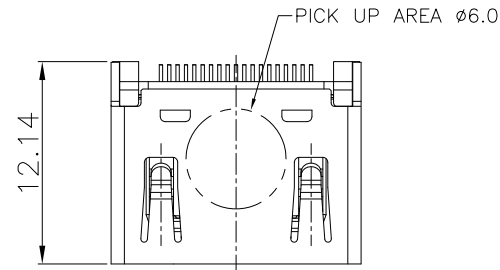
1

2

3

4

5



Specifications:

Current rating:0.5A AC/DC.

Voltage rating:500V AC/DC

Contact resistance:30m ohm Max.

Insulation resistance: 100M ohm. Min.

Withstanding voltage:500V AC/minute.

Operating temperature range: $-25^{\circ}\text{C} \sim +85^{\circ}\text{C}$

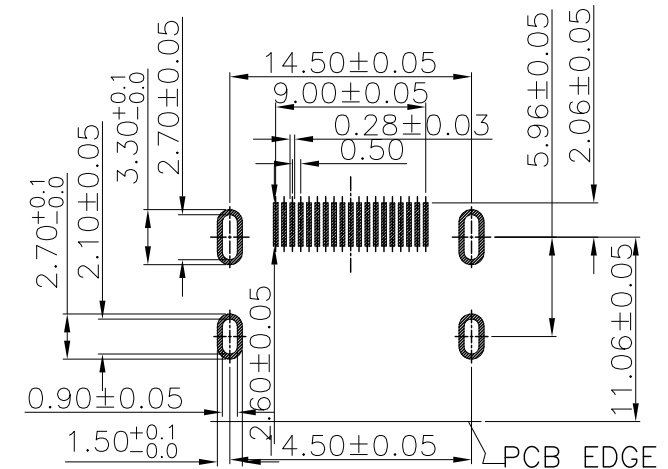
Material:

Insulator:LCP (UL94V-0),Black

Contact:Brass

Plated:Gold Plated on Contact area,
Tin Plated on Solder Tails.

Shell:SPCC, Nickel Plated



PCB Layout

RoHS Compliant

DRAWN:

GENERAL TOLERANCE:

.X = ± 0.25 .XX = ± 0.15

CHECKED:

UNIT: MM

DESCRIPTION:

HDMI 19Ways SMT Right Angle Type

SIZE

APPROVAL:

SCALE: 1:1

PART NO:

2000-1-2-30-00-BK

A4

A 25-May-2016

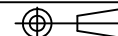
REV

DATE

FILE

BY

PROJECTION:



CnC Tech

Industrial Cable and Connector Technology

A

B

C

D