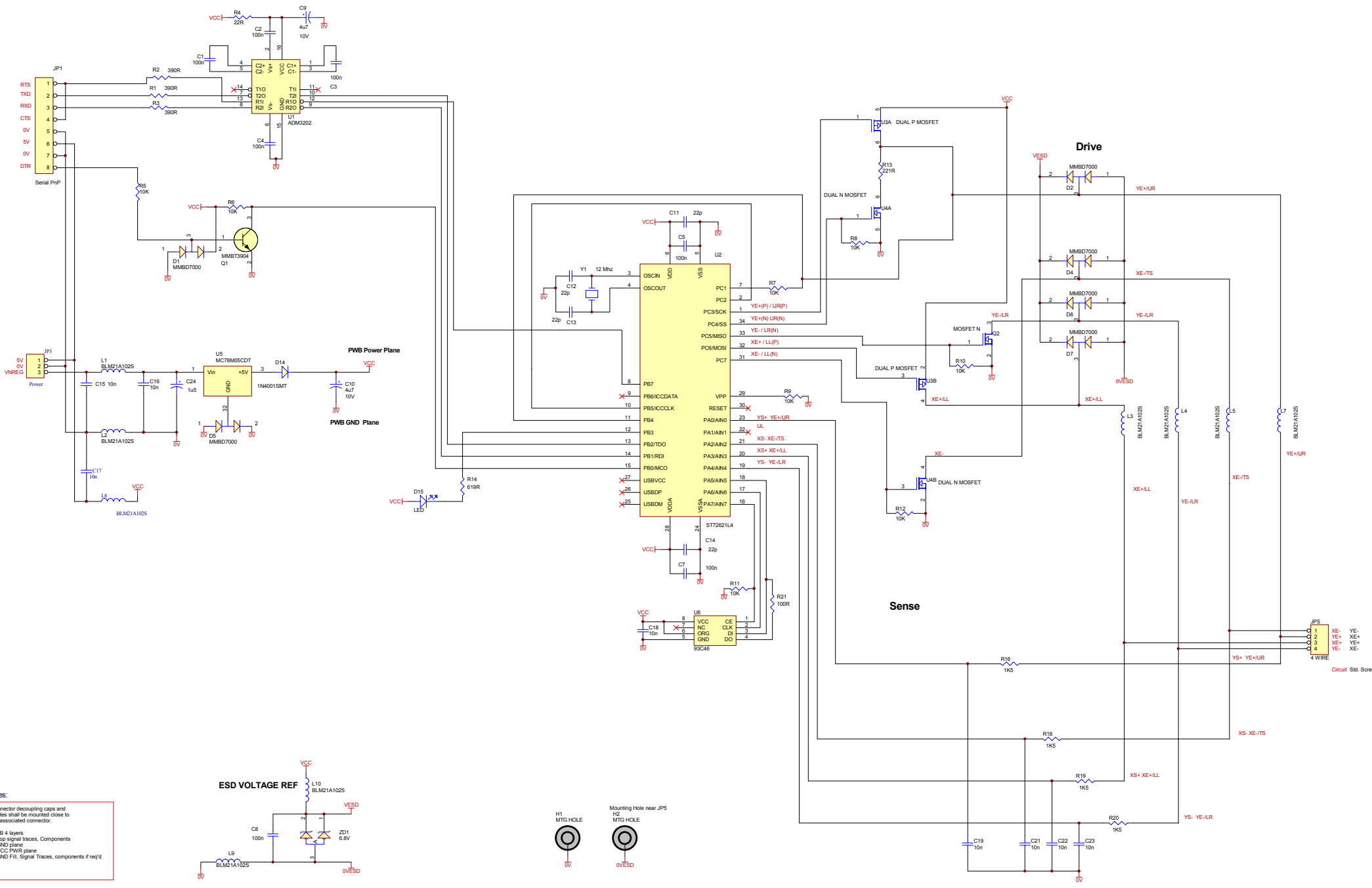
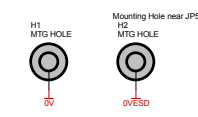
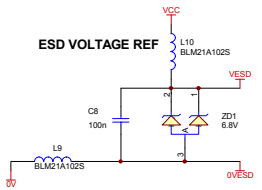


Revision History				
Rev.	ECO	Description	Date	Approved
1.2		Add this sheet	07/01/04	
1.3		Vcc to U3A	08/18/04	
1.5		Remove TP's	09/13/04	



Notes:
 Connector decoupling caps and resistors shall be mounted close to the associated connector.
 PWB 4 layers
 1. Top signal traces, Components
 2. GND plane
 3. VCC PWR plane
 4. GND Fil. Signal Traces, components if req'd



4 WIRE SERIAL

Drawn: C. Cordero Checked: [blank] Approved: [blank]		Date: 01/20/2004 Date: [blank] Date: [blank]	Title: SCX Size: D Doc. Number: SC8210291	Title: 3M Touch Systems 300 Griffin Park Methuen, MA 01844 Rev. 1.5
--	--	--	---	--

Printed: 13-Sep-2004 09:08:04 File Name: SCX-4WIRE SERIAL_SCH Sheet 5 of 7