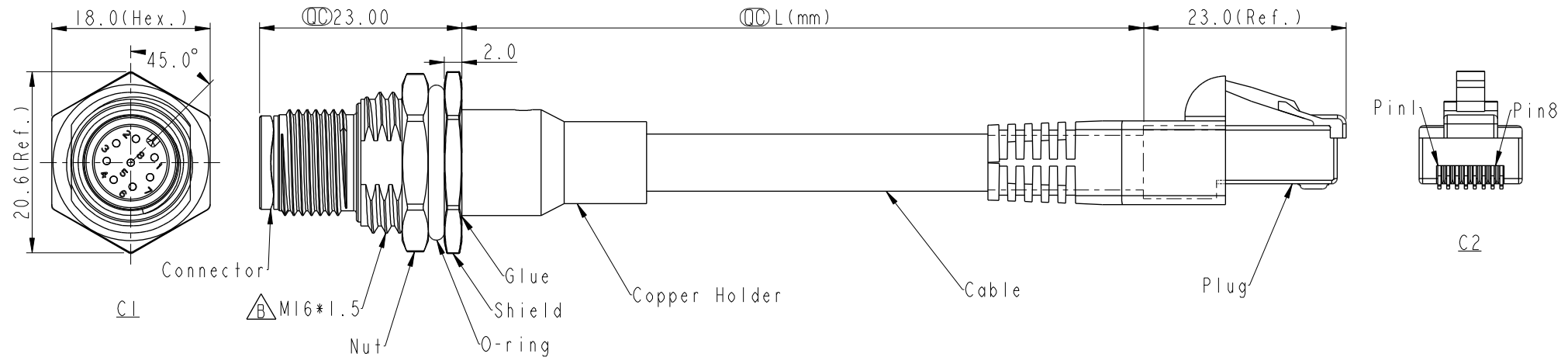


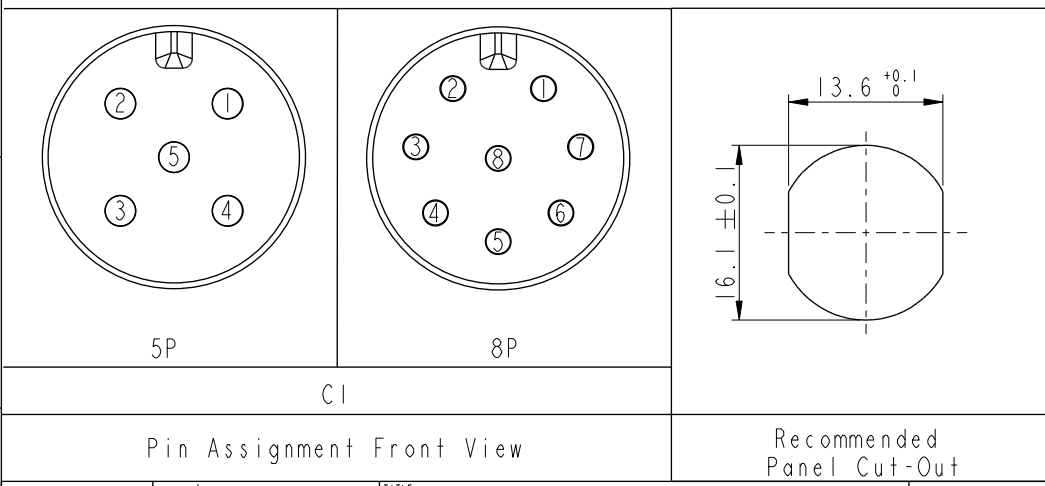
THIS DOCUMENT IS SUBJECT TO CHANGE WITHOUT NOTICE. IT IS CONFIDENTIAL AND A PROPERTY OF Amphenol LTW. DISCLOSURE TO THIRD PARTY HAS TO BE AUTHORIZED BY Amphenol LTW.

REV.	ECN NO.	DATE	SIGN	DESCRIPTION
A		2022-06-22	Jiahe Lin	Rev.01 To Rev.A
B	C221046	2022-07-07	Jiahe Lin	$\triangle B$ *2

MSAS-XXPMMJ-SF8CXX
 XX: No. Of Pin
 XX:L=0~05Meters
 A5:L=0.5Meters
 01:L=1Meters
 02:L=2Meters
 :
 05:L=5Meters



- Note:
- * RoHS Compliant
 - * \varnothing important dimension
 - * C1
 Waterproof rate: IPX8, unmated 1m/24h
 Housing: Thermoplastic, Black
 Pin: Copper alloy, Gold plated
 O-Ring: Rubber, Black
 Shield: Metal
 Nut: Metal
 - * C2
 Waterproof rate: Non-Waterproof
 Plug: RJ45, Shielded
 - * For panel thickness max: 4.5mm
 - * Nut is packed separately in pe bag
 - * Cable: Cat5E, PU Jacket, Black
 - * Cable length tolerance: 0.5M < L ≤ 1M: +60/-0 mm
 1M < L ≤ 3M: +120/-0 mm
 3M < L ≤ 5M: +160/-0 mm

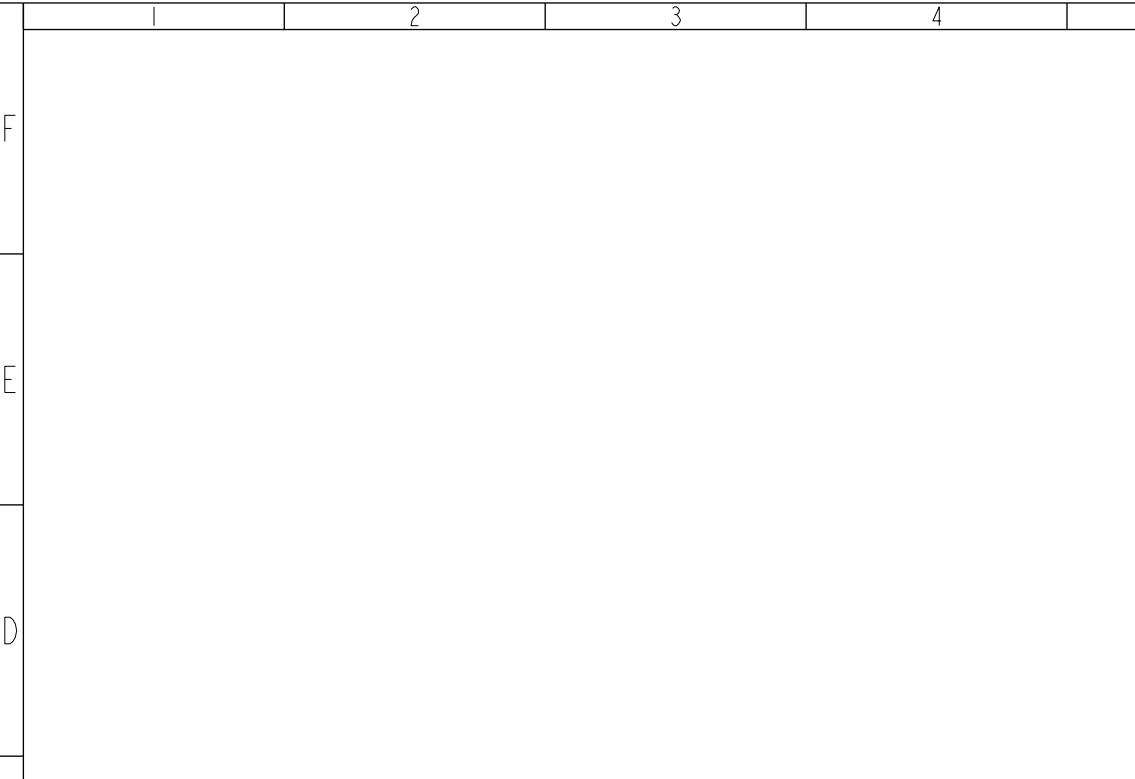


UNIT: mm		TITLE N SEN, M12 A -SHLD, SCREW RECEPTACLE, M, M, RJ PLUG
TOLERANCE .X ±0.25 .XX ±0.1 .XXX ±0.05 ANGLES ±1°	SCALE 2:1	SIZE A4
	REV. B	SHEET 1 OF 2
	WC-REV.	\varnothing : Inspection item

Amphenol LTW 安費諾亮泰企業股份有限公司		ITEM NO	DRAWN BY	DATE
		DWG NO	Jiahe Lin	2022-06-22
		CUSTOMER	Allen Pan	2022-06-22
		ALTW	Fred Lee	2022-06-22

THIS DOCUMENT IS SUBJECT TO CHANGE WITHOUT NOTICE. IT IS CONFIDENTIAL AND A PROPERTY OF Amphenol LTW. DISCLOSURE TO THIRD PARTY HAS TO BE AUTHORIZED BY Amphenol LTW.

5	6	7	8
8P	6.5	24#*4P+AL/MY+D	MSAS-08PMMJ-SF8CXX
5P	6.2	22#*2P+AL/MY+D	MSAS-05PMMJ-SF8CXX
Contacts	Cable OD	Cable Spec	Item No.



跳線

Shield			
5	Drain	地線	Shield
4	Green	綠	6
2	White/Green	白/綠	3
3	Orange	橘	2
1	White/Orange	白/橘	1
C1	Wire Color		C2

Twist

Twist

Shield	Drain	地線	Shield
3	Brown	棕	8
2	White/Brown	白/棕	7
8	Green	綠	6
5	White/Green	白/綠	3
7	Blue	藍	4
1	White/Blue	白/藍	5
4	Orange	橘	2
6	White/Orange	白/橘	1
C1	Wire Color		C2

Twist

Twist

Twist

Twist

5P Pin Out

8P Pin Out

UNIT:mm

TOLERANCE
 .X ±0.25
 .XX ±0.1
 .XXX ±0.05
 ANGLES ±1°

TITLE
N SEN, M12 A -SHLD, SCREW RECEPTACLE, M, M, RJ PLUG

SCALE 2:1 SIZE A4 SHEET 2 OF 2

REV. B WC-REV. Inspection item

Amphenol LTW
 安費諾亮泰企業股份有限公司

ITEM NO

DWG NO MSAS-XXPMMJ-SF8CXX

CUSTOMER ALTW

DRAWN BY Jiahe Lin

CHECKED BY Allen Pan

APPROVED BY Fred Lee

DATE 2022-06-22

DATE 2022-06-22

DATE 2022-06-22