

## Basic Characteristics Data

Model	Circuit method	Switching frequency [kHz]	Input current [A]	Rated input fuse	Inrush current protection	PCB/Pattern			Series/Redundancy operation availability	
						Material	Single sided	Double sided	Series operation	Redundancy operation
CBS50	Forward converter	310	Refer to table No.1	-	-	Aluminum	Yes		Yes	*1
CBS100	Forward converter	370		-	-	Aluminum	Yes		Yes	*1
CBS200	Forward converter	370		-	-	Aluminum	Yes		Yes	*1
CBS350	Forward converter	370		-	-	Aluminum	Yes		Yes	*1
CBS450	Forward converter	370		-	-	Aluminum	Yes		Yes	*1

\*1 Refer to Instruction Manual.

Table1. The value of input current (at rated input voltage and rated load) [A]

Model	Output Voltage									
	1.8V	2.5V	3.3V	5V	12V	15V	24V	28V	32V	48V
CBS5024	1.2	1.6	2.0	2.5	2.4	2.4	2.4	2.4	-	-
CBS5048	0.6	0.8	1.0	1.3	1.2	1.2	1.2	1.2	-	-
CBS10024	2.5	3.2	4.1	5.0	4.8	4.8	4.8	4.8	-	-
CBS10048	1.2	1.6	2.0	2.5	2.4	2.4	2.4	2.4	-	-
CBS20024	3.8	4.8	6.1	7.6	9.6	9.6	9.7	9.7	-	-
CBS20048	1.9	2.4	3.0	3.8	4.8	4.8	4.8	4.8	-	4.8
CBS35024	-	-	-	-	15	-	17	17	17	14
CBS35048	-	-	-	-	8.4	-	8.2	8.1	8.2	8.2
CBS45048	-	-	-	-	-	-	10.6	10.5	9.3	-

<b>1</b>	<b>Pin Configuration</b>	CBS-14
<b>2</b>	<b>Connection for Standard Use</b>	CBS-14
<b>3</b>	<b>Wiring Input/Output Pin</b>	CBS-14
3.1	Wiring input pin .....	CBS-14
3.2	Wiring output pin .....	CBS-15
<b>4</b>	<b>Function</b>	CBS-16
4.1	Overcurrent protection .....	CBS-16
4.2	Overvoltage protection .....	CBS-16
4.3	Thermal protection .....	CBS-16
4.4	Remote ON/OFF .....	CBS-16
4.5	Remote sensing .....	CBS-16
4.6	Adjustable voltage range .....	CBS-17
4.7	Withstanding Voltage / Isolation Voltage .....	CBS-18
<b>5</b>	<b>Series and Parallel Operation</b>	CBS-18
5.1	Series operation .....	CBS-18
5.2	Redundancy operation .....	CBS-18
<b>6</b>	<b>Implementation · Mounting Method</b>	CBS-18
6.1	Mounting method .....	CBS-18
6.2	Stress onto the pins .....	CBS-18
6.3	Cleaning .....	CBS-19
6.4	Soldering temperature .....	CBS-19
6.5	Derating .....	CBS-19
6.6	Heat sink(Optional parts) .....	CBS-19
6.7	Addition of a Heat sink(Optional:F□) .....	CBS-20
<b>7</b>	<b>Safety Considerations</b>	CBS-21

# 1 Pin Configuration

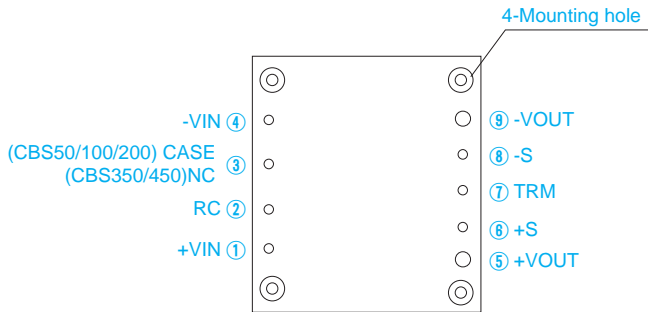


Fig.1.1 Pin Configuration (bottom view)

Table 1.1 Pin Assignment

No.	Pin Name	Function
①	+VIN	+DC input
②	RC	Remote ON/OFF
③	NC	No connection (CBS350/450)
	CASE	Wiring base plate (CBS50/100/200)
④	-VIN	-DC input
⑤	+VOUT	+DC output
⑥	+S	+Remote sensing
⑦	TRM	Adjustment of output voltage
⑧	-S	-Remote sensing
⑨	-VOUT	-DC output
—	Mounting hole	Mounting hole

CBS

No.	Pin Name	Reference
①	+VIN	3.1 "Wiring input pin"
②	RC	4.4 "Remote ON/OFF"
③	NC	—
	CASE	3.1 "Wiring input pin"
④	-VIN	3.2 "Wiring output pin"
⑤	+VOUT	3.2 "Wiring output pin"
⑥	+S	4.5 "Remote sensing"
⑦	TRM	4.6 "Adjustable voltage range"
⑧	-S	4.5 "Remote sensing"
⑨	-VOUT	3.2 "Wiring output pin"
—	Mounting hole	6.1 "Mounting method"

# 2 Connection for Standard Use

■ The power module needs input and output connections as shown in Fig. 2.1.

{ Reference: 3 "Wiring Input/Output Pin"  
6.5 "Derating" }

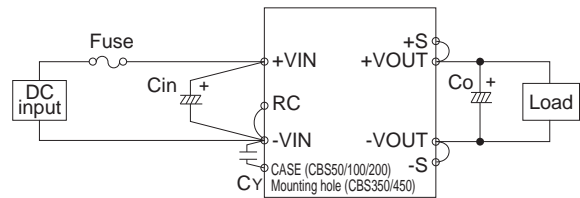
■ Short the following pins to turn on the power module.

-VIN ↔ RC, +VOUT ↔ +S, and -VOUT ↔ S

{ Reference: 4.4 "Remote ON/OFF"  
4.5 "Remote sensing" }

■ Only DC voltage can be applied to CBS Series. Applying AC voltage will damage the power module.

■ The power module is designed for conduction cooling. Make sure that heat sinks, fans, etc. are used for heat dissipation. Refer to 6.5 "Derating"



Cin : External capacitor on the input side  
Co : External capacitor on the output side  
CY : Primary decoupling capacitor

Fig.2.1 Connection for Standard Use

# 3 Wiring Input/Output Pin

## 3.1 Wiring input pin

### (1) External fuse

■ The input circuit of CBS Series does not come with a built-in fuse. In order to protect the power module, a normal-blow fuse should be installed to +VIN.

■ When multiple modules get input voltage from a single front-end power supply, a normal-blow fuse must be installed to each module.

Table 3.1 Recommended Fuses (Normal-Blow Type)

Model	CBS5024	CBS10024	CBS20024		CBS35024
			1R8/2R5/03/05	12/15/24/28	
Rated current	6A	12A	20A	25A	30A
Model	CBS5048	CBS10048	CBS20048		CBS35048 CBS45048
			1R8/2R5/03/05	12/15/24/28/48	
Rated current	3A	6A	10A	12A	20A

### (2) Noise Filter/Grounding Capacitor

■ A grounding capacitor CY must be used to reduce the line noise on the input line and stabilize the power module operation (Fig. 2.1). Note that resonance and inductance from the input line filter may cause the power module to become unstable.

■ An appropriate filter must be used if conformance to the conducted noise regulation is required or if surge voltage may be applied to the unit. Please consult us for more details.

■ Install a grounding capacitor CY of at least 4700 pF as close to the input pins as possible (within 50mm of the pins).

■ If the total capacitance of the grounding capacitor exceeds 15000 pF, the specified isolation voltage between input and output may not be satisfied. In this case, either reduce the capacitance of the grounding capacitor at the input or install a grounding capacitor to the output.

There is no maximum limit to capacitance  $C_Y$  when the power module is used with an isolation voltage of less than 500VAC (1 min.) between input and output.

### (3) External Capacitor on the Input

■ An external capacitor  $C_{in}$  must be installed between +VIN and -VIN to reduce line noise and stabilize the power module operation (Fig. 2.1).

Capacitance	CBS50/100/20024: at least 68 $\mu$ F
	CBS35024: at least 220 $\mu$ F X 2
	CBS50/100/20048: at least 33 $\mu$ F
	CBS35048: at least 68 $\mu$ F X 2
	CBS45048: at least 68 $\mu$ F X 2
Tc=-20 to +100°C	Electrolytic or Ceramic capacitor
	Tc=-40 to +100°C Ceramic capacitor

■ The capacitor must be installed less than 50mm of the power module. As ripple current will flow through this capacitor, pay attention to the ripple current rating of the capacitor.

■ If the power module is to be turned ON/OFF directly with a switch, inductance from the input line will induce a surge voltage several times that of the input voltage and it may damage the power module. Make sure that the surge is absorbed, for example, by connecting an electrolytic capacitor between the input pins.

### (4) Input Voltage Range/Input Current Range

■ Keep the input voltage ripple within the specifications below. Output ripple voltage will increase as these values increase.

Ripple voltage	CBS50/100/200/35024: less than 2Vp-p
	CBS50/100/200/35048: less than 4Vp-p
	CBS45048: less than 4Vp-p

■ Make sure that the peak input voltage stays within the specified input voltage range of the power module.

■ Choose a front end power supply that can supply enough current Ip (Fig. 3.2) for starting up the power module.

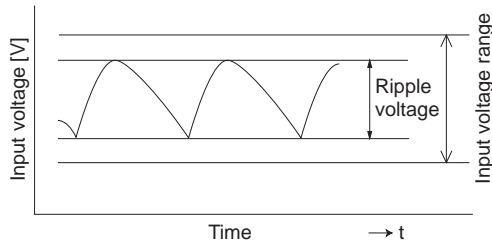


Fig.3.1 Input Voltage Ripple

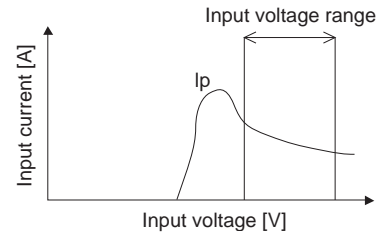


Fig.3.2 Input Current Characteristics

### (5) Reverse Input Voltage Protection

■ Avoid applying reversed-polarity voltage to the power module as it will damage the power module. To protect the power module from reversed polarity voltage, installing an external diode as shown in Fig. 3.3 is recommended.

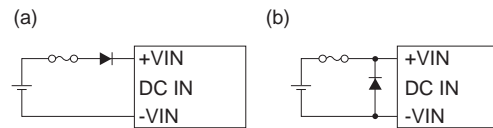


Fig.3.3 Reverse Input Voltage Protection

## 3.2 Wiring output pin

■ Install an external capacitor  $C_o$  between +VOUT and -VOUT to increase stability of output (Fig. 2.1).

Recommended capacitance of  $C_o$  is shown in Table 3.2.

■ Choose a high frequency type electrolytic capacitor for  $C_o$ . Output ripple and rise time will be influenced by the capacitor's ESR and ESL and the wiring impedance.

■ As ripple current will flow through capacitor  $C_o$ , pay attention to the ripple current rating of the capacitor.

■ Install capacitor  $C_o$  as close to the power module as possible (within 50mm).

This is useful for reducing radiated noise and increasing stability of the power module operation.

Table 3.2 Recommended Capacitance for External Output Capacitor  $C_o$  ( $\mu$ F)

Base plate temperature : Tc=-20 to +100°C							
VOUT	1.8V/2.5V/3.3V/5V	12V	15V	24V	28V	32V	48V
CBS50	2200	470		220			
CBS100	2200	470		220			
CBS200	2200	1000		470			330
CBS350		470			220		
CBS450					220		
Base plate temperature : Tc=-40 to +100°C							
VOUT	1.8V/2.5V/3.3V/5V	12V	15V	24V	28V	32V	48V
CBS50	2200 X 2	470 X 2		220 X 2			
CBS100	2200 X 2	470 X 2		220 X 2			
CBS200	2200 X 2	1000 X 2		470 X 2			330 X 3
CBS350		470 X 3			220 X 3		
CBS450					220 X 3		

■ The specified ripple and ripple noise are measured by the method introduced in Fig. 3.4.

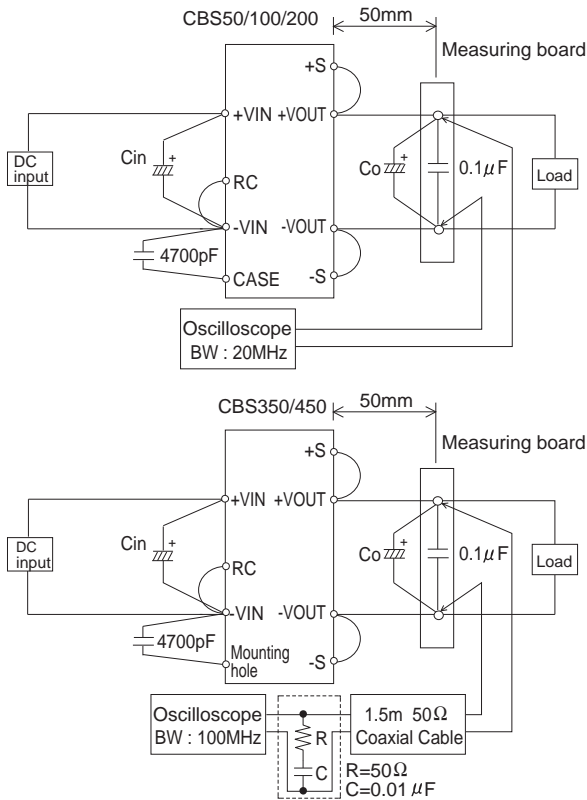


Fig.3.4 Method of Measuring Output Ripple and Ripple Noise

CBS

## 4 Function

### 4.1 Overcurrent protection

■ Over Current Protection (OCP) is built in and works at 105% of the rated current or higher. However, use in an over current situation must be avoided whenever possible. The output voltage of the power module will recover automatically if the fault causing over current is corrected.

When the output voltage drops after OCP works, the power module enters a "hiccup mode" where it repeatedly turns on and off at a certain frequency.

### 4.2 Overvoltage protection

■ Over Voltage Protection (OVP) is built in. When OVP works, output voltage can be recovered by shutting down DC input for at least one second or by turning off the remote control switch for one second without shutting down the DC input. The recovery time varies according to input voltage and input capacitance.

#### Remarks:

Note that devices inside the power module may fail when a voltage greater than the rated output voltage is applied from an external power supply to the output terminal of the power module. This could happen in in-coming inspections that include OVP function test or when voltage is applied from the load circuit. OVP can be tested by using the TRM terminal. Consult us for details.

### 4.3 Thermal protection

■ Over Temperature Protection (OTP) is built in. If the base plate temperature exceeds 100°C, OTP will work, causing the output voltage to drop. Output voltage can be recovered by shutting down DC input for at least one second or by turning RC off for one second without shutting down the DC input.

### 4.4 Remote ON/OFF

■ The remote ON/OFF function is incorporated in the input circuit and operated with RC and -VIN. If positive logic control is required, order the power module with "-R" option.

Table 4.1 Remote ON/OFF Specifications

	ON/OFF logic	Between RC and -VIN	Output voltage
Standard	Negative	L level(0 - 1.2V) or short	ON
		H level(3.5 - 7.0V) or open	OFF
Optional -R	Positive	L level(0 - 1.2V) or short	OFF
		H level(3.5 - 7.0V) or open	ON

■ When RC is at low level, a current of 0.5mA typ will flow out. When Vcc is used, keep it within the following range:  
 $3.5 \leq V_{CC} \leq 7V$ .  
 When remote ON/OFF is not used, short RC and -VIN.

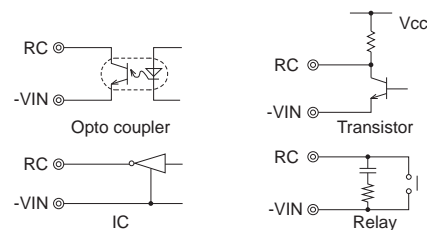


Fig. 4.1 RC Connection Example

### 4.5 Remote sensing

(1) When Remote Sensing is Not Used

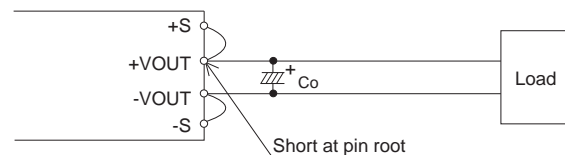


Fig. 4.2 When Remote Sensing is Not Used

- When remote sensing is not used, make sure +VOUT and +S are shorted, and that -VOUT and -S are shorted as well.
- Keep the patterns between +S and +VOUT and between -S and -VOUT as short as possible. Avoid a looping pattern. If noise enters the loop, the operation of the power module will become unstable.

(2) When Remote Sensing is Used

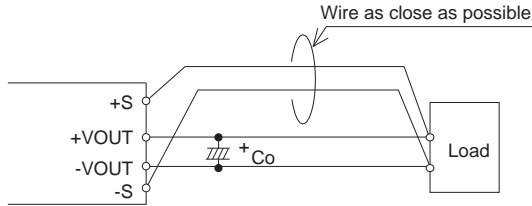


Fig. 4.3 When Remote Sensing is Used

- Using remote sensing with long wires may cause output voltage to become unstable. Consult us if long sensing wiring is necessary.
  - Sensing patterns or wires should be as short as possible. If wires are used, use either twisted-pair or shielded wires.
  - Use wide PCB patterns or thick wires between the power module and the load. Line drop should be kept less than 0.3V. Make sure output voltage from the power module stays within the specified range.
  - If the sensing patterns are shorted by mistake, a large current may flow and damage the pattern. This can be prevented by installing fuses or resistors close to the load.
- As wiring or load impedance may generate oscillation or large fluctuations in output voltage, make sure enough evaluation is given in advance.

4.6 Adjustable voltage range

- Output voltage can be adjusted by connecting an external potentiometer (VR1) and resistors (R1 and R2) as shown in Fig. 4.5. Output voltage will increase if the resistance between ① and ② is reduced by turning the potentiometer clockwise. Recommended values for external components are shown in Table 4.2. Consult us if the power module is used in a different configuration.
  - Output voltage between +VOUT and -VOUT can be adjusted by connecting external resistors to TRM.
- However, when the input voltage is 18 - 20VDC with CBS50/100/20024 or 36 - 40VDC with CBS50/100/20048, the output voltage adjustment range is 60 - 105% of the rated output voltage except for 1.8/2.5/48V output models.
- When input voltage is 20 - 22VDC with CBS35024 models or 36 - 40VDC with CBS35048 models, the output voltage adjustment range becomes as shown in Fig. 4.4-1.

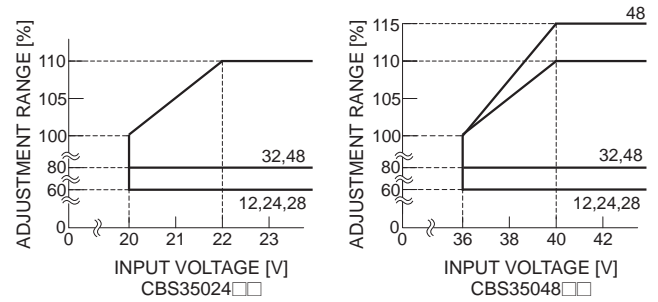


Fig. 4.4-1 CBS350 Output Voltage Adjustment Range

The output adjustment range for CBS450 is shown in Fig. 4.4-2.

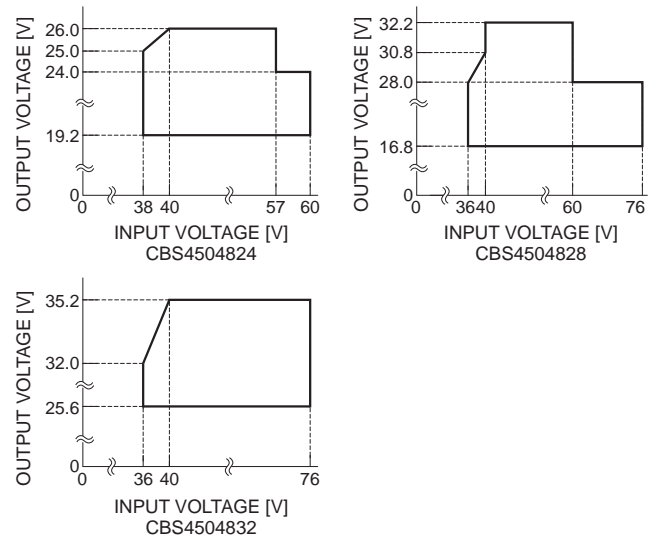


Fig. 4.4-2 CBS450 Output Voltage Adjustment Range

- The wiring to the potentiometer should be as short as possible. As the ambient temperature fluctuation characteristics deteriorates depending on the types of resistors and potentiometers used, please use resistors and potentiometers of the following specifications:
  - Resistors..... Metal film type, coefficient less than  $\pm 100$ ppm/ $^{\circ}$ C
  - Potentiometers ... Cermet type, coefficient less than  $\pm 300$ ppm/ $^{\circ}$ C
- When output voltage adjustment is not required, open TRM.
- Note that, when adjusting output voltage, setting output voltage too high may cause OVP to work.

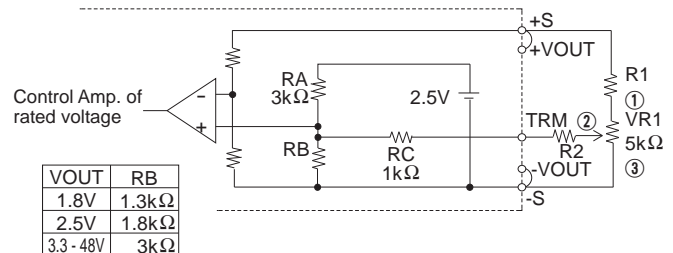


Fig. 4.5 Connecting External Parts

Table 4.2 Recommended Values of External Resistors

No.	VOUT	Adjustable range			
		VOUT±5%		VOUT±10%	
		R1	R2	R1	R2
1	1.8V	1.8kΩ	6.2kΩ	1.6kΩ	3.6kΩ
2	2.5V	2.7kΩ	7.5kΩ	2.4kΩ	4.7kΩ
3	3.3V	2.4kΩ	11kΩ	2.4kΩ	6.8kΩ
4	5V	5.6kΩ		5.6kΩ	
5	12V	18kΩ		18kΩ	
6	15V	24kΩ		24kΩ	
7	24V	43kΩ		39kΩ	
8	28V	51kΩ		47kΩ	
9	32V	56kΩ		56kΩ	
10	48V	82kΩ		82kΩ	

## 4.7 Withstanding Voltage / Isolation Voltage

■When testing the withstanding voltage, make sure the voltage is increased gradually. When turning off, reduce the voltage gradually by using the dial of the hi-pot tester. Do not use a voltage tester with a timer as it may generate voltage several times as large as the applied voltage.

# 5 Series and Parallel Operation

## 5.1 Series operation

■Multiple CBS units can be used in series. Keep the output current less than the smallest specified rated current of the modules connected in series. Make sure the current flow into the power module will not exceed the rated current.

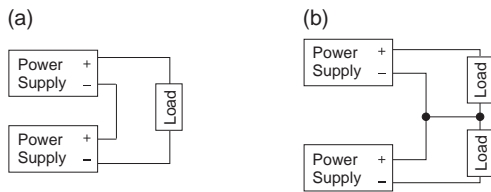


Fig. 5.1 Examples of Series Operation

## 5.2 Redundancy operation

■Parallel operation is not possible.  
 ■Redundancy operation is available by wiring as shown below.

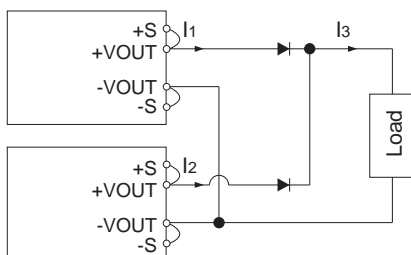


Fig. 5.2 Example of Redundancy Operation

■Even a slight difference in output voltage can affect the balance between the values of  $I_1$  and  $I_2$ . Please make sure that the value of  $I_3$  does not exceed the rated current of a power supply.

$$I_3 \leq \text{the rated current value}$$

# 6 Implementation · Mounting Method

## 6.1 Mounting method

■When multiple power modules are used side by side, position them with sufficient spaces to allow adequate air ventilation so that the aluminum base plate temperature of each power module will remain within the temperature range shown in the derating curves (Fig. 6.2).

■Do not pass the DC input pattern underneath the power module as this will increase conducted noise. Place the DC input pattern away from the power module.

Do not pass the DC output pattern underneath the power module as this will increase output noise. Place the DC output pattern away from the power module.

■High frequency noise is radiated from the power module. When mounting the power module on a PCB, leave a copper pattern on the PCB to let it act as a shield and connect this pattern to the CASE pin (CBS50/100/200) or the mounting hole.

■When a heat sink cannot be fixed on the base plate side, order the power module with "-T" option. A heat sink can be mounted by affixing a M3 tap on the heat sink. In case of CBS350/450, make sure a mounting hole will be connected to a grounding capacitor  $C_Y$ .

Table 6.1 Mounting Hole Configuration

	Mounting hole
Standard	M3 tapped
Optional : -T	$\phi$ 3.4 thru

## 6.2 Stress onto the pins

■Applying excessive stress to the input or output pins of the power module may damage internal connections. Avoid applying stress in excess of that shown in Fig. 6.1.

■Input and output pins are soldered onto the internal PCB. Do not bend or pull the leads with excessive force.

■As unexpected stress may be applied to the pins, set the diameter of the PCB mounting hole at 3.5mm.

■As unexpected stress may be applied to the pins from vibration or shock, fix the power module by using the mounting holes with screws to reduce stress.

■Fix the power module to the PCB with the screws before soldering the input and output pins to prevent the PCB pattern being damaged.

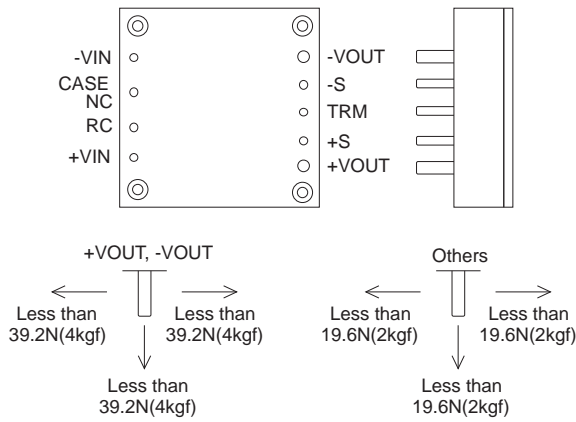


Fig. 6.1 Stress onto Pins

### 6.3 Cleaning

- Clean the soldered side of the power module with a brush. Prevent liquid from getting into the power module. Do not clean by soaking the power module into liquid.
- Do not allow solvent to come in contact with product labels or resin cases as this may change the color of the resin case or cause deletion of the letters printed on the product label.
- After cleaning, dry the power modules well.

### 6.4 Soldering temperature

- Flow soldering: 260°C for up to 15 seconds.
- Soldering iron (26W): 450°C for up to 5 seconds.

### 6.5 Derating

- Use the power modules with conduction cooling (e.g. heat dissipation from the aluminum base plate to the attached heat sink). Fig. 6.2 shows the derating curves with respect to the aluminum base plate temperature. Note that operation within the hatched areas will cause a significant level of ripple and ripple noise. Contact us for more information on cooling methods.
- It is necessary to note thermal fatigue life by power cycle. Please reduce the temperature fluctuation range as much as possible when the up and down of temperature are frequently generated. Contact for more information on cooling methods.

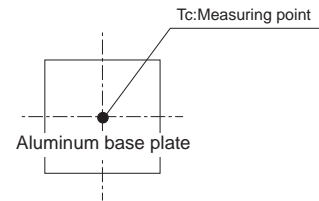
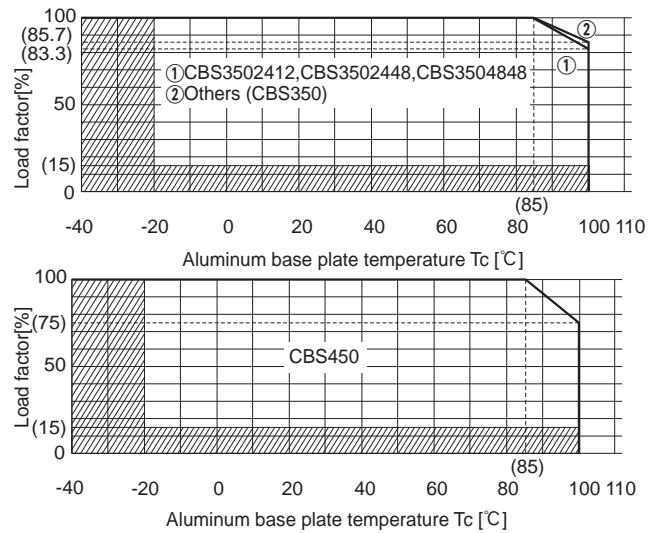
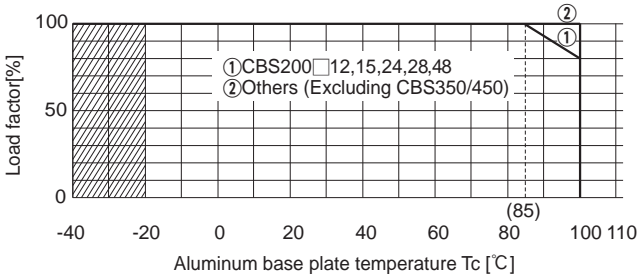


Fig. 6.2 Derating Curve

### 6.6 Heat sink(Optional parts)

- The power module works with conduction cooling and needs heat dissipation using heat sinks. Optional heat sinks are available for CBS Series. Refer to Table 6.2 for details on the thermal resistance of heat sinks.

Table 6.2 Types of Heat Sinks Available

No.	Model	Size[mm]			Thermal resistance[°C/W]		Style
		H	W	D	Convection (0.1m/s)	Forced Air	
1	F-CBS-F1	12.7	57.9	61.5	7.5	Refer Fig.6.4	Horizontal
2	F-CBS-F2	12.7	58.4	61.0			Vertical
3	F-CBS-F3	25.4	57.9	61.5	4.6		Horizontal
4	F-CBS-F4	25.4	58.4	61.0			Vertical
5	F-CBS-F5	38.1	57.9	61.5	3.0		Horizontal
6	F-CBS-F6	38.1	58.4	61.0			Vertical

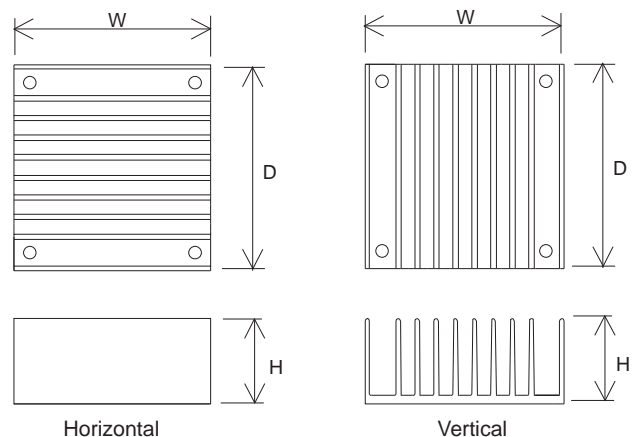


Fig.6.3 Heat Sink Types



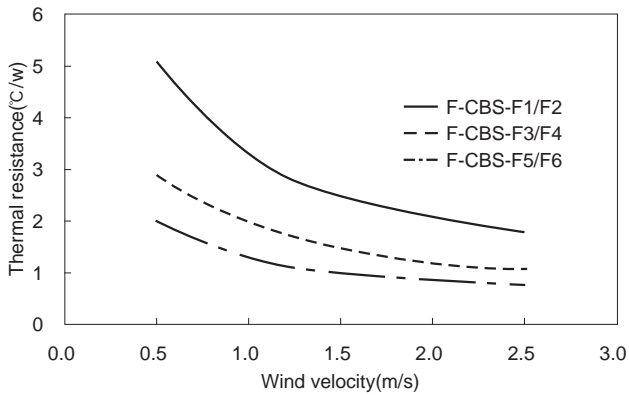


Fig.6.4 Thermal Resistance of Heat Sink(Forced Air)

### 6.7 Addition of a Heat sink(Optional:F□)

Heat sink pre-attached models are also available.  
(Except CBS350/450)

Table 6.3 Types of Heat Sink Pre-Attached Models Available

Option	Size[mm]			Weight [g]	Style	Heat sink type name
	H	W	D			
F1	26.5	58.7	62.5	150 or less	Horizontal	F-CBS-F1
F2	26.5	59.5	62.0		Vertical	F-CBS-F2
F3	39.2	58.7	62.5	170 or less	Horizontal	F-CBS-F3
F4	39.2	59.5	62.0		Vertical	F-CBS-F4
F5	52.0	58.7	62.5	185 or less	Horizontal	F-CBS-F5
F6	52.0	59.5	62.0		Vertical	F-CBS-F6

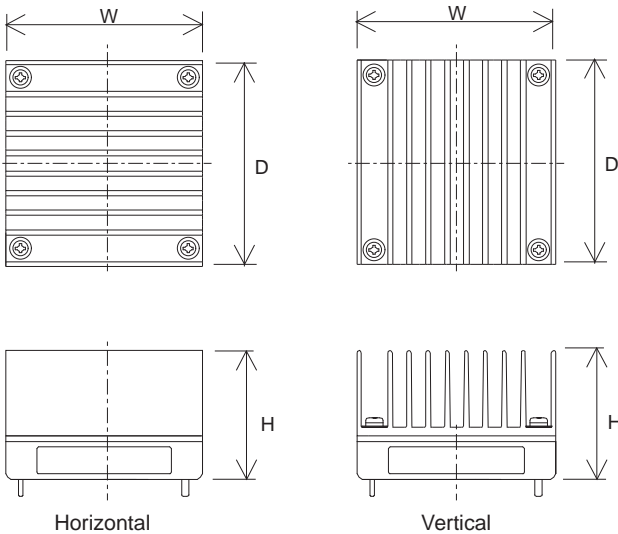


Fig. 6.5 Dimensions of Heat Sink Pre-Attached Models

Derating curve characteristics with respect to aluminum base plate temperature are shown in Fig. 6.6. Measure the temperature of the base plate in a location away from direct airflow (A). Note that operation within the hatched areas will cause a significant level of ripple and ripple noise.

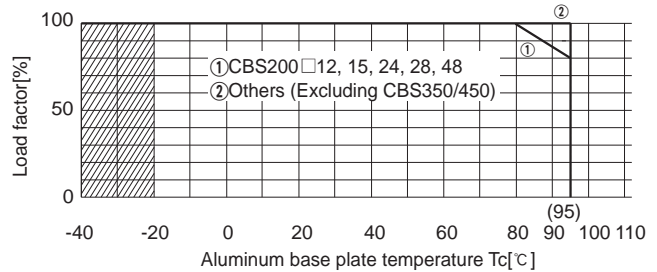


Fig. 6.6 Derating Curve Characteristics

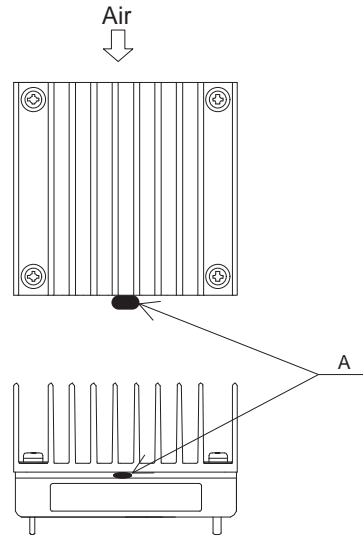


Fig. 6.7 Measuring Point

Make sure that PCB mounting screws do not touch the heat sink mounting screws.

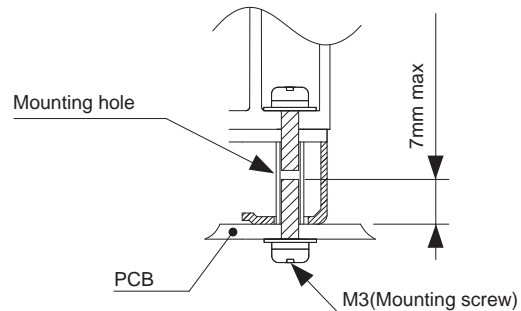


Fig. 6.8 PCB Mounting Screw Dimensions

## 7 Safety Considerations

- To apply for safety standard approvals with the power module, the following conditions must be met. Consult us for more details.
  - The power modules must be used as a component power supply in end-use equipment.
  - Neither basic isolation nor double/reinforced isolation is provided across input, output and the base plate of the power module. If the power module is to be used with input voltage of more than 60VDC and needs basic or double/reinforced isolation, the required isolation must be provided in the construction of the final product.
  - Use external fuses that comply with safety standards at the input.