



<b>SPECIFICATION</b>			
<b>FOR ELECTRO-MAGNET DYNAMIC MICROPHONE</b>			
<b>TOTAL PAGE</b>	<b>07</b>	<a href="http://www.be-star.com">www.be-star.com</a>	<b>RoHS</b>

Customer		Model Name	BCM4013OLFC-42-JST-ZHR-2
Customer P/N		Product No.	195013
Date	23 Aug.11	Issue No.	BS/TEM01.131B
Page	01 of 07	Issue Date	11/08/23

**Approval:**

- 1.Characteristics
- 2.Drawing
- 3.Measurement Circuit
- 4.Reliability Test
- 5.Packing
- 6.History change record

Drawn by	Checked by	Approved by	Customer approved

**BESTAR ELECTRONICS INDUSTRY CO.,LTD**

No.199 HuangHe West Road.New district,ChangZhou,JiangSu Province,P.R.China

**Tel:** +86 519 88222567    **Fax:** +86 519 88222551

[www.bestargroups.com](http://www.bestargroups.com)    [info@be-star.com](mailto:info@be-star.com)    <http://www.bestargroups.com>

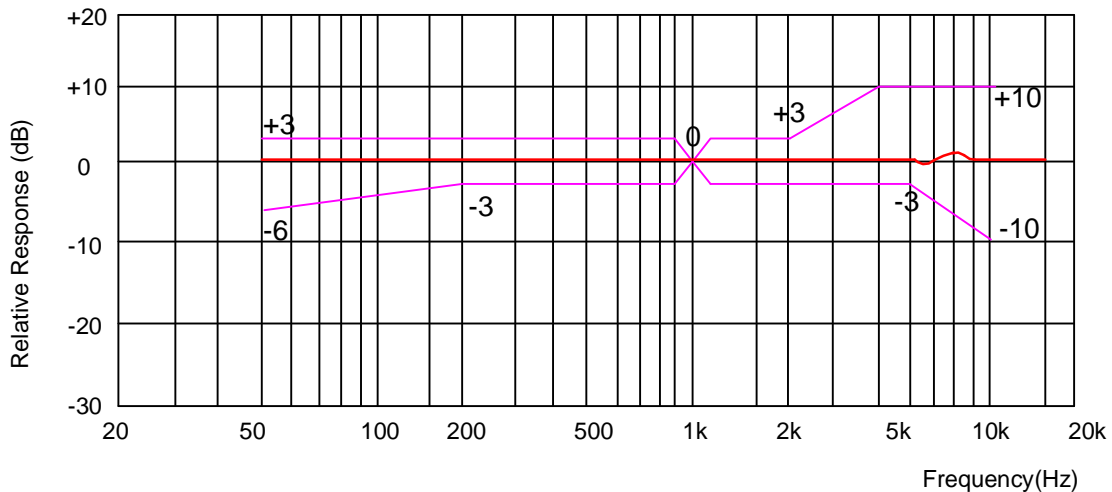
# BCM4013OLFC-42-JST-ZHR-2

## 1. Characteristics

Test Condition (Vs=2V RL=2.2K Ω Ta=20°C R.H.=65%)

No.	Item	Specifications
1	Sensitivity	- 42 ±3dB (0dB=1V/Pa,1kHz)
2	Frequency Response	50-16kHz
3	Current Consumption	0.5mA Max.
4	Directional	Omnidirectional
5	S/N Ratio	more than 58dB
6	Standard Operating Voltage	2V
7	Operating Voltage	1V~10V
8	Sensitivity reduction	within -3dB at 1.5V
9	Distortion	2%
10	Storage Temperature	-40 °C to +70 °C
11	Operating Temperature	-30 °C to +60 °C

### ★Frequency Resonse Curve

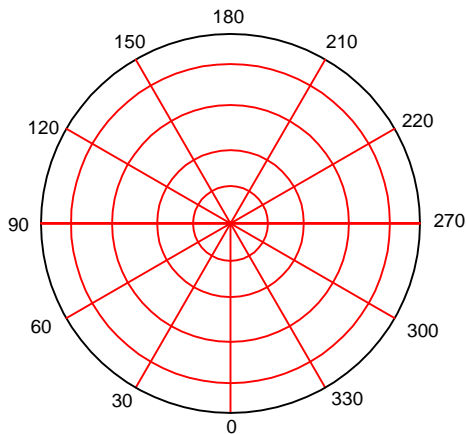


This print and information there in are proprietary to Bestar Electronics Industry Co., Ltd. and shall not be used in whole or in part without its written content

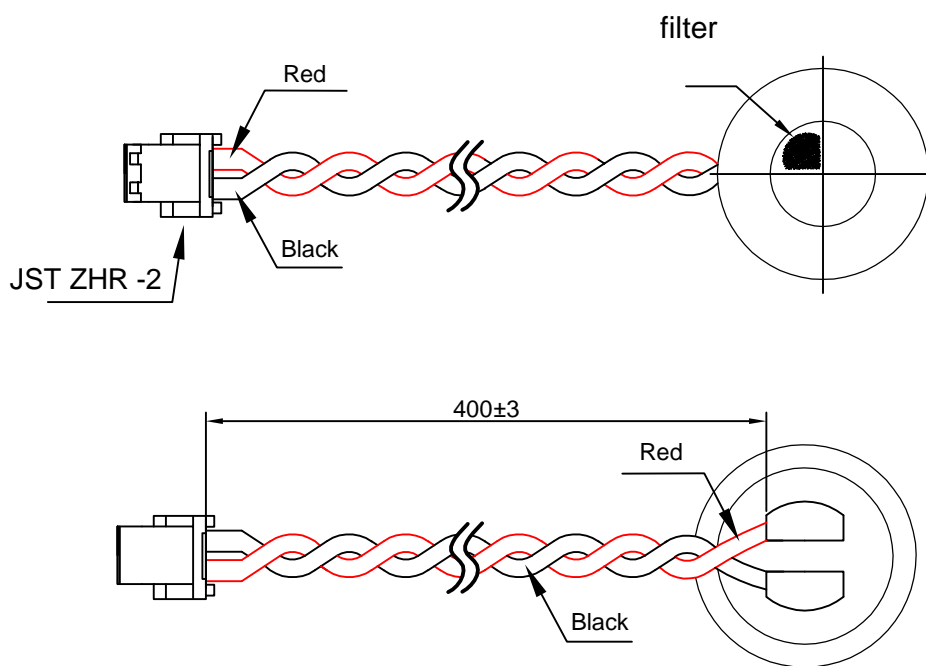
				Date:	11.08.23	BCM4013OLFC-42-JST-ZHR-2  <b>Microphone</b>
B	11.08.23	王焕焕		Drawn by:	王焕焕	
A	10.08.01	王焕焕		Checked by:	徐波	
Rev.	Date	Drawn	Note	Approved by:	王平	
BESTAR ELECTRONICS INDUSTRY CO.,LTD www.be-star.com wu@be-star.com						DRG NO: BS/TEM01.131B
						Page:2 of 7

# BCM4013OLFC-42-JST-ZHR-2

★ Angular Response



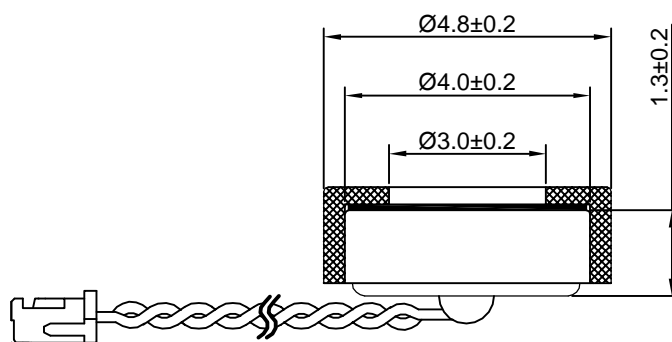
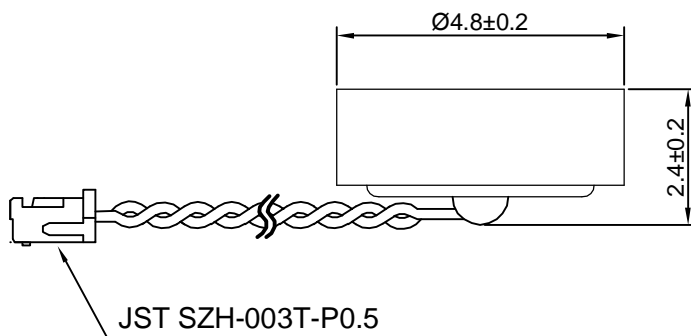
## 2. Drawing



This print and information there in are proprietary to Bestar Electronics Industry Co., Ltd. and shall not be used in whole or in part without its written consent.

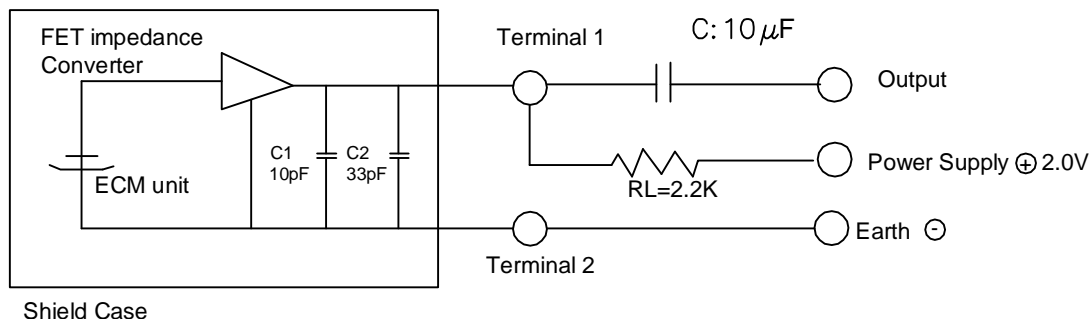
				Date:	11.08.23	BCM4013OLFC-42-JST-ZHR-2	
B	11.08.23	王焕焕		Drawn by:	王焕焕		
A	10.08.01	王焕焕		Checked by:	徐波	Microphone	
Rev.	Date	Drawn	Note	Approved by:	王平		
BESTAR ELECTRONICS INDUSTRY CO.,LTD						DRG NO: BS/TEM01.131B	Page:3 of 7
www.be-star.com wu@be-star.com							

# BCM4013OLFC-42-JST-ZHR-2



**Note:wires use UL3302 AWG 32#**

### 3. Measurement Circuit:



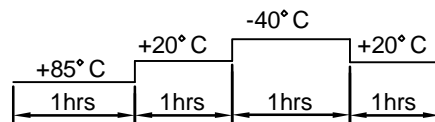
This print and information there in are proprietary to Bestar Electronics Industry Co., Ltd. and shall not be used in whole or in part without its written content.

				Date:	11.08.23	BCM4013OLFC-42-JST-ZHR-2
B	11.08.23	王焕焕		Drawn by:	王焕焕	
A	10.08.01	王焕焕		Checked by:	徐波	
Rev.	Date	Drawn	Note	Approved by:	王平	
BESTAR ELECTRONICS INDUSTRY CO.,LTD						Microphone
www.be-star.com wu@be-star.com						
					DRG NO: BS/TEM01.131B	Page:4 of 7

# BCM4013OLFC-42-JST-ZHR-2

## 4. Reliability Test

- 4.1 High temp.life test  
 Temperature +85 °C  
 Duration 100hrs
- 4.2 Low temp.life test  
 Temperature -40 °C  
 Duration 100hrs
- 4.3 Temperature cycle test  
 Cycles 10



- 4.4 Humidity Test  
 Temperature +40 °C  
 Relative Humidity 90~95%  
 Duration 48hrs

Tests above should be measured after leaving normal temperature for 6hrs.

- 4.5 Vibration Test  
 Vibration Frequency 10~55Hz  
 Amplitude 1.52mm/min  
 Direction 3(x.y&z)  
 Duration 2hrs each cycle(total 6 hrs)
- 4.6 Drop test  
 Height 1m  
 (Dropped to 20mm thick hardwood board without packing.)  
 Direction 3
- 4.7 Soldering Heat Shock  
 Temperature 260 ±5°c  
 Duration 2 ±0.5 sec
- 4.8 Terminal Mechanical Strength  
 Strength 1kg  
 Duration 1 min

**Notice:**

All specifications must be satisfied in this condition.  
 Sensitivity :Allowable deviation within ±3dB from initial sensitivity.

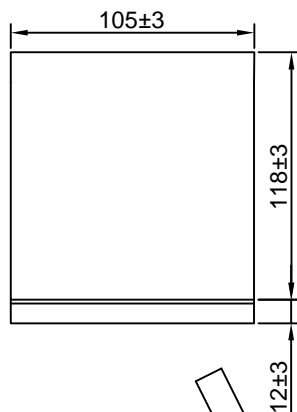
This print and information there in are proprietary to Bestar Electronics Industry Co., Ltd. and shall not be used in whole or in part without its written content

				Date:	11.08.23	BCM4013OLFC-42-JST-ZHR-2	
B	11.08.23	王焕焕		Drawn by:	王焕焕		
A	10.08.01	王焕焕		Checked by:	徐波	<b>Microphone</b>	
Rev.	Date	Drawn	Note	Approved by:	王平		
BESTAR ELECTRONICS INDUSTRY CO.,LTD						DRG NO: BS/TEM01.131B	Page:5 of 7
<a href="http://www.be-star.com">www.be-star.com</a> <a href="mailto:wu@be-star.com">wu@be-star.com</a>							

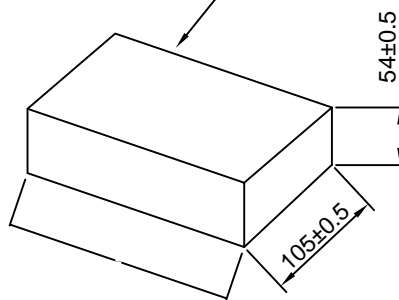
# BCM4013OLFC-42-JST-ZHR-2

## 5. Packing

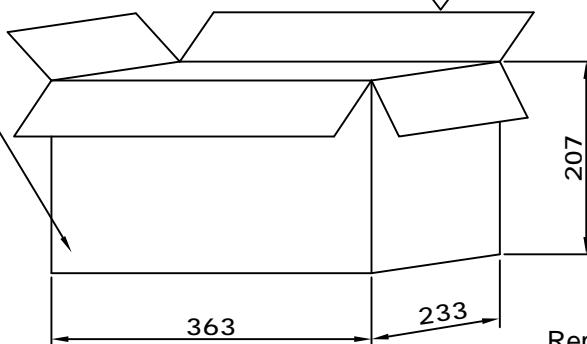
100 PCS  
per anti-static bag



500 PCS  
5 anti-static bags per middle box



4500PCS  
9 middle boxes per carton



Remark:  
100 pcs per anti-static bag  
5 anti-static bags per middle box  
9 middle boxes per carton  
Total 4500pcs per carton  
Size: 363×233×207(mm)

This print and information there in are proprietary to Bestar Electronics Industry Co., Ltd. and shall not be used in whole or in part without its written content

				Date:	11.08.23	BCM4013OLFC-42-JST-ZHR-2	
B	11.08.23	王焕焕		Drawn by:	王焕焕		
A	10.08.01	王焕焕		Checked by:	徐波	Microphone	
Rev.	Date	Drawn	Note	Approved by:	王平		
BESTAR ELECTRONICS INDUSTRY CO.,LTD						DRG NO: BS/TEM01.131B	Page:6 of 7
www.be-star.com wu@be-star.com							

