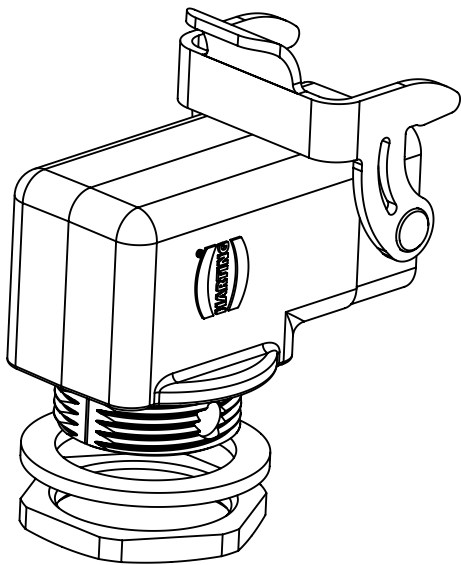
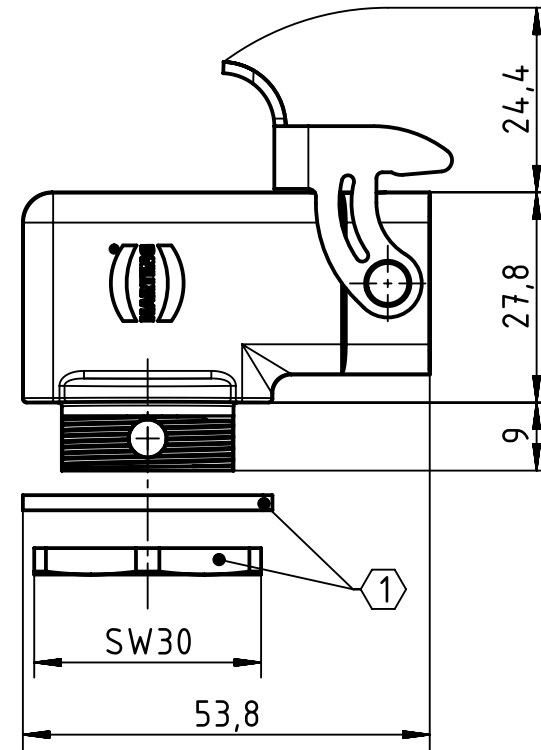
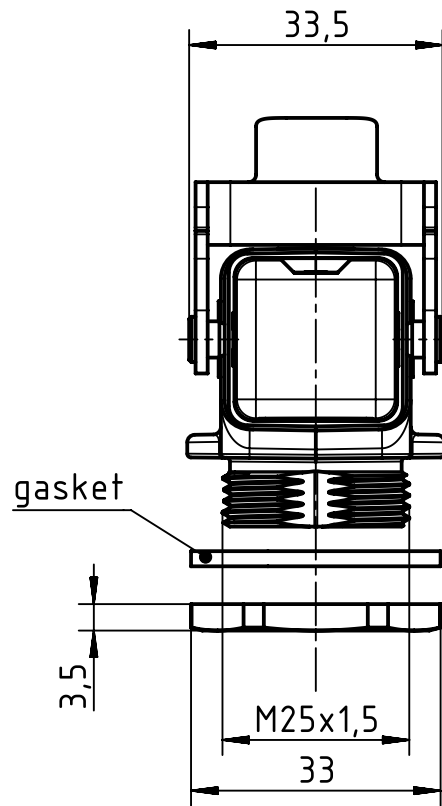
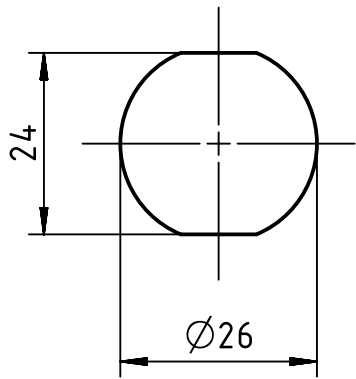


1 2 3 4 5 6

A
B
C
D

1:1
panel cut out



① enclosed separately

	All Dimensions in mm Original Size DIN A4		Scale 1:1	Free size tol.		Ref.
						Sub.
	All rights reserved Department EL PD - DE		Created by MOELLERLI	Inspected by BEISCHER	Standardisation RUETERA	Date 2018-04-11
	HARTING Electric GmbH & Co. KG D-32339 Espelkamp		Title Han 3A-Base angled-M25			State Final Release
			Type TB	Number 19 20 003 1165		Doc-Key / ECM-Nr. 100721871/UGD/001/C 500000133693
					Rev. C	Page 1/1