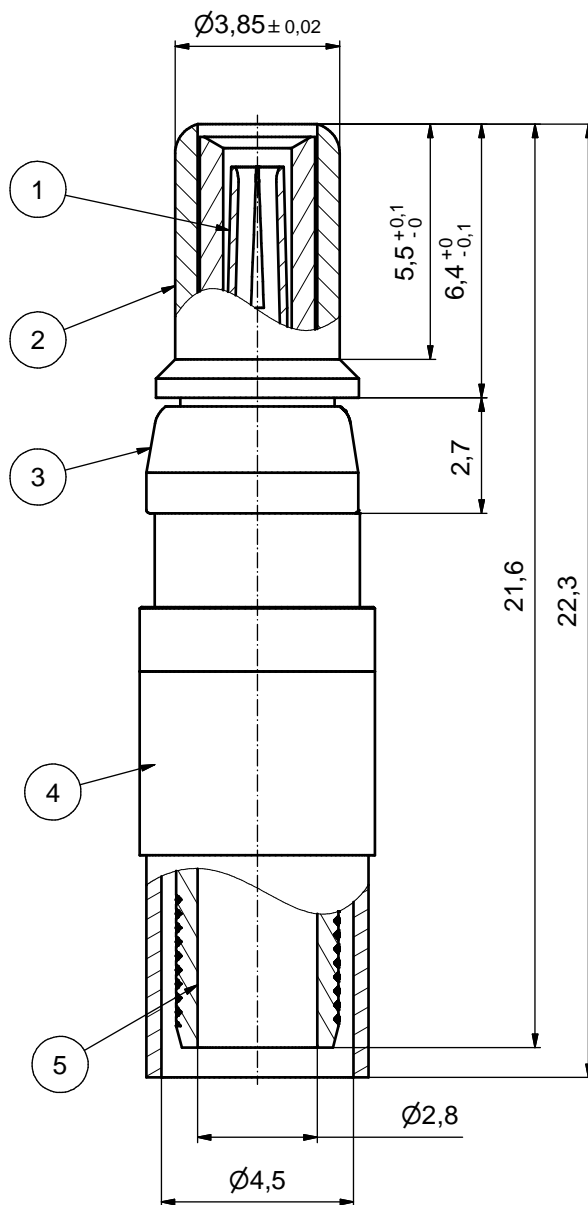
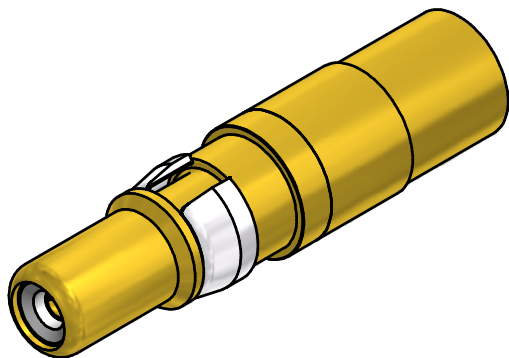
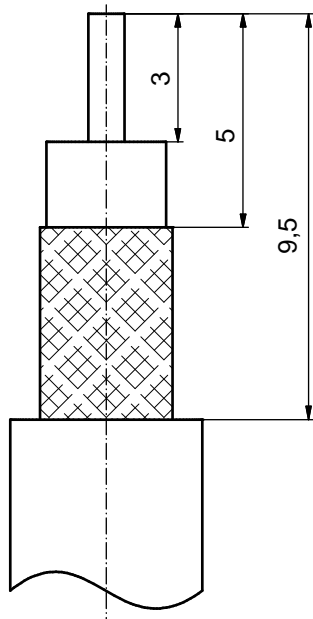


STRIPPING DIMENSIONS



ASSEMBLY TOOLING:

- 1. CENTER CONTACT: SOLDERED
- 2. OUTER CONTACT: 360X10519X
- USER CRIMP TOOL: 360X11019X
- INSERT CAVITY A: HEX 4,52 / .178

| Part no.   | Finish Pos.1                                | Finish Pos.2                                | Finish Pos.3  | Finish Pos. 4/5        |
|------------|---|---|---------------|------------------------|
| 131J20039X | min. 50µin HARD GOLD over min. 50µin NICKEL | min. 30µin HARD GOLD over min. 50µin NICKEL | NICKEL PLATED | GOLD FLASH over NICKEL |
| 131A20039X | GOLD FLASH over NICKEL                      | GOLD FLASH over NICKEL                      | NICKEL PLATED | GOLD FLASH over NICKEL |



APPROVAL # FREIGABE # DEBLOCAGE # AUTORIZACION # APPROVAL

CUSTOMER APPROVAL DATE:

NAME: TITLE:

COMPANY NAME:

APPROVAL # FREIGABE # DEBLOCAGE # AUTORIZACION # APPROVAL

THIS DRAWING MAY NOT BE COPIED OR REPRODUCED IN ANY WAY, AND MAY NOT BE PASSED ON TO A THIRD PARTY WITHOUT WRITTEN PERMISSION. OWNERSHIP AND COPYRIGHT OF CONEC GmbH

DO NOT ALTER CAD DRAWING BY HAND

| rev. | description | date | name | tolerance | dim. in mm | scale:  | material:   |
|------|-------------|------|------|-----------|------------|---|-------------|
|      |             |      |      |           |            | 8:1   | see table   |
|      |             |      |      | date      | name       | title:  |             |
|      |             |      |      | drawn     | 05.10.10   | COAXIAL CONTACT PLUG 50 OHM                   |             |
|      |             |      |      | appd.     | 05.10.10   | inner + outer conductor for crimp termination |             |
|      |             |      |      | norm      |            | for cable 180 B/U                             |             |
|      |             |      |      | d-old     |            | dwg no:                                       | Inventor 10 |
|      |             |      |      |           |            |   | DIN-A3      |
|      |             |      |      |           |            |   | sh: 1       |
|      |             |      |      |           |            | part no:                                      | 13K2A026A   |
|      |             |      |      |           |            |   | see table   |

**CONEC**