

THIS DRAWING IS UNPUBLISHED. RELEASED FOR PUBLICATION. COPYRIGHT copyright.dBTe. ALL RIGHTS RESERVED.

REVISIONS				
P	LTR	DESCRIPTION	DATE	APVD
B		ECR-16-010100 UPDATE NAME	14JUL2016	L.Z X.X

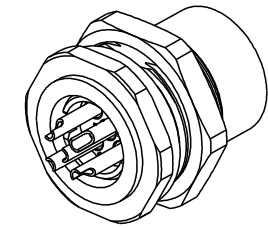
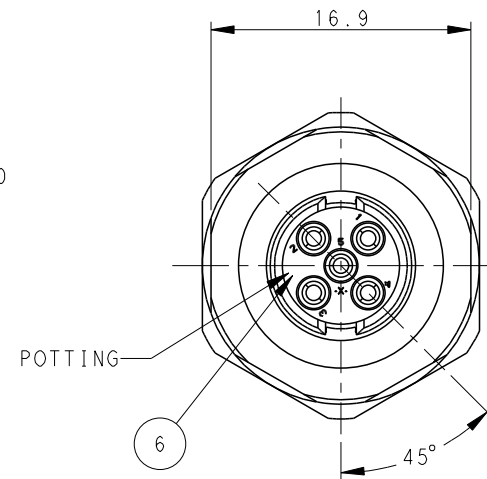
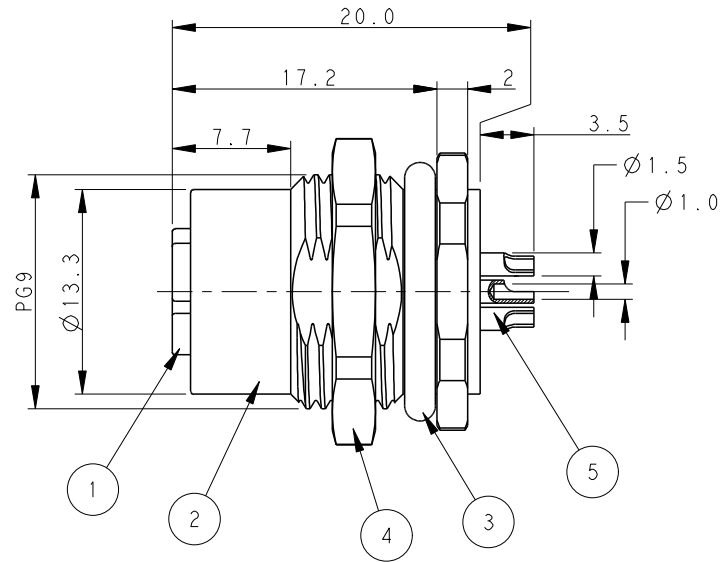
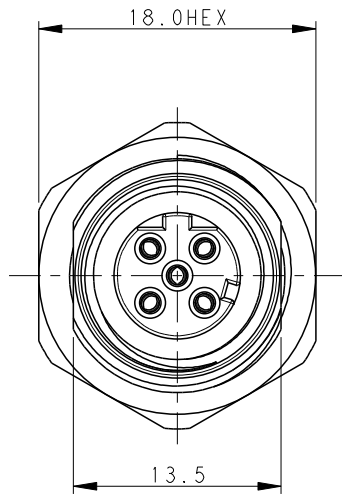


TABLE 1

TECHNICAL DATA	T4131512021-000	T4131512031-000	T4131512041-000	T4131512051-000
RATED VOLTAGE	250V	250V	250V	60V
RATED CURRENT	4A	4A	4A	4A
POLLUTION DEGREE	3	3	3	3
OVERVOLTAGE CATEGORY	II	II	II	II
MATERIAL GROUP	II	II	II	II
CONTACT RESISTANCE	<=10mΩ	<=10mΩ	<=10mΩ	<=10mΩ
INSULATION RESISTANCE	>100MΩ	>100MΩ	>100MΩ	>100MΩ
DEGREE OF PROTECTION	IP67	IP67	IP67	IP67
OPERATION TEMPERATURE	-40~85°C	-40~85°C	-40~85°C	-40~85°C

- NOTE:
1. TECHNICAL DATA: SEE TABLE 1
 2. RECOMMENDED MOUNT PANEL SEE DETAIL
 3. PRODUCT COMPLIES WITH IEC61076-2-101
 4. PLASTIC INERT MATERIAL:UL LISTED WITH UL94V0 FLAME RATING
 5. ALL MATERIALS TO BE ROHS COMPLIANT
 6. ALL MATERIALS TO BE REACH COMPLIANT
 7. PN INFORMATION FOR ASSEMBLY PARTS

- 注释:
- 1: 技术参数, 见表1
 - 2: 推荐开孔尺寸详见如图所示
 - 3: 产品符合标准IEC61076-2-101
 - 4: 塑胶材料符合UL标准, UL-94V0阻燃等级
 - 5: 所有材料符合ROHS参照标准TEC-138-705
 - 6: 所有材料符合REACH参照标准TEC-138-705
 - 7: 成品料号信息如下:

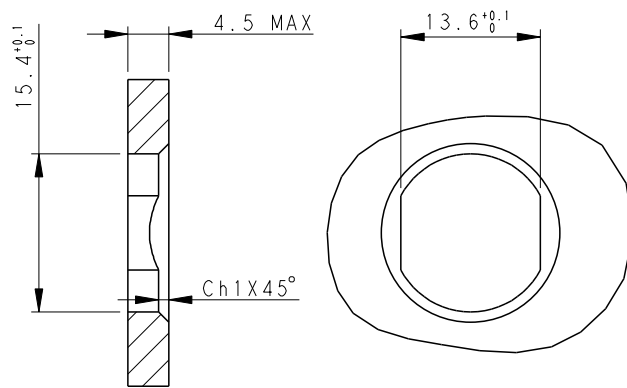
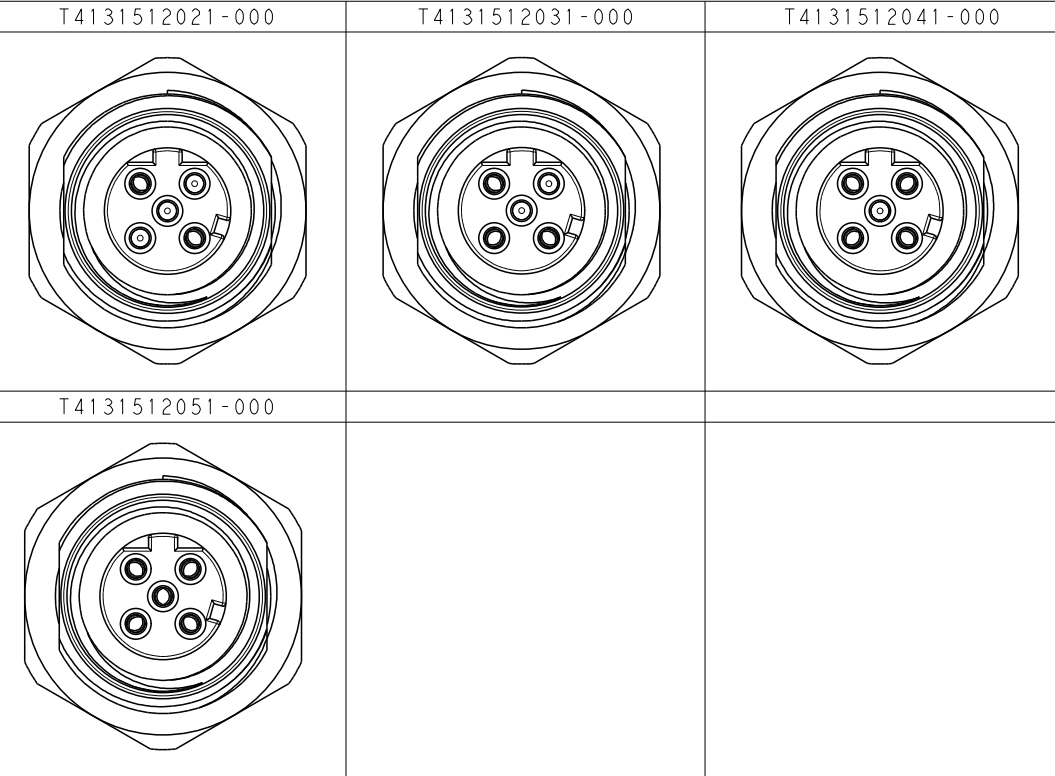
T41315120X1-000

- CONTACT FINISH:
1: GOLD 3u''
NUMBER OF PINS:
02: 2 PINS
03: 3 PINS
04: 4 PINS
05: 5 PINS

T41315120X1-000

- 端子电镀:
1: 3u''金
针数:
02: 2 针
03: 3 针
04: 4 针
05: 5 针

PIN ARRANGEMENT D-CODE



RECOMMENDED PANEL CUTOUT

TE PN	TYPE
T4131512021-000	RPC-M12D-FF-2CON-PG9-LAU
T4131512031-000	RPC-M12D-FF-3CON-PG9-LAU
T4131512041-000	RPC-M12D-FF-4CON-PG9-LAU
T4131512051-000	RPC-M12D-FF-5CON-PG9-LAU

PLATING	MATERIAL	DESCRIPTION	ITEM
-	EPOXY RESIN	POTTING ADHESIVE	6
3u'' GOLD MIN.	COPPER ALLOY	CONTACT	5
200u'' NICKEL MIN.	COPPER ALLOY	METAL NUT	4
-	-	O-RING	3
200u'' NICKEL MIN.	COPPER ALLOY	M12, MALE, METAL BODY	2
-	PA66	M12, MALE HSG	1

THIS DRAWING IS A CONTROLLED DOCUMENT.

DWN BO GAO 04FEB2016
CHK KOBBY ZHAO
APVD XIANG XU
NAME XIANG XU
PRODUCT SPEC 108-106140
APPLICATION SPEC 114-137144
WEIGHT -
CUSTOMER DRAWING

STE TE Connectivity

M12 PANEL MOUNT CONNECTOR
D CODE, FEMALE, REAR MOUNTING
WIRE SOLDERING

SIZE A2 CAGE CODE - DRAWING NO. C-T41315120X1000 RESTRICTED TO -
SCALE 3:1 SHEET 1 OF 1 REV B