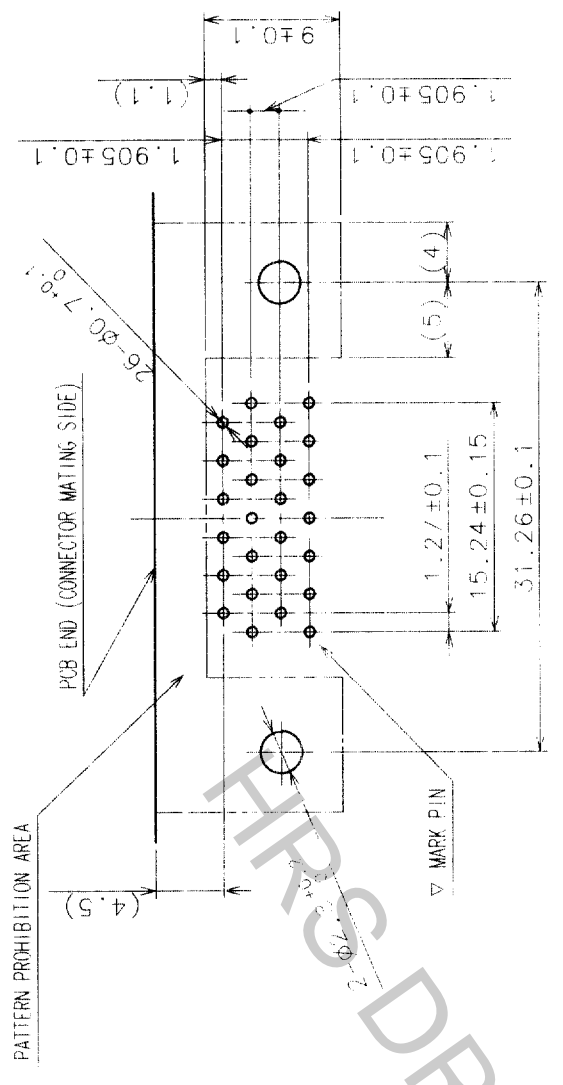


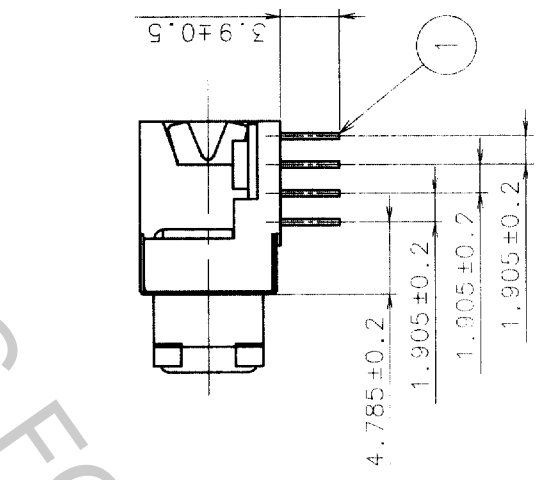
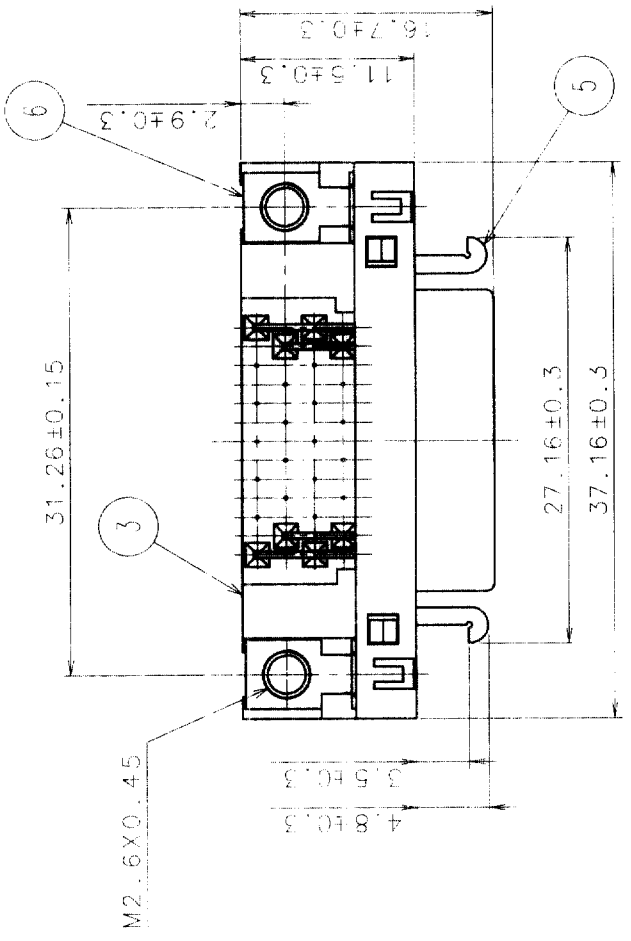
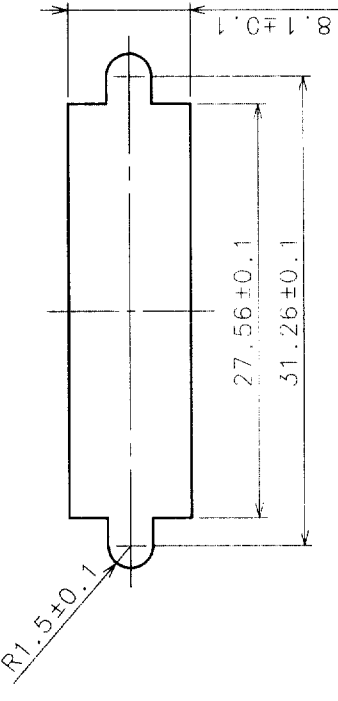
COUNT	DESCRIPTION OF REVISIONS	BY	CHKD	DATE	COUNT	DESCRIPTION OF REVISIONS	BY	CHKD	DATE
1					1				
2					2				
3					3				

RECOMMENDED PC BOARD PATTERN



PANEL CUTOUT

(PANEL THICKNESS TO BE 1.6 mm MAX)



NO.	MATERIAL	FINISH, REMARKS	NO.	MATERIAL	FINISH, REMARKS
3	PBT	(BLACK) UL94V-0	6	STEEL	NICKEL PLATING
2	PBT	(BLACK) UL94V-0	5	STEEL	NICKEL PLATING
1	PHOSPHOR BRONZE	SELECTIVE GOLD FLASH PLATING	4	STEEL	NICKEL PLATING

CODE NO. (OLD)	CL	DRAWN	DESIGNED	CHECKED	APPROVED	RELEASED
		<i>Y. Enami</i>	<i>Y. Enami</i>	<i>Y. Enami</i>	<i>Y. Enami</i>	
		03.10.10	03.10.10	03.10.15	03.10.15	

DRAWING NO.	PART NO.
EDC3-120445-01	DX10G1M-26S(50)

SCALE	UNITS	CODE NO.
2 : 1	mm	CL230-5225-6-50

TO	Q		
----	---	--	--