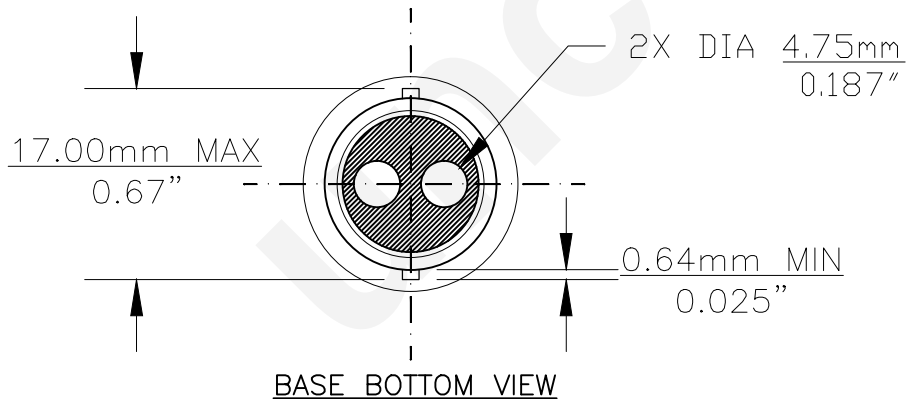
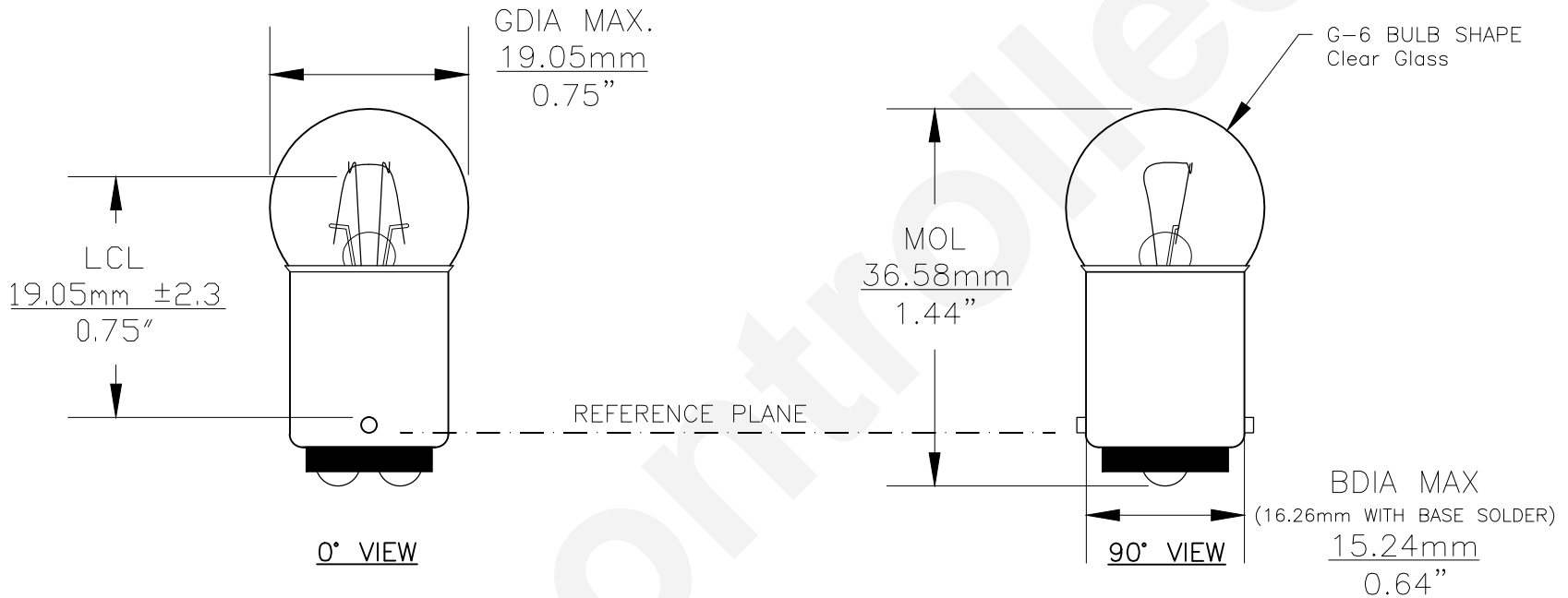




PART NO.	BASE TYPE	DESIGN VOLTS	DESIGN AMPS	MSCD	FILAMENT TYPE	AVERAGE LIFE HOURS	REVISIONS			
							REV #	DESCRIPTION	DATE	APPROVED
304	D.C. BAYONET (BA15d)	28.0V	0.30±8%	6 ±15%	C-2F	500	1	ISSUED	11/13/2014	R.M.



Note: Made according to SAE specifications

UNLESS OTHERWISE SPECIFIED: DIMENSIONS ARE IN INCHES TOLERANCES		CEC INDUSTRIES LTD			
DECIMALS .XX ± .05		599 BOND STREET		LINCOLNSHIRE, IL 60069	
ANGULAR .XXX ± .010		TITLE LIGHT BULB NO. 72			
FRACTIONAL ±1/64		DATE 11/13/2014	SIZE A	DWG NO. 72	REV 1
DRAWN ROSE MEDINA	CHECKED	DESIGN	SCALE	PLOT SCALE	SHEET 1 OF 1
MATERIAL		FILE 72.pdf	DRAWING NOT TO SCALE		