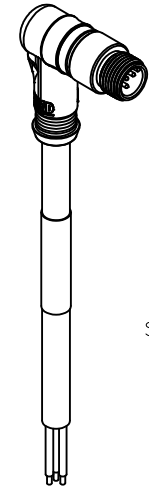
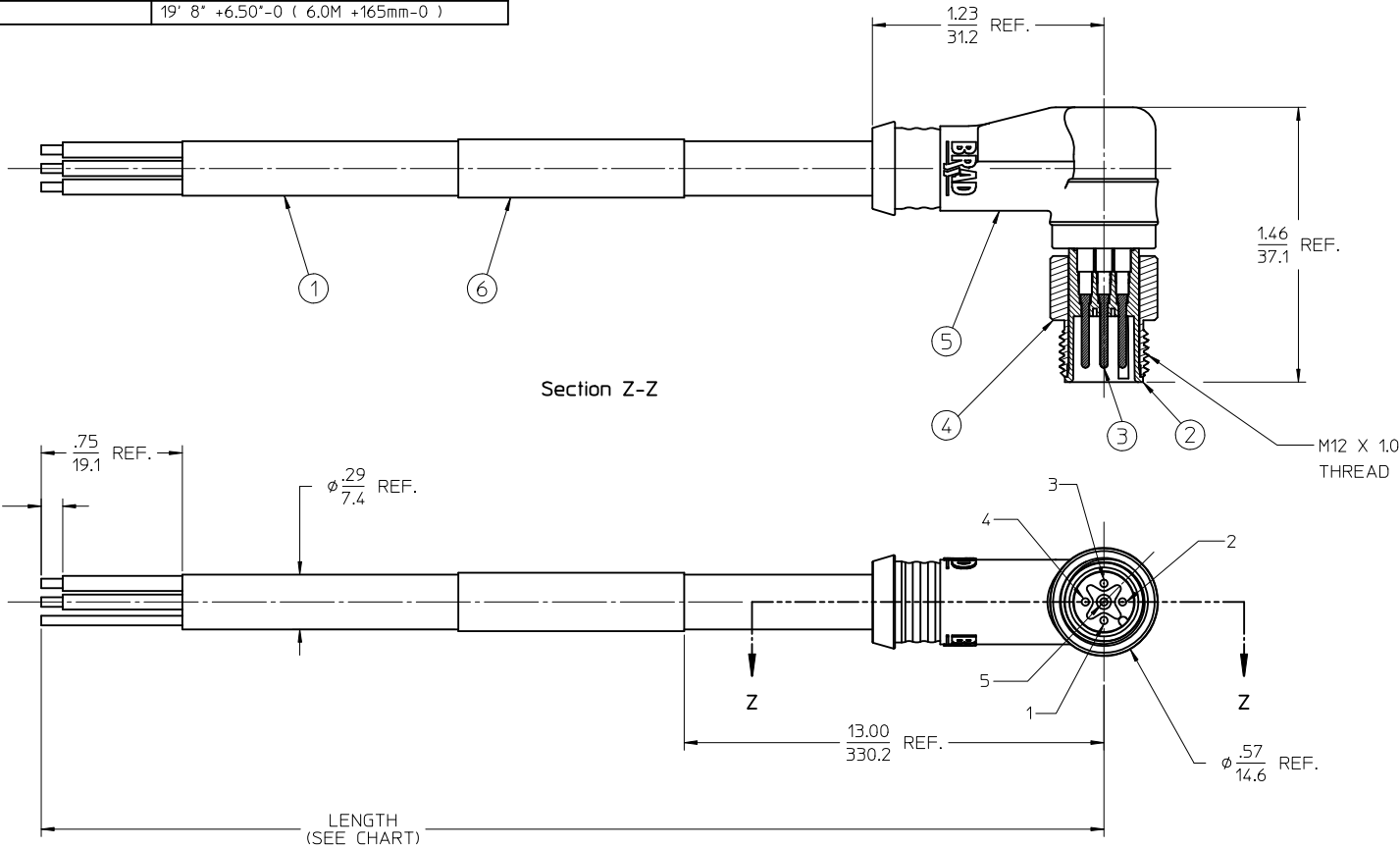


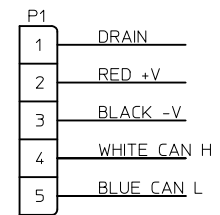
MATERIAL NO.	ENGINEERING NO.	MADE FROM
848548028	84854-8028	1' 8" +1.75"-0 (.5M +45mm-0)
848548029	84854-8029	3' 3" +2.19"-0 (1.0M +56mm-0)
848548030	84854-8030	6' 7" +3.50"-0 (2.0M +89mm-0)
		9' 10" +3.50"-0 (3.0M +89mm-0)
848548031	84854-8031	13' 1" +6.50"-0 (4.0M +165mm-0)
		16' 5" +6.50"-0 (5.0M +165mm-0)
		19' 8" +6.50"-0 (6.0M +165mm-0)



ISO1
Scale 1:1

Section Z-Z

- NOTES:
- MATERIAL: SEE TABLE
 - FINISHES: SEE TABLE
 - PACKAGING: SEALED POLY BAGS WITH BAR-CODE LABEL
 - MATES WITH: MIC 5 POLE DEV-NET RECEPTACLE
 - ELECTRICAL SPECIFICATIONS:
CURRENT RATING: 4.0 AMPS MAX
 - PART IS RoHS COMPLIANT



WIRING DIAGRAM

ITEM	QTY.	DESCRIPTION	MATERIAL	FINISH
6	1	LABEL	PLASTIC FILM	YELLOW/BLACK
5	1	OVERMOLD	PVC	GRAY
4	1	COUPLING NUT, EXT. THREAD	BRASS	NICKEL PLATED
3	5	CONTACT PIN	Cu ALLOY	GOLD PLATED
2	1	INSERT, 5 POLE	NYLON	BLACK
1	1	CABLE, 2 PR. SHIELDED, DEV-NET, THIN	PVC JACKET	GRAY

RELEASED	EC NO: MNA2010-0402	QUALITY SYMBOLS
DRWINRSTONE 2010/01/05	CHKD:B. WOODMAN 2010/01/07	APPR:J.MURPHY 2010/01/07
DESCRIPTION		

GENERAL TOLERANCES (UNLESS SPECIFIED)	
mm	INCH
4 PLACES ± ---	± ---
3 PLACES ± ---	± .005
2 PLACES ± 0.13	± .01
1 PLACE ± 0.3	±
ANGULAR ± 1°	

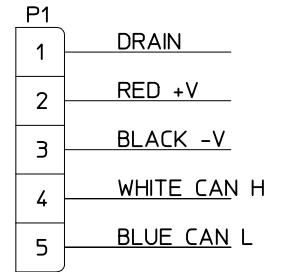
DRAFT WHERE APPLICABLE
MUST REMAIN WITHIN DIMENSIONS

DIMENSION STYLE	
IN/MM	
DRAWN BY	DATE
R.STONE	2009/12/29
CHECKED BY	DATE
B.WOODMAN	2010/01/04
APPROVED BY	DATE
J.MURPHY	2010/01/06

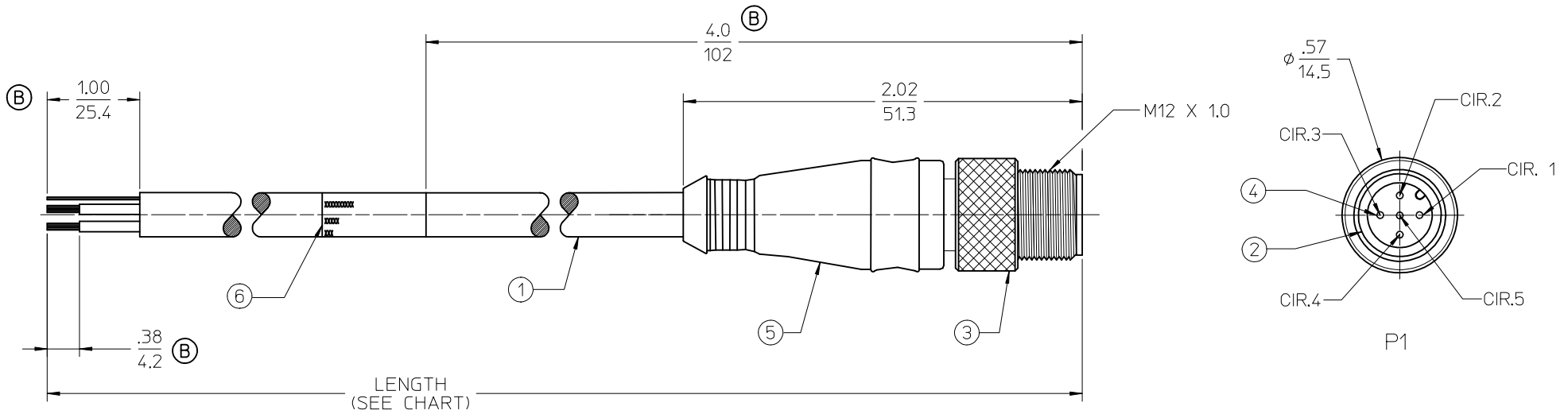
SCALE	DESIGN UNITS	THIRD ANGLE PROJECTION
2:1	INCH	
TITLE		
MIC CABLE ASSEMBLY MALE, 5 POLE, 90 DEG DEV-NET DROP		
MOLEX INCORPORATED		
MATERIAL NO.	DOCUMENT NO.	SHEET NO.
SEE CHART	SD-84854-024	1 OF 1
THIS DRAWING CONTAINS INFORMATION THAT IS PROPRIETARY TO MOLEX INCORPORATED AND SHOULD NOT BE USED WITHOUT WRITTEN PERMISSION		

10	9	8
MATERIAL NO.	ENGINEERING NO.	LENGTH
848548021	84854-8021	.5M +44.5mm-0
848548022	84854-8022	1M +55.6mm-0
848548023	84854-8023	2M +88.9mm-0
848548024	84854-8024	3M +88.9mm-0
848548025	84854-8025	4M +165.1mm-0
848548026	84854-8026	5M +165.1mm-0
848548027	84854-8027	6M +165.1mm-0
848548032	84854-8032	1 FT .75IN-0
848548033	84854-8033	3 FT +1.75IN-0
848548034	84854-8034	4 FT +2.19IN-0
848548035	84854-8035	9 FT +3.50IN-0
848548036	84854-8036	10M +317.5mm-0

- (B) NOTES:
1. MATERIAL: SEE TABLE
 2. FINISHES: SEE TABLE
 3. ELECTRICAL SPECIFICATIONS
VOLTAGE RATING: 250V
CURRENT RATING: 4 AMPS
 4. PROTECTION: IP67 (WHEN MATED)
 5. TEMP RANGE: -20°C TO +80°C
 6. DIMS SHOWN ARE FOR REFERENCE ONLY UNLESS OTHERWISE NOTED



WIRING DIAGRAM



TABLE

6	WRAP LABEL	MYLAR	BLACK/YELLOW
5	OVERMOLD	PVC	GRAY
4	CONTACT PINS	Cu ALLOY	GOLD PLATED
3	COUPLING, MALE THD, METRIC	BRASS	NICKEL PLATED
2	INSULATOR, 5/C, DC KEY	NYLON	BLACK
1	CABLE, DEVICE-NET, THIN	PVC	GRAY
ITEM	DESCRIPTION	MATERIAL	FINISH

ADD P/N 848548036, DIMS.
UPDATE NOTES REV.
EC NO: IPG2017-06Z7

DRMWRSTONE 2016/12/21
CHKDK COX 2016/12/28
APPR: BWOODMAN 2017/02/04

DESCRIPTION

QUALITY SYMBOLS

▽=0

▽=0

GENERAL TOLERANCES (UNLESS SPECIFIED)

	mm	INCH
4 PLACES	± ---	± ---
3 PLACES	± ---	± ---
2 PLACES	± ---	± ---
1 PLACE	± ---	± ---
0 PLACE	± ---	± ---

ANGULAR ± ---°

DRAFT WHERE APPLICABLE MUST REMAIN WITHIN DIMENSIONS

DIMENSION STYLE IN/MM

DRAWN BY DATE
RSTONE 2016/12/21

CHECKED BY DATE
K COX 2016/12/28

APPROVED BY DATE
BWOODMAN 2017/02/04

MATERIAL NO. SEE CHART

SIZE B

SCALE 1:1

DESIGN UNITS INCH

THIRD ANGLE PROJECTION

TITLE
MICRO-CHANGE ASSEMBLY
MALE, SINGLE END
NMEA2000

DOCUMENT NO. SD-84854-018

SHEET NO. 1 OF 1

THIS DRAWING CONTAINS INFORMATION THAT IS PROPRIETARY TO MOLEX INCORPORATED AND SHOULD NOT BE USED WITHOUT WRITTEN PERMISSION