



# Enpirion® Power Datasheet

## EC2630QI 4.5A, 27W 12V DC-DC Intermediate Voltage Bus Converter

### Description

The EC2630QI is a high density, high efficiency DC-DC intermediate voltage bus converter which generates an output voltage that tracks one half the input voltages and is designed to provide power to Altera's highly integrated Enpirion DC-DC point-of-load converter products for a complete 12V solution. EC2630QI provides the means to condition power from a 12V input, to supply multiple lower voltage converters while enabling high efficiency and small PCB area. Due to its extremely high efficiency, it avoids the common two stage power conversion penalty and is equivalent to or better than direct regulation.

This Altera Enpirion solution significantly helps in system design and productivity by offering greatly simplified board design, layout and manufacturing. In addition, a reduction in the number of vendors required for the complete power solution helps to enable an overall system cost savings. All of Altera's Enpirion products are RoHS compliant.

### Features

- Complete power conditioning solution from a 12V power bus
- 5.5mm x 5.5mm x 3mm QFN Package
- Total solution size of 228mm<sup>2</sup>
- Input voltage range of 10V to 13.2V
- The output voltage is one half of the input voltage
- High and flat efficiency, up to 97.5%
- 4.5A Continuous Output Current Capability
- Master/Slave Mode for Parallel Operation
- VIN\_OK pin
- Thermal shutdown, short circuit, and UVLO protection
- RoHS compliant, MSL level 3, 260C reflow

### Applications

- Applications requiring down conversion from a 12V bus to an output voltage with high efficiency.
- Systems requiring multiple voltage rails such as FPGA and ASIC.
- Enterprise, Industrial, Embedded, and Telecommunication applications.
- Multi-rail computer & network interface applications such as PCIe and ATCA AMC cards.

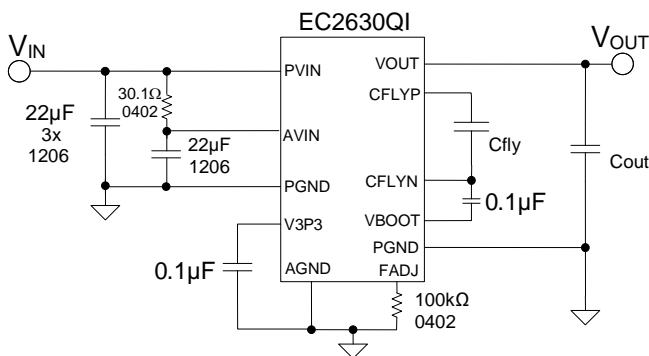


Figure 1. Typical Application Schematic Optimized for Maximum Efficiency

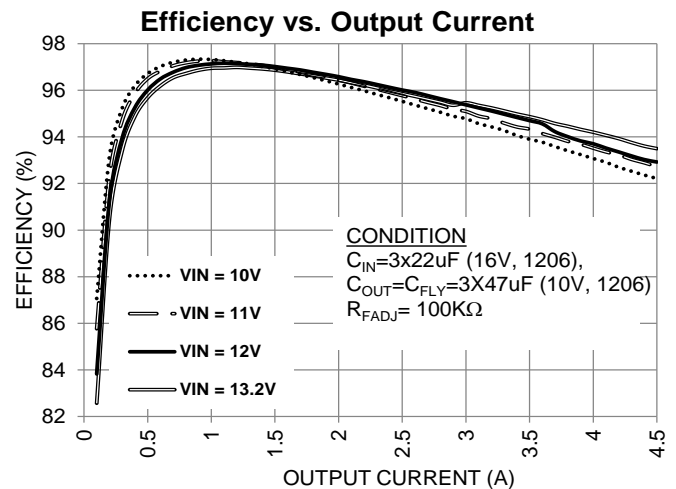


Figure 2. Highest Efficiency in Smallest Solution Size

## Ordering Information

Part Number	Package Markings	T <sub>AMBIENT</sub> Rating (°C)	Package Description
EC2630QI	EC2630QI	-40 to +85	36 pin (5.5mm x 5.5mm x 3mm) QFN Package
EVB-EC2630QI	EC2630QI		QFN Evaluation Board

Packing and Marking Information: [www.altera.com/support/reliability/packing/rel-packing-and-marking.html](http://www.altera.com/support/reliability/packing/rel-packing-and-marking.html)

## Pin Assignments (Top View)

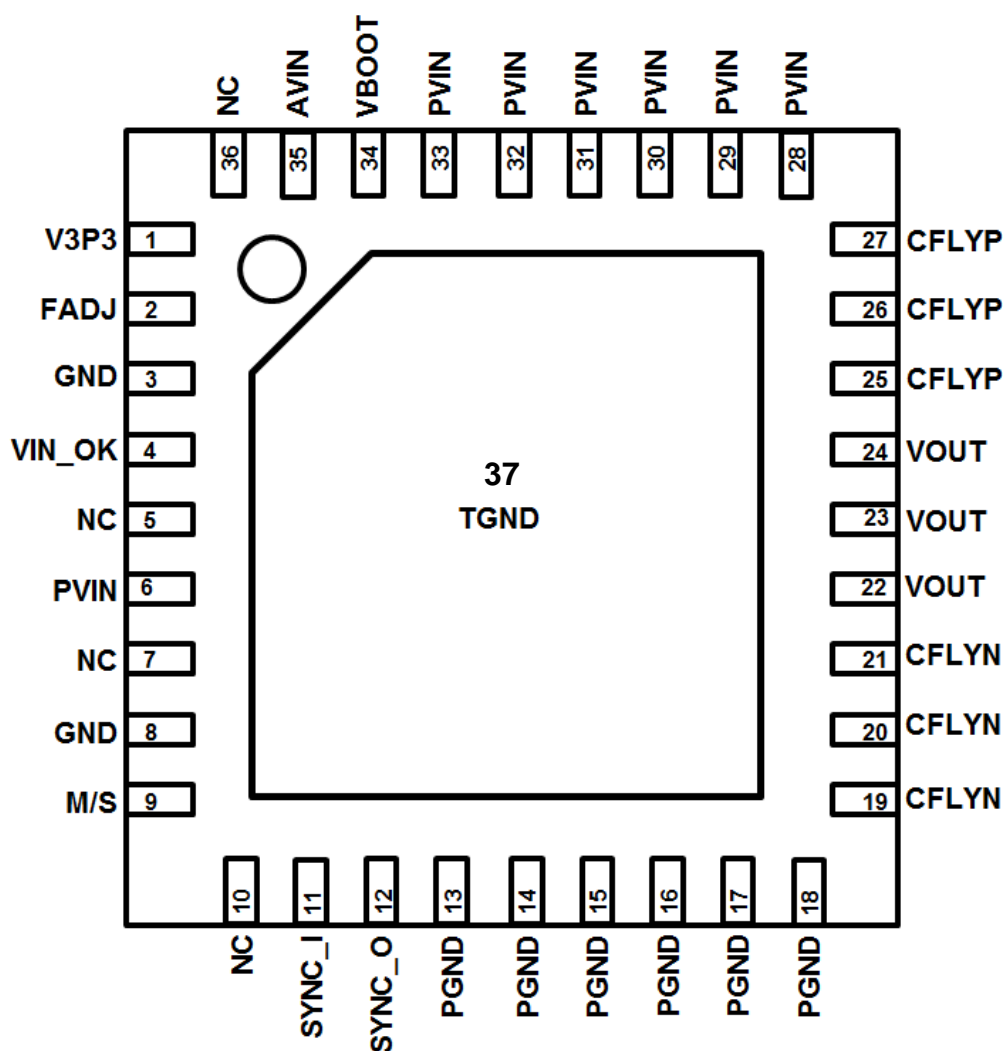


Figure 3. Pin-out diagram (Top View)

**NOTE A:** NC pins are not to be electrically connected to each other or to any external signal, ground, or voltage. Failure to follow this guideline may result in damage to the device.

**NOTE B:** The white dot on the top left of the device package is the pin-1 indicator.

## Pin Descriptions

I/O Legend: P=Power G=Ground NC=No Connect I=Input O=Output I/O=Input/output

PIN	NAME	I/O	FUNCTION
1	V3P3	O	Internal Regulated Supply Output. Connect bypass capacitor from V3P3 to GND.
2	FADJ	I/O	Frequency Adjust pin used to set the switching frequency. Connect a 100kΩ resistor from FADJ pin to GND.
3, 8	GND	G	Internally Regulated Supply Ground. Must tie directly to ground plane with a via right next to each pin.
4	VIN_OK	O	Open drain transistor for power system state indication for nominal 12V operation. VIN_OK is logic high when Vin is greater than 9V. This pin can be used to control the ENABLE signals of downstream converters powered by the EC2630. Refer to the Application Schematic section for more details on sequencing.
5, 7, 10, 36	NC	NC	NO CONNECT – Do not electrically connect these pins to each other or to any other electrical signal. CAUTION: May be internally connected.
6	PVIN	P	Main Input Supply
9	M/S	I	Master/Slave pin for clock synchronization. Logic low = Master. Logic high = Slave. Use in master mode for standalone devices.
11	SYNC_I	I	External Synchronizing Clock Input, input accepted in Slave mode from an EC2630 operating in master mode. May be left floating when used in master mode.
12	SYNC_O	O	Synchronizing Clock Output. Provides clock input to EC2630s in slave mode.
13-18	PGND	G	Power ground for the switching voltage attenuator
19-21	CFLYN	I/O	Negative Terminal of Flying Capacitor
22-24	VOUT	O	Converter Output Voltage
25-27	CFLYP	I/O	Positive Terminal of Flying Capacitor
28-33	PVIN	P	Main Input Supply
34	VBOOT	I/O	Internal power Supply for high-side drive. Connect a 0.1uF/25V boot-strap capacitor from VBOOT to CFLYN.
35	AVIN	P	Quiet Input Supply for Controller. Connect to PVIN through an RC filter. Refer to application schematics for details
37	TGND	G	This pad is a thermal ground. It must be thermally and electrically connected to the ground plane through a matrix of vias.

## Absolute Maximum Ratings

**CAUTION:** Absolute Maximum ratings are stress ratings only. Functional operation beyond recommended operating conditions is not implied. Stress beyond absolute maximum ratings may cause permanent damage to the device. Exposure to absolute maximum rated conditions for extended periods may affect device reliability.

PARAMETER	SYMBOL	MIN	MAX	UNITS
Input Supply Voltage – PVIN, AVIN	V <sub>IN</sub>	-0.5	13.5	V
Input Voltage – VIN_OK, CFLYN, CFLYP, Vout		-0.5	V <sub>IN</sub>	V
Input Voltage – V3P3, FADJ, M_S, SYNC_I, SYNC_O		-0.5	3.5	V
Input Voltage – VBOOT		-0.5	V <sub>IN</sub> + 8	V
Storage Temperature Range	T <sub>STG</sub>	-65	150	°C
Maximum Operating Junction Temperature	T <sub>J-ABS MAX</sub>		150	°C
Reflow Temp, 10 Sec, MSL3 JEDEC J-STD-020A			260	°C
ESD Rating (based on Human Body Model): AVIN	Positive Negative	1500 2000		V
ESD Rating (based on Human Body Model): All other pins		2000		V
ESD Rating (based on Charged Device Model)		500		V

## Recommended Operating Conditions

PARAMETER	SYMBOL	MIN	TYP	MAX	UNITS
Input Voltage Range	V <sub>IN</sub>	10	12	13.2	V
PVIN Slew Rate		0.5		5	V/ms
Continuous Output Current	I <sub>OUT_MAX</sub>			4.5	A
Operating Junction Temperature	T <sub>J</sub>	-40		+125	°C

## Thermal Characteristics

PARAMETER	SYMBOL	MIN	TYP	MAX	UNITS
Thermal Shutdown	T <sub>SD</sub>		155		°C
Thermal Shutdown Hysteresis	T <sub>SDH</sub>		25		°C
Thermal Resistance: Junction to Case	θ <sub>JC</sub>		1		°C/W
Thermal Resistance: Junction to Ambient	θ <sub>JA</sub>		19		°C/W

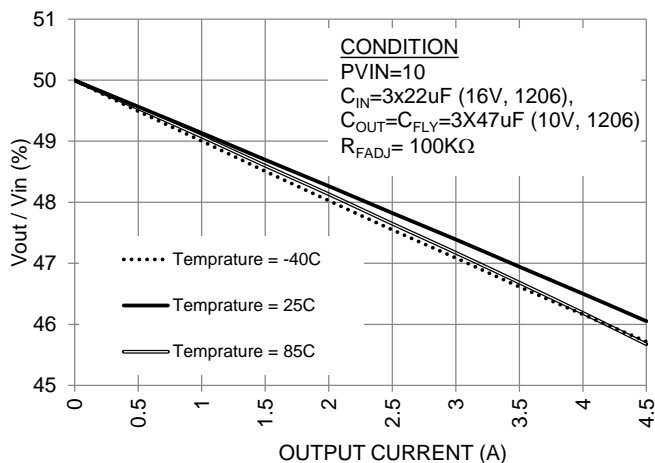
## Electrical Characteristics

NOTE: V<sub>IN</sub>=12.0V over operating temperature range unless otherwise noted. Typical values are at T<sub>A</sub> = 25°C.

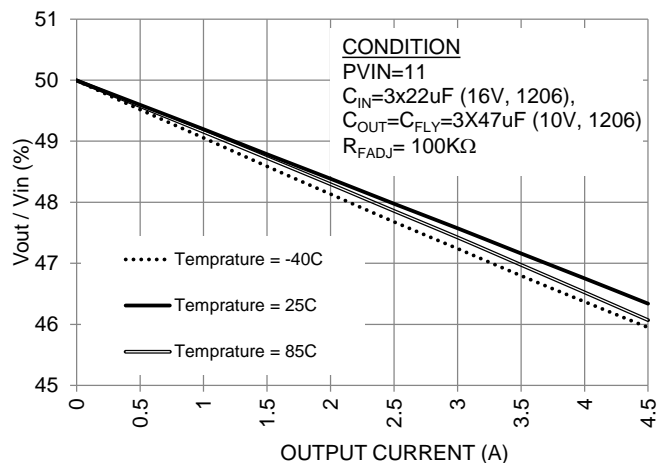
PARAMETER	SYMBOL	TEST CONDITIONS	MIN	TYP	MAX	UNITS
Operating Boot Strap Voltage	V <sub>BOOT</sub>	@ V <sub>IN</sub> =12V, with 0.1uF capacitor between V <sub>BOOT</sub> and C <sub>FLYN</sub>		17		V
Internal Regulated Supply Output	V <sub>3P3</sub>	@ V <sub>IN</sub> =12V	2.97	3.3	3.63	V
Input under Voltage Lockout	V <sub>UVLO</sub>		4.5	5	5.5	V
Input Voltage Indication Rising	VIN_OK		8	9	10	V
Input Voltage Indication Falling	VIN_OK		7	8	9	V
No-Load Operating Current	I <sub>OP</sub>	@ 12V input and 115kHz switching		16		mA
Switching Frequency (Internal Oscillator)	F <sub>OSC</sub>	R <sub>FADJ</sub> = 100 kΩ	68	115	165	kHz
Frequency Adjust Voltage	V <sub>FADJ</sub>			1.2		V
Output Voltage as a fraction of input voltage	V <sub>OUT</sub>	10V ≤ V <sub>IN</sub> ≤ 13.2V, 0A ≤ I <sub>LOAD</sub> ≤ 4A	45		50	%
Output Impedance	R <sub>OUT</sub>	$\frac{\Delta V_{OUT}}{\Delta I_{LOAD}}$ R <sub>FADJ</sub> = 100 KΩ		90		mΩ
M_S input Logic Low	M_S_I_VIL		-0.3		0.3	V
M_S input Logic High	M_S_I_VIH		V <sub>3P3</sub> -0.6	V <sub>3P3</sub>	V <sub>3P3</sub> + 0.3	V
Clock Input Logic Low	SYNC_I_VIL				0.3	V
Clock Input Logic High	SYNC_I_VIH		1.8		3.3	V
Clock Output Logic Low	SYNC_O_VOL				0.3	V
Clock Output Logic High	SYNC_O_VOH	@ 1mA	V <sub>3P3</sub> -0.6			V
VIN_OK, sink capability				1		mA
Current Balance	ΔI <sub>OUT</sub>	With 2 to 4 Converters in Parallel, the Difference Between Nominal and Actual Current Levels.		+/-10		%

# Typical Performance Curves

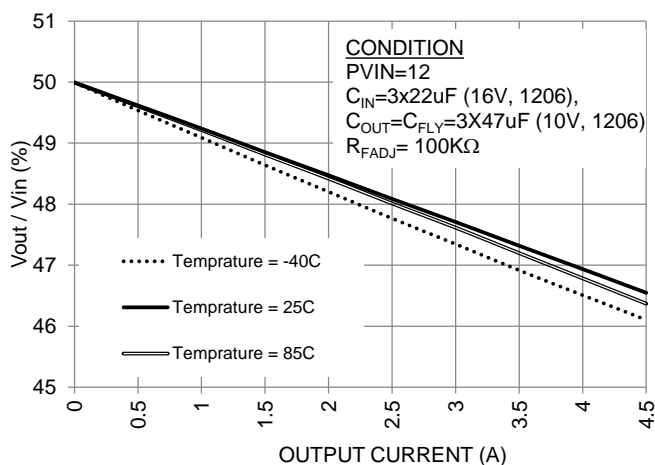
**Output Voltage as a fraction of VIN at different Temperature**



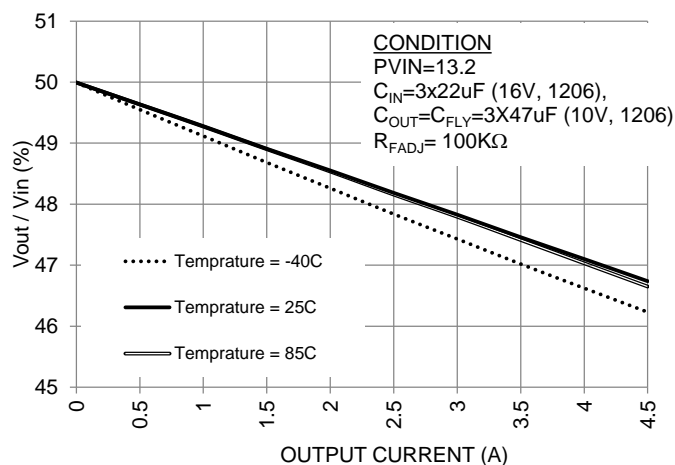
**Output Voltage as a fraction of VIN at different Temperature**



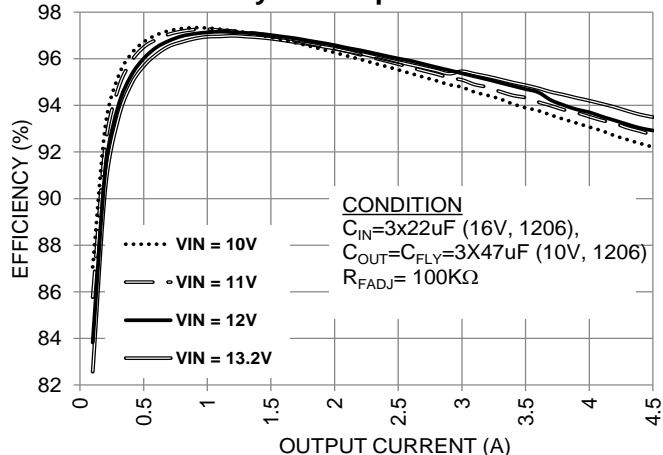
**Output Voltage as a fraction of VIN at different Temperature**



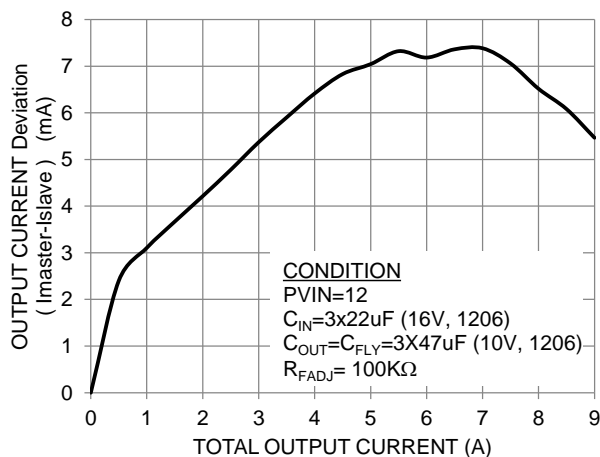
**Output Voltage as a fraction of VIN at different Temperature**



**Efficiency vs. Output Current**

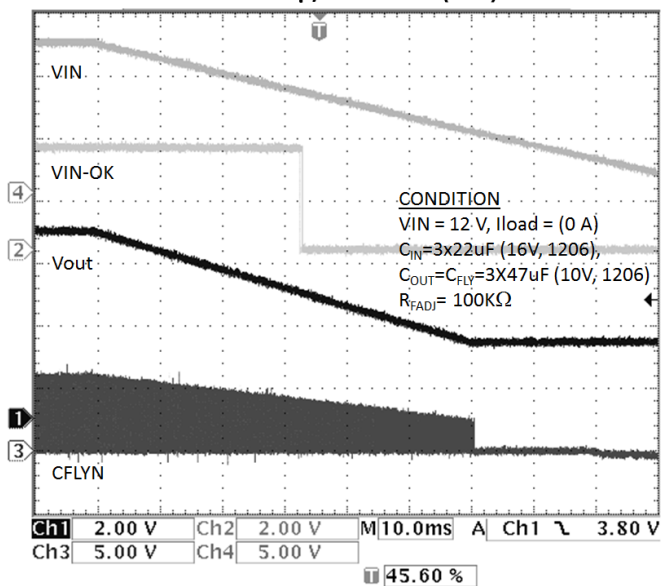


**Parallel current Deviation**

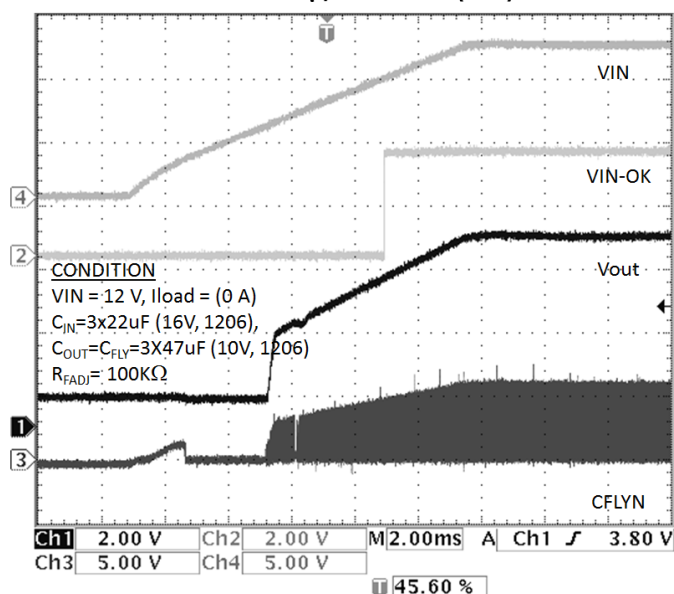


# Typical Performance Characteristics

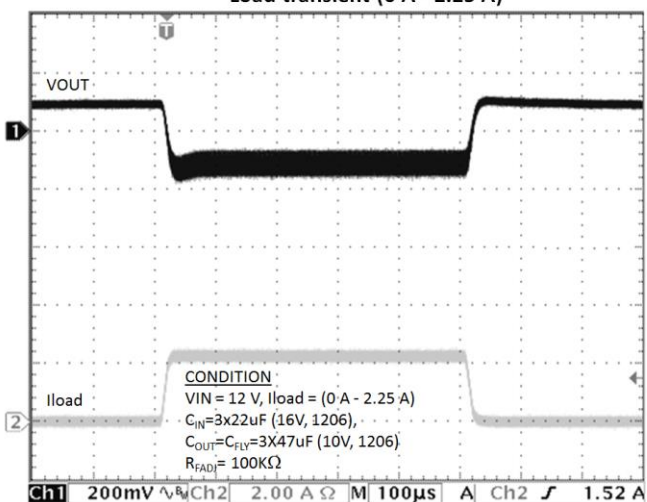
Startup/Shutdown(0 A)



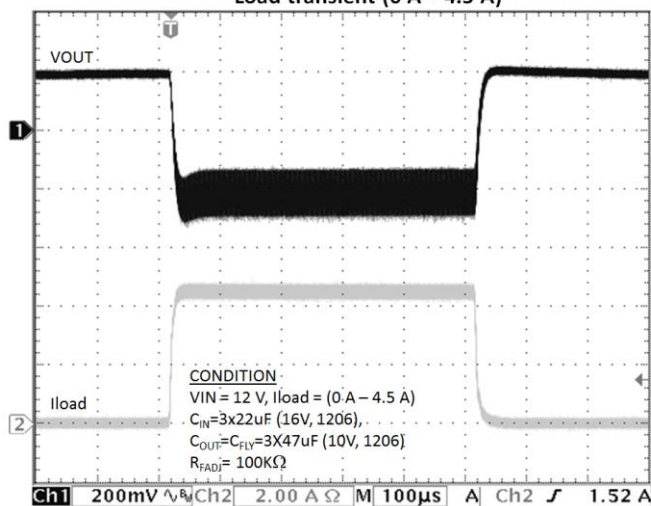
Startup/Shutdown(0 A)



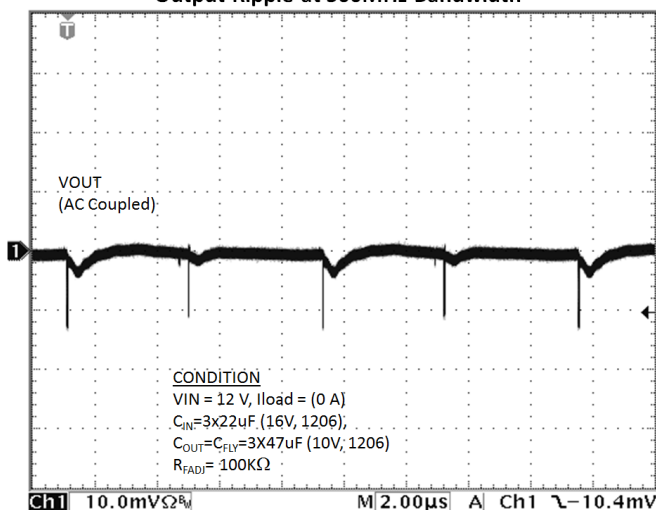
Load transient (0 A - 2.25 A)



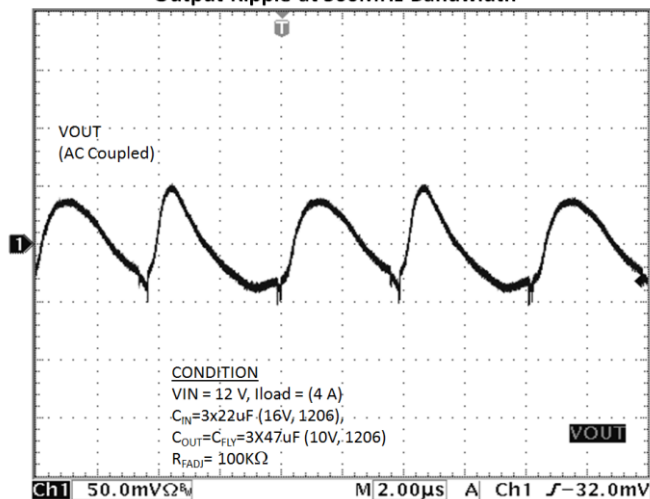
Load transient (0 A - 4.5 A)



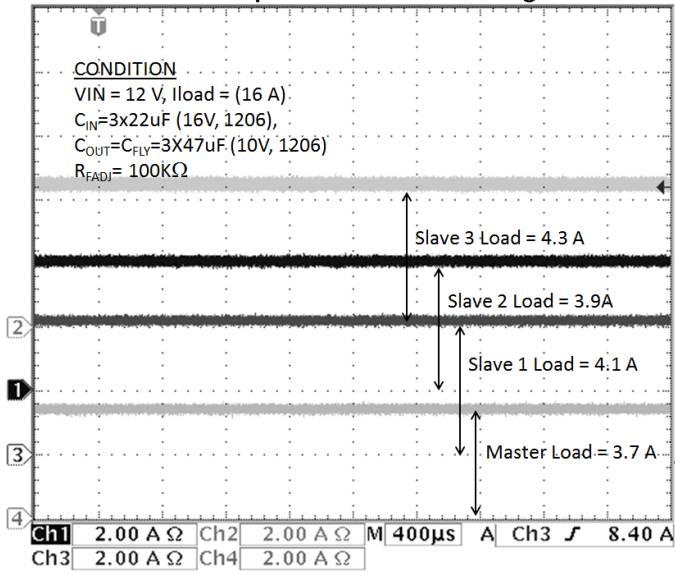
Output Ripple at 500MHz Bandwidth



Output Ripple at 500MHz Bandwidth



Parallel operation current sharing





## Functional Block Diagram

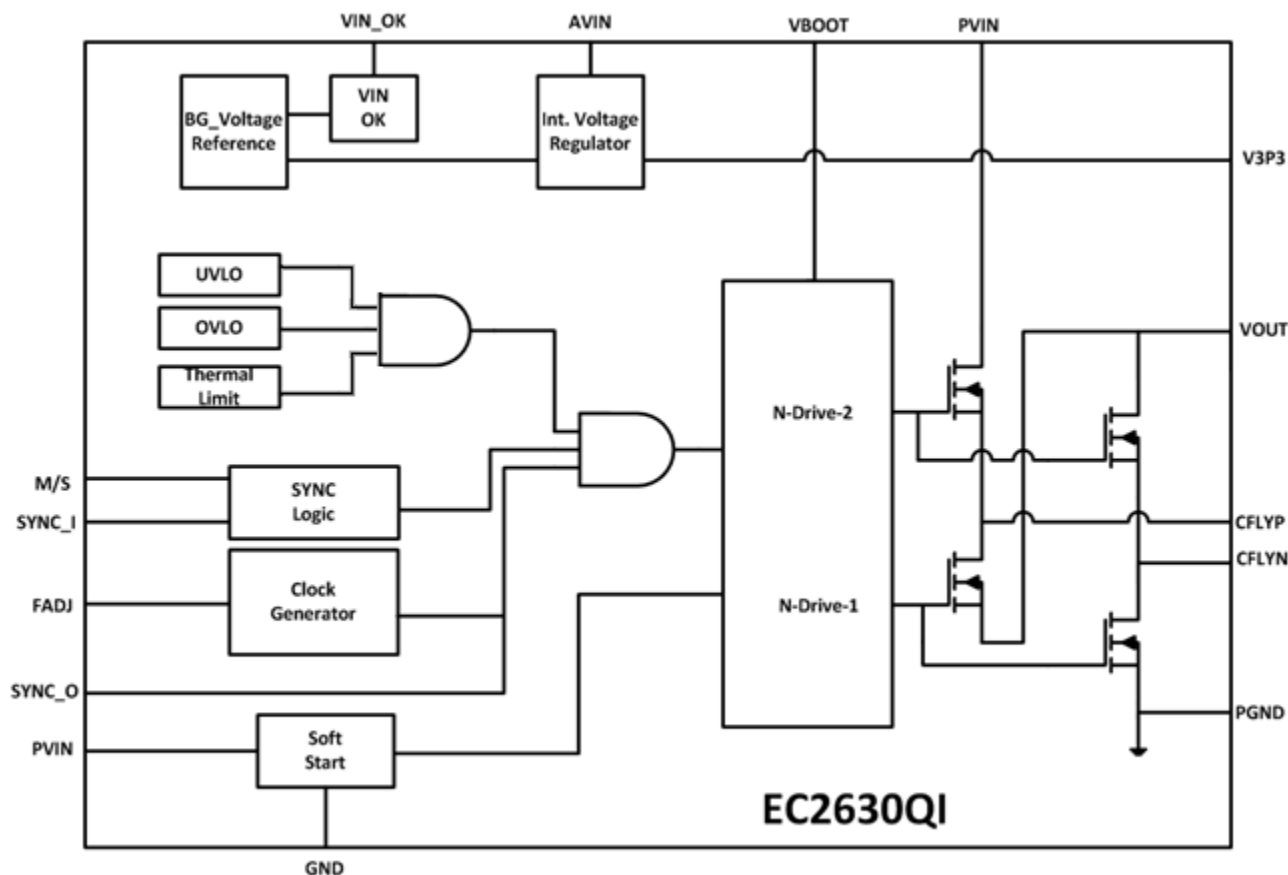


Figure 4. Functional Block Diagram

## Theory of Operation

### Bus Voltage Divider

The EC2630QI is an open loop voltage divider. It generates an output voltage which is approximately one half of the input voltage value. The device uses switched capacitor topology to divide the input voltage by a factor of 2. External capacitors are charged in series during one half of a clock cycle and the capacitors are then connected in parallel during the second half of the clock cycle. The output voltage depends on the input voltage and the load current.

This device has been designed specifically for use with Altera's Enpirion point-of-load products for output voltage regulation.

The Voltage Divider has the following features:

- Thermal shutdown with hysteresis.
- Under-voltage lockout circuit to disable the converter output when the input voltage is less than approximately 5V.
- Switching frequency is internally generated. However, a clock signal from a Master

EC2630QI may be applied externally when the device is configured in Slave mode.

- When in Master mode, the device will output its internal clock to the SYNC\_O pin.
- Soft-start circuit, to limit the in-rush current when the converter is powered up.
- VIN\_OK indicator signal.

### Frequency Sync (Master/Slave)

In Master mode, the internal switching frequency of the Master device is output through SYNC\_O pin. This clock signal can be used to drive other EC2630QI devices for synchronization or parallel operation. In Slave mode, a master device's SYNC\_O pin provides the clock input by connecting it to the slave device's SYNC\_I pin. Note that in order for the device to function properly in slave mode, it has to be clocked from a valid EC2630QI master device. Applying any other external signal/clock to the SYNC\_I pin might cause unpredictable operation and potentially damage the device.



## Startup and Shutdown

**NOTE:** The device must not be loaded during startup and shutdown (see Figure 5 description).

Soft start is a means to reduce the in-rush current when the device starts up. When the device is ramping up the input voltage, and the output capacitors are discharged, a large current flow is averted by modulating the gate drive of the NFET during the soft start interval. This interval is pre-programmed and not user programmable.

## Thermal Overload Protection

Thermal shutdown will disable operation when the Junction temperature exceeds the value given in the Thermal Characteristics table. Once the junction temperature drops by the hysteresis

temperature, the converter will re-start with a normal soft-start.

## Input Under-Voltage Lock-out

Internal circuits ensure that the converter will not start switching until the input voltage is above the specified minimum voltage of ~5V. If the voltage drops below the UVLO threshold the lockout circuitry will again disable the switching. Hysteresis is included to prevent chattering between states.

## Frequency Adjustment

The device must be set to run at 115 kHz switching frequency with a 100 k $\Omega$  resistor connected between FADJ pin and GND to ensure proper operation of the device.

## Capacitor Selection

The EC2630QI requires a range of capacitance depending on application configuration. Capacitor selection is dependent upon power level, efficiency, space, and cost requirements. Low-cost, low-ESR X5R or X7R ceramic capacitors should be used. Either 1206 or 1210 case sizes are recommended. In general, 1210 capacitors exhibit less voltage coefficient than 1206 capacitors, providing more capacitance per unit volume-volt. Y5V or equivalent dielectric formulations must not be used as they lose capacitance with frequency, temperature and bias voltage.

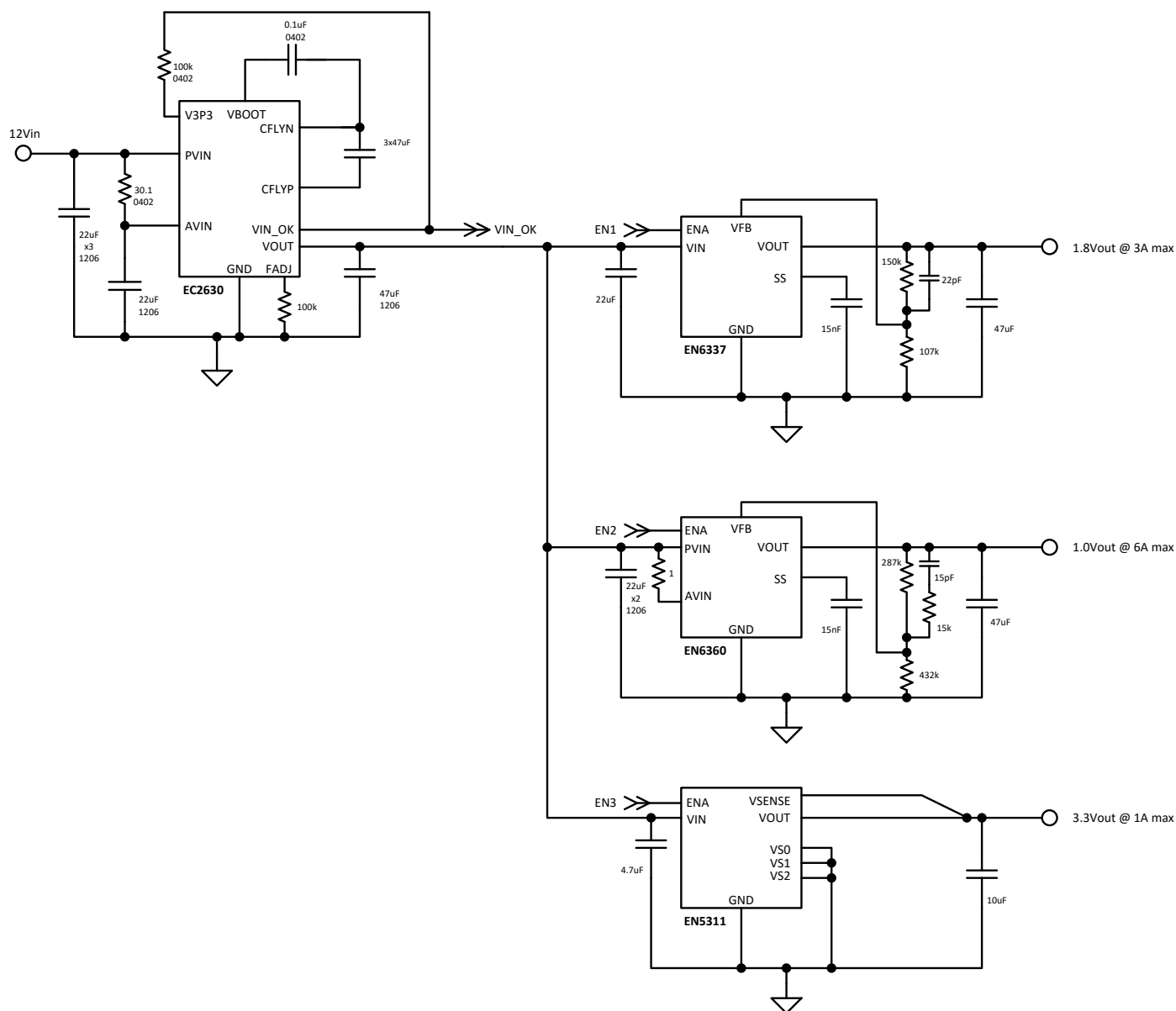
**NOTE:** The total output capacitance must be greater than or equal to 100 $\mu$ F and cannot exceed 250 $\mu$ F.

Capacitor selection guidelines to support full output load (4.5A):

- Input Capacitors-  
A typical implementation might use 3x22 $\mu$ F, 16V 1206, MLCC capacitors
- Output Capacitors-  
As EC2630 is used to power up downstream Altera Enpirion point-of-load (POL) converters, the input capacitors for the downstream POL converters are the output capacitors for the EC2630QI. Wherever possible, it is recommended to have the downstream converters close to the bus converter.
  - The minimum implementation for output capacitor uses a 10 $\mu$ F local cap.

- Flying Capacitors-  
Flying capacitors should be at least equal to the output capacitors, and a typical implementation might use 3x47 $\mu$ F, 10V, and 1206.

## Application Schematic

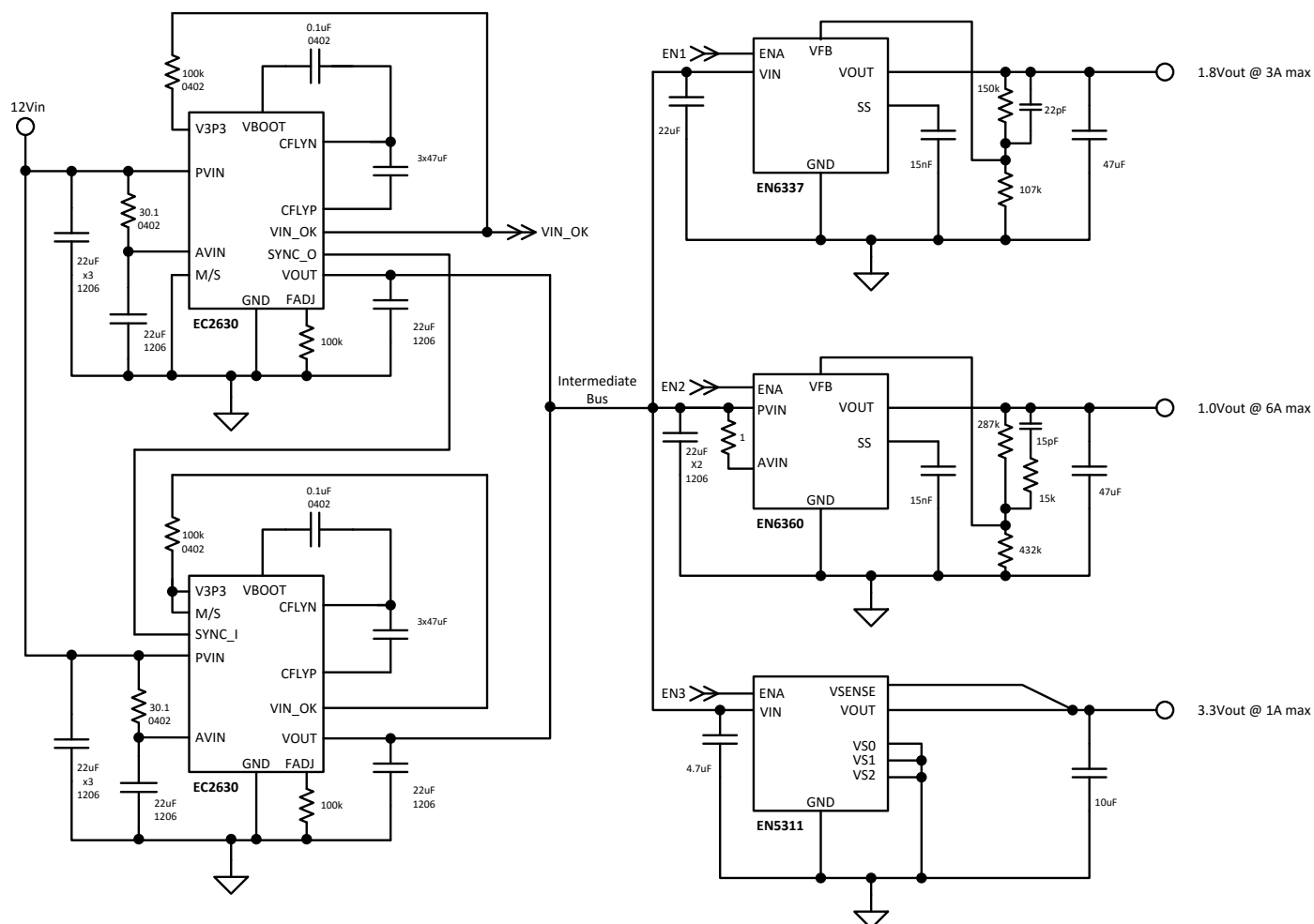


**Figure 5.** EC2630 connected to a 12V input supply and supplying 3 point-of-load Altera Enpirion DC-DC switchers

Figure 5 shows a typical application where the EC2630 is powering three downstream Altera Enpirion point-of-load (POL) converters. The EC2630 VIN\_OK signal, along with a sequencer if necessary, may be used to control the ENABLE pins of the downstream devices based on the application's sequencing requirements. The sequencing has to ensure that the intermediate bus voltage is fully available before the PoL converters start switching. Similarly, ensure that the downstream converters are disabled and there is no load on the bus converter's output before the bus converter passes through its UVLO region (specified in the Electrical Characteristics table) when turning off. Failure to follow the sequencing requirement might result in improper operation during start-up and/or shut-down. In addition, it is required to use only Altera's Enpirion PoL converters rated for up to 6.6V input voltage operation as downstream devices.

**NOTE:** The V3P3 supply is meant to power only internal circuitry, apart from a pull-up resistor to VIN\_OK. Altera recommends a 100kΩ pull-up resistor to V3P3 for most applications. Do not connect multiple pull-ups to the V3P3 pin.

# Application Schematic



**Figure 6.** Parallel operation with two EC2630 devices

Figure 6 shows parallel operation of two EC2630 devices. The Master and Slave operate at a synchronized clock frequency, provided by the master through its SYNC\_O pin. For parallel operation, no more than four parallel devices are recommended to ensure there are no significant voltage drops between the input supply and any of the paralleled devices. Typical current sharing during parallel operation is shown in the typical characteristics section.

Engineering Schematic

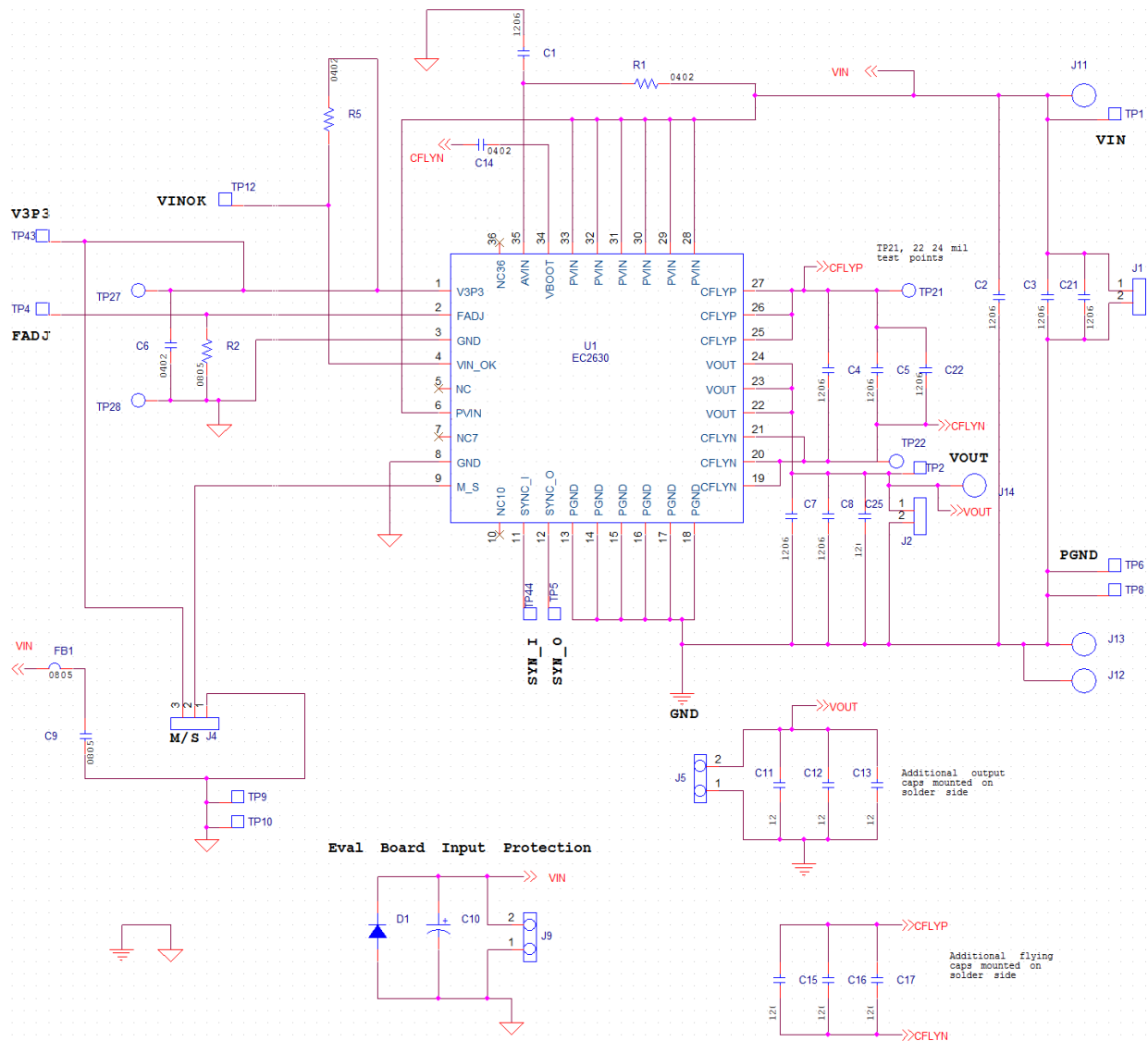
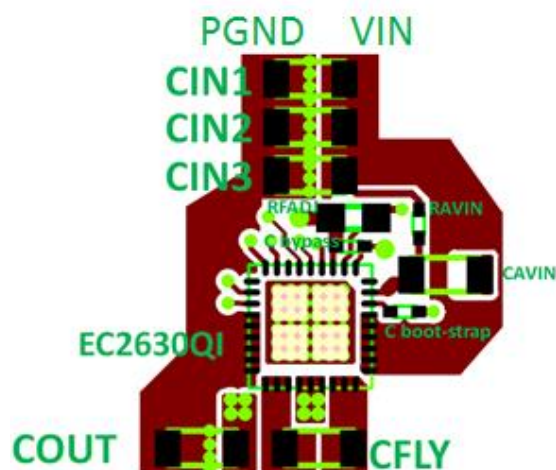


Figure 7. Engineering Schematic with Engineering Notes

## Layout Recommendations



**Figure 8.** Top Layout with Critical Components Only (Top View). See Figure 7 for corresponding schematic

*This layout only shows the critical components and top layer traces for minimum footprint. Alternate circuit configurations & other low-power pins need to be connected and routed according to customer application. Please see the Gerber files at [www.altera.com/enpirion](http://www.altera.com/enpirion) for details on all layers.*

**Recommendation 1:** Input and output filter capacitors should be placed on the same side of the PCB, and as close to the EC2630QI package as possible. They should be connected to the device with very short and wide traces. Do not use thermal reliefs or spokes when connecting the capacitor pads to the respective nodes. The +V and GND traces between the capacitors and the EC2630QI should be as close to each other as possible so that the gap between the two nodes is minimized, even under the capacitors.

**Recommendation 2:** The system ground plane should be the first layer immediately below the surface layer. This ground plane should be continuous and un-interrupted below the converter and the input/output capacitors.

**Recommendation 3:** The thermal pad underneath the component must be connected to the system ground plane through as many vias as possible. The drill diameter of the vias should be 0.33mm, and the vias must have at least 1 oz. copper plating on the inside wall, making the finished hole size around 0.20-0.26mm. Do not use thermal reliefs or spokes to connect the vias to the ground plane. This connection provides the path for heat dissipation from the converter.

**Recommendation 4:** Multiple small vias (the same size as the thermal vias discussed in recommendation 4) should be used to connect ground terminal of the input capacitor and output capacitors to the system ground plane. It is preferred to put these vias along the edge of the GND copper closest to the +V copper. These vias connect the input/output filter capacitors to the GND plane, and help reduce parasitic inductances in the input and output current loops.

**Recommendation 5:** AVIN is the power supply for the small-signal control circuits. It should be connected to the input voltage at a quiet point. In Figure this connection is made at the input capacitor.

**Recommendation 6:** Follow all the layout recommendations as close as possible to optimize performance. Not following layout recommendations can complicate designs and create anomalies different than the expected operation of the product.

Package and Mechanical

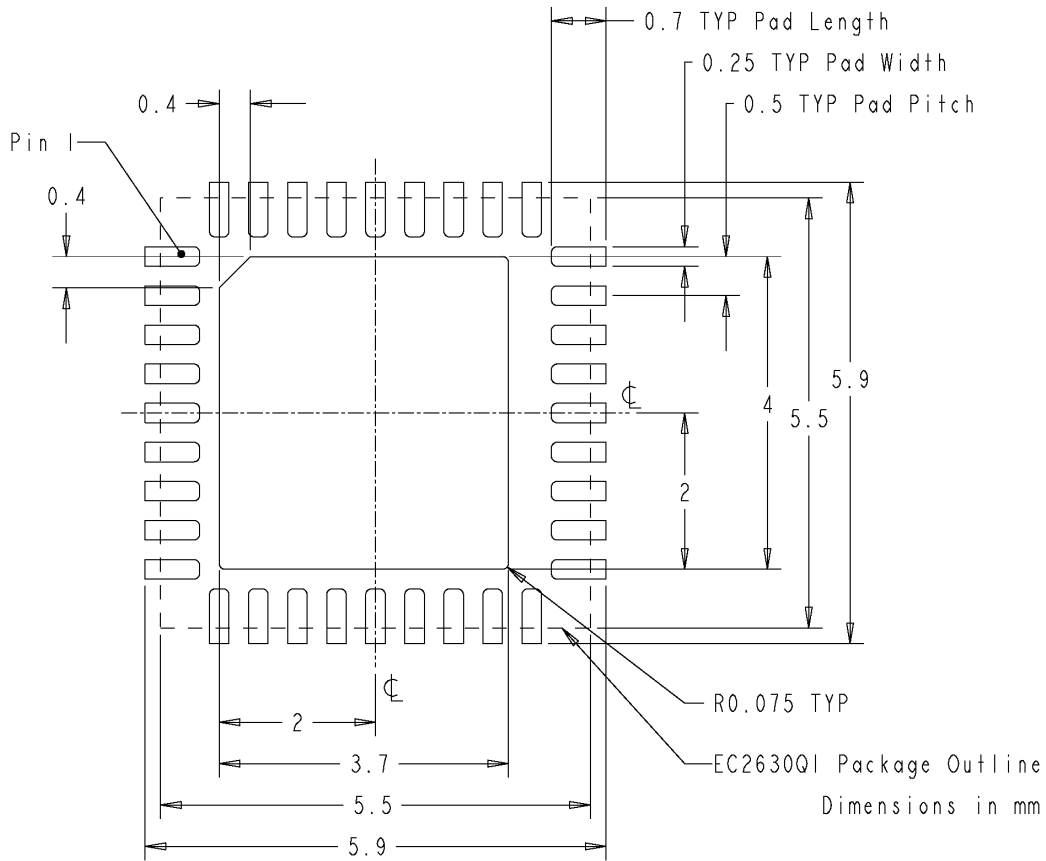
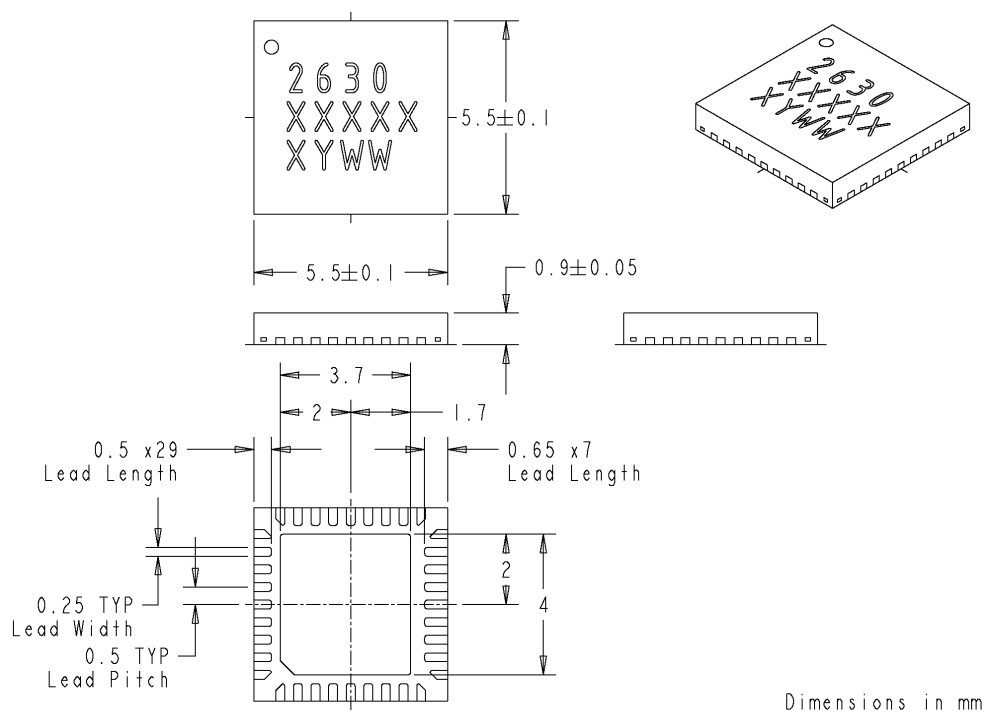


Figure 9. Recommended PCB footprint

## Mechanical Information



**Figure 10.** EC2630QI Package Dimensions

**Packing and Marking Information:** [www.altera.com/support/reliability/packing/rel-packing-and-marking.html](http://www.altera.com/support/reliability/packing/rel-packing-and-marking.html)



## Revision History

Rev	Date	Change(s)
A	July 2011	<ul style="list-style-type: none"> <li>• Introductory production datasheet</li> </ul>
B	Sep 2013	<ul style="list-style-type: none"> <li>• Formatting changes</li> </ul>
C	Sep 2016	<ul style="list-style-type: none"> <li>• Added solution size</li> <li>• Modified description of SYNC_O pin (removed frequency scaling)</li> <li>• Modified description of VBOOT pin (added Cboot recommendation)</li> <li>• VOUT_OK pin changed to NC. VIN_OK is used for sequencing downstream parts</li> <li>• ENABLE pin changed to PVIN (ensures part is always enabled when powered)</li> <li>• VIN range changed to 10V - 13.2V from 8V - 13.2V with typ at 12.</li> <li>• Added VIN slew rate recommendation</li> <li>• Added VOUT min and max limits (as a percentage of Vin)</li> <li>• Added data on VIN_OK threshold limits</li> <li>• Added more characteristic curves (Vout vs Iout at various Vin, ripple, transients, parallel current share, etc)</li> <li>• Removed discussion on OCP</li> <li>• Modified discussion on Frequency sync.</li> <li>• Restricted operating frequency to 115kHz</li> <li>• Modified application diagram to remove ENABLE, and modified ENABLE connections of downstream devices</li> <li>• Added requirement that the device must be unloaded during startup and shutdown.</li> <li>• Added VIN_OK pull-up resistor recommendation</li> <li>• Added application schematic and note on parallel operation</li> <li>• Added note on sequencing requirements</li> <li>• Added requirements for minimum and maximum output capacitance.</li> <li>• Added note to say that only Enpirion PowerSoCs should be used for downstream devices and only other EC2630QIs should be used as parallel devices.</li> <li>• Removed external circuitry recommendations for OCP</li> <li>• Removed note to contact applications for support</li> <li>• Added "Recommended Operating Conditions" section</li> <li>• Overall formatting changes to the document</li> </ul>

## Contact Information

Altera Corporation  
 101 Innovation Drive  
 San Jose, CA 95134  
 Phone: 408-544-7000  
[www.altera.com](http://www.altera.com)

© 2016 Altera Corporation—Confidential. All rights reserved. ALTERA, ARRIA, CYCLONE, ENPIRION, HARDCOPY, MAX, MEGACORE, NIOS, QUARTUS and STRATIX words and logos are trademarks of Altera Corporation and registered in the U.S. Patent and Trademark Office and in other countries. All other words and logos identified as trademarks or service marks are the property of their respective holders as described at [www.altera.com/common/legal.html](http://www.altera.com/common/legal.html). Altera warrants performance of its semiconductor products to current specifications in accordance with Altera's standard warranty, but reserves the right to make changes to any products and services at any time without notice. Altera assumes no responsibility or liability arising out of the application or use of any information, product, or service described herein except as expressly agreed to in writing by Altera. Altera customers are advised to obtain the latest version of device specifications before relying on any published information and before placing orders for products or services.