

PART NAME: KNOB

SCALE: 1:1

DATE: 1/17/13

DR. BY: JAM



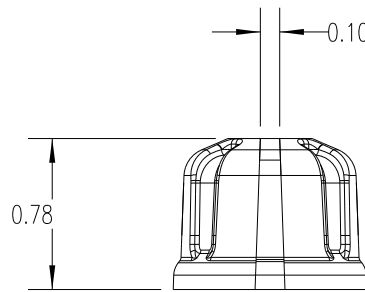
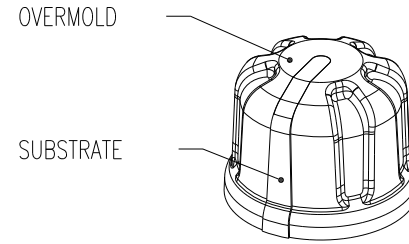
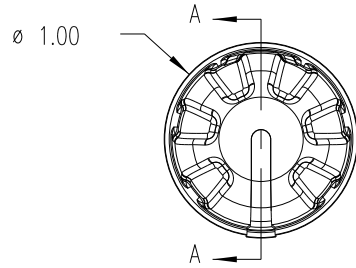
DESIGNERS & MANUFACTURERS  
OF KNOBS, HANDLES, CAPS &  
CUSTOM PLASTIC COMPONENTS

P/N 1234

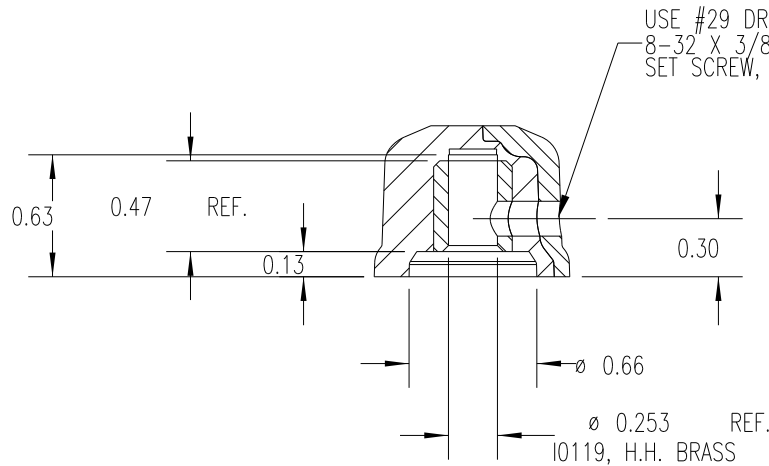
BASE PART 1234-01

SET SCREW 10163

THIS DRAWING IS THE PROPERTY OF DAVIES MOLDING COMPANY, IS SUBMITTED SOLELY AS A DESIGN OR ENGINEERING PROJECT.  
WE ACCEPT NO RESPONSIBILITY WHATSOEVER FOR THE PRACTICAL APPLICATION OF THE PIECES MADE TO THIS DESIGN.



REF.



USE #29 DRILL (Ø 0.1360), 8-32 TAP,  
8-32 X 3/8 CUP POINT, SOCKET,  
SET SCREW, 10163

SECTION A-A

MATERIAL: SUBSTRATE: POLYPROPYLENE (CLD)  
COLOR: WHITE (PC23083)

MATERIAL: OVERMOLD: TPE (TPE3)  
COLOR: BLACK (PC-301)

TOLERANCES: UNLESS OTHERWISE SPECIFIED	DO NOT SCALE DRAWING			
DECIMALS: X.XXX ± .005 X.XX ± .015	MM: X.XX ± 0.15MM X.X ± 0.4MM	A	ADDED BASE PART	JAM 5/21/13
FRACTIONS ± 1/64	ANG. ± 1°	CHANGES		