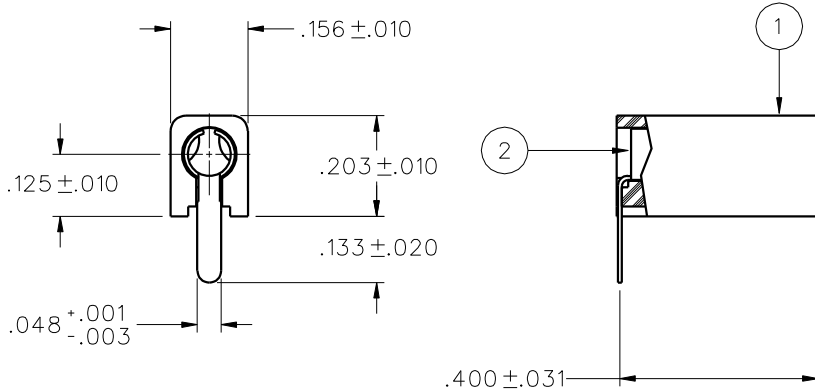
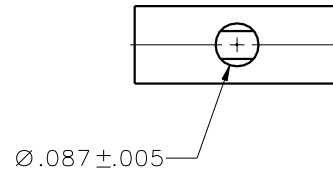
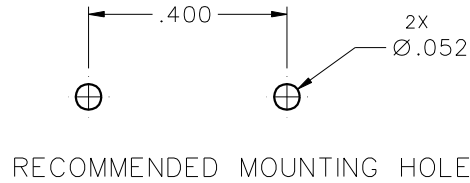


PART NUMBER	ITEM ①		ITEM ②
	BODY	COLOR	CONTACT
105-0751-150	NYLON	WHITE	COPPER ALLOY 688
105-0752-150		RED	GOLD PL .00001 MIN OVER
105-0753-150		BLACK	NICKEL PL .00005 MIN OVER
105-0754-150		GREEN	COPPER PL .00001 MIN
105-0755-150			
105-0756-150		ORANGE	
105-0757-150		YELLOW	
105-0758-150		BROWN	
105-0759-150			
105-0760-150		BLUE	
105-0761-150			
105-0762-150		VIOLET	
105-0763-150		GRAY	
105-0764-150			
105-0765-150			
105-0766-150			
105-0767-150			
105-0768-150			
105-0769-150			
105-0770-150			



NOTES:

SPECIFICATIONS:

ELECTRICAL:

CURRENT RATING: 5 AMPS DC MINIMUM
 DIELECTRIC WITHSTANDING VOLTAGE: 2100 VRMS MIN AT SEA LEVEL
 RECOMMENDED WORKING VOLTAGE: 1500 VRMS MAX AT SEA LEVEL
 350 VRMS MAX AT 50,000 FEET
 INSULATION RESISTANCE: 5000 MEGOHMS MIN
 CONTACT RESISTANCE: 5 MILLIOHMS MAXIMUM
 CAPACITANCE: 1 PF NOMINAL

MECHANICAL:

INSERTION/WITHDRAWAL FORCE: 0.5 - 5.0 POUNDS
 CONTACT RETENTION IN INSULATOR FORCE: NOT APPLICABLE
 CONTACT RETENTION IN INSULATOR TORQUE: NOT APPLICABLE
 INSULATOR RETENTION IN .062 PANEL FORCE: NOT APPLICABLE
 INSULATOR RETENTION IN SLEEVE FORCE: NOT APPLICABLE
 INSULATOR RETENTION IN PANEL TORQUE: NOT APPLICABLE
 PLASTIC MOUNTING THREAD STRIPPING TORQUE: NOT APPLICABLE
 RESISTANCE TO TEST PROBE DAMAGE TORQUE: 2 IN LB MIN
 MATING TIP PLUG DIAMETER: .080
 DURABILITY: 500 CYCLES MINIMUM

ENVIRONMENTAL:

(MEETS OR EXCEEDS THE APPLICABLE PARAGRAPH OF MIL-PRF-39024)
 OPERATING TEMPERATURE: -55 DEG C TO 75 DEG C
 TEMPERATURE RISE AT RATED CURRENT: 10 DEG C MAXIMUM
 CORROSION: MIL-STD-1344, METHOD 1001, CONDITION B
 SHOCK: MIL-STD-1344, METHOD 2004, CONDITION G
 VIBRATION: MIL-STD-1344, METHOD 2005, CONDITION I
 HUMIDITY: MIL-STD-1344, METHOD 1002, CONDITION B

DRAWING NO.
 B - 105-0751/0770-150

0 REVISIONS

REVISED AND REDRAWN. DRAWING WAS "C" SIZE 105-0751/0770-001/501 DATED 3-29-88. SPLIT INTO 8 SEPERATE DWGS. CREATED SHEET 2.

 * REVISION NUMBER FOLLOWED BY AN ALPHA *
 * CHARACTER INDICATES DRAWING CLARIFI- *
 * CATION OR PART NUMBER ADDITION ONLY. *


13c 2-10-03 R H J B ECN 48700

CUSTOMER DRAWING

THIS DRAWING TO BE INTERPRETED PER ANSII 14.5M - 1982

"μ STATION"

COMPANY CONFIDENTIAL

TOLERANCE UNLESS OTHERWISE SPECIFIED		DRAWN BY RJB	DATE 12-19-02	 Cinch Connectivity Solutions P.O. Box 1732 Waseca, MN 56093 1-800-247-8256
DECIMALS .XX	mm	CHECKED BY	DATE	
.XXX		APPROVED BY RJB	DATE 2-12-03	TITLE TIP JACK, STANDARD HORIZONTAL PC MOUNT FOR .080 DIA PLUG
MATL		APPROVED BY	DATE	CODE NO.
FINISH		RELEASE DATE		DRAWING NO. B - 105-0751/0770-150
		SCALE 4:1	U/M INCH	SHEET 2 OF 2