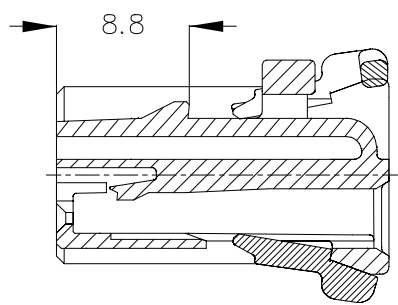
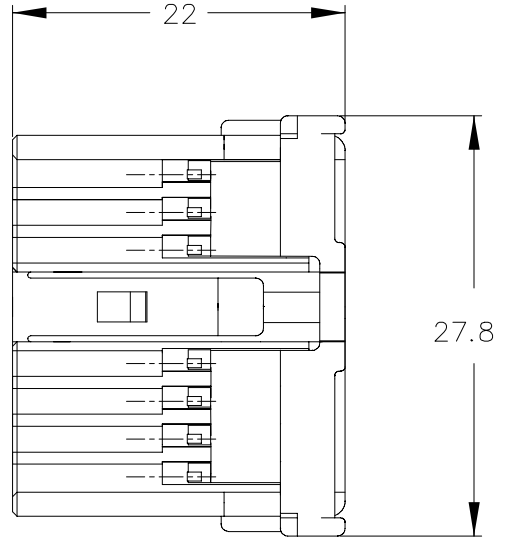
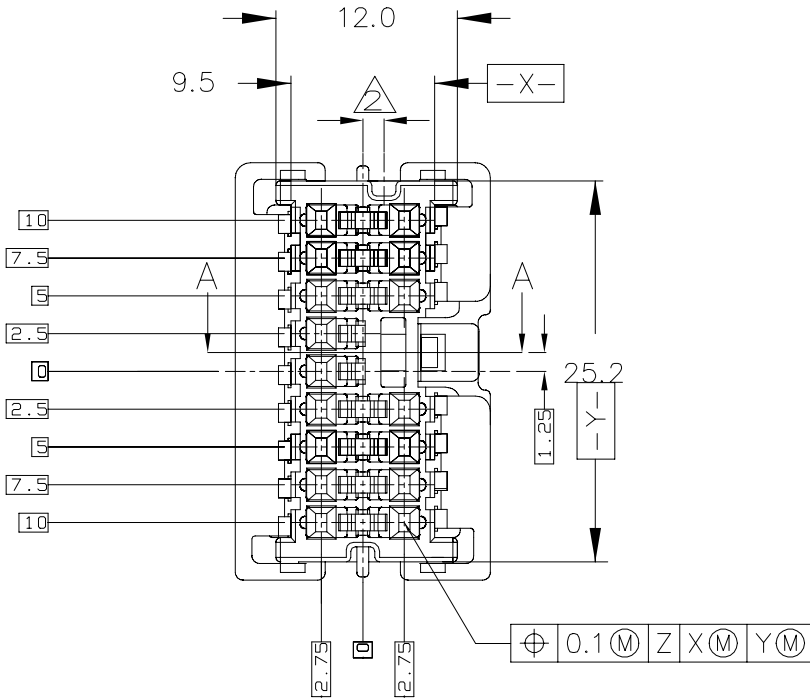
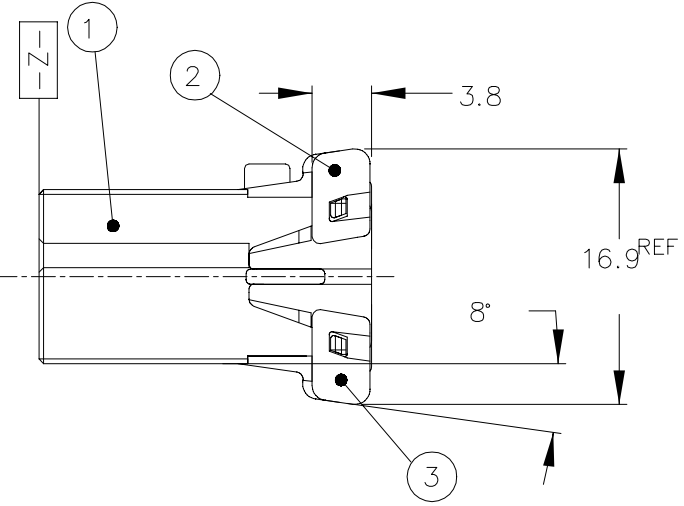


REVISIONS					
P	LTR	DESCRIPTION	DATE	DWN	APVD
B1		REVISED ECR-20-006447	17JUL2020	VI	SPB

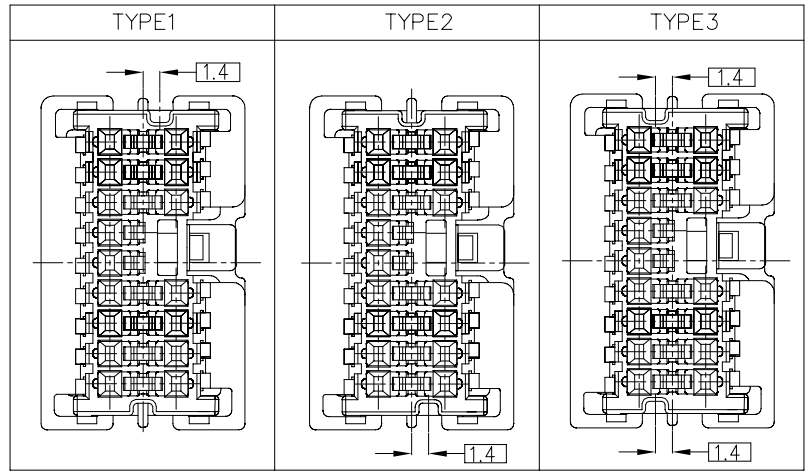
D
C
B
A



SECTION A-A



< KEY CODE >



TOLERANCES UNLESS OTHERWISE SPECIFIED:
 0 <XX<10 ± 0.2
 10<XX<30 ± 0.25
 30<XX ± 0.3
 ANGLES ± 3°

- NOTES:
 1. PLATE MUST BE COMPLETELY PRE-ASSEMBLED
 △ KEY CODE : REFER TO THE TABLE
 3. APPLICABLE CONTACT P/N: 316836-1, 316838-1
 4. THE MATING HSG P/N ; 936497
- 주 기
 1. PLATE는 그림과 같이 1차 locking 상태로 공급되어짐.
 △ KEY CODE : TABLE 참조
 3. 적용 TML P/N: 316836-1, 316838-1
 4. 상대하우징 P/N ; 936497

OBSOLETE

ITEM NO	PARTS NO	MATERIAL	NAME	FINISH/COLOR	KEY CODE	Q'TY of ASS'Y								
						936471-8	936471-7	936471-6	936471-5	936471-4	936471-3	936471-2	936471-1	
③	936491-2		16Pos.DBL LOCK PLATE(A)	BLACK	-	1	1	1	1	1	1	1	1	1
②	936492-2		16Pos.DBL LOCK PLATE(B)	BLACK	-	1	1	1	1	1	1	1	1	1
①	936472-8			BLUE	1	1	-	-	-	-	-	-	-	-
	936472-7			GREEN	1	-	1	-	-	-	-	-	-	-
	936472-6			RED	1	-	-	1	-	-	-	-	-	-
	936472-5			YELLOW	1	-	-	-	1	-	-	-	-	-
	936472-4			BROWN	2 △	-	-	-	-	1	-	-	-	-
	936472-3			GRAY	3 △	-	-	-	-	-	1	-	-	-
	936472-2			BLACK	1	-	-	-	-	-	-	1	-	-
936472-1	PBT		16Pos.PLUG HSG	NATURAL	1	-	-	-	-	-	-	-	1	

THIS DRAWING IS A CONTROLLED DOCUMENT.

DIMENSIONS: mm	TOLERANCES UNLESS OTHERWISE SPECIFIED: 0 PLC ± - 1 PLC ± - 2 PLC ± - 3 PLC ± - 4 PLC ± - ANGLES ± -	DWN IS WOO CHK BM JANG APVD JK SONG PRODUCT SPEC APPLICATION SPEC WEIGHT 0	TE Connectivity NAME 16Pos. PLUG HOUSING ASS'Y 040 III MLC CONN. SIZE CAGE CODE DRAWING NO A3 00779 C=936471 RESTRICTED TO
MATERIAL SEE NOTE	FINISH -	CUSTOMER DRAWING	SCALE 1:1 SHEET 1 of 1 REV B1