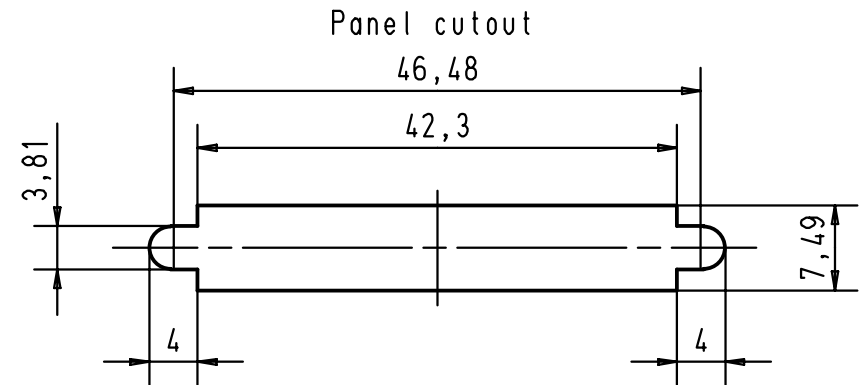
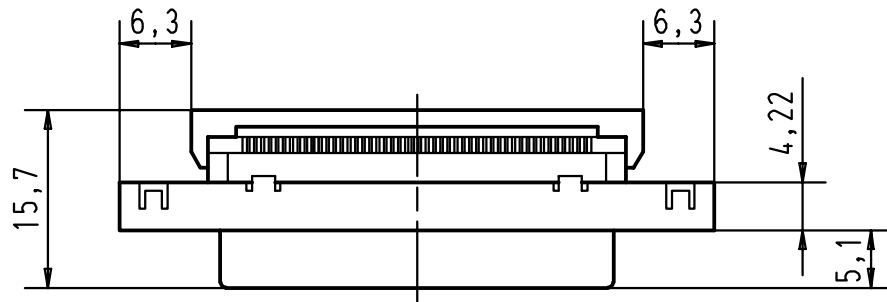
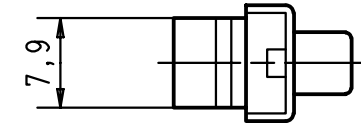
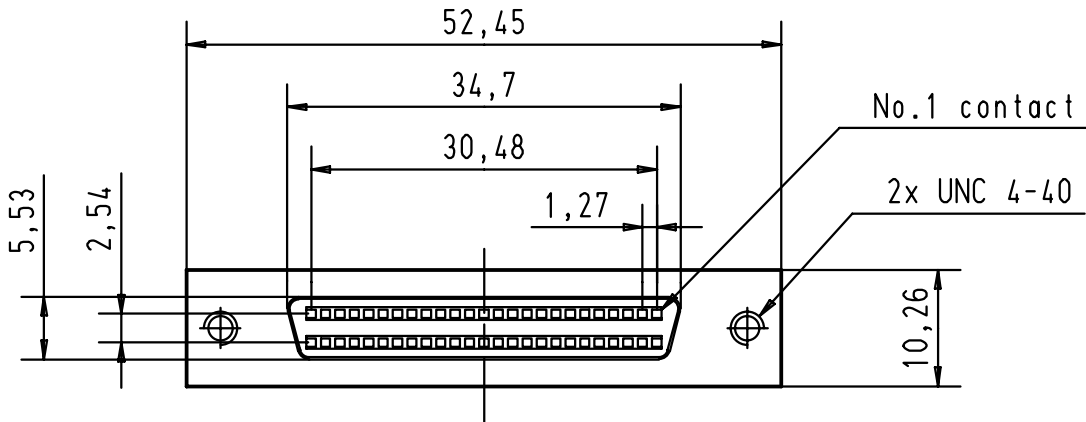


Alle Rechte vorbehalten/ All rights reserved



				Dat.	Name		har.mik® I/O pin/socket	Maßstab/ Scale 1,5:1		
			Detail.	21 JUN 01	S G				All Dim. in mm Orig. Size DIN A 4	IDC panel 50 poles female connector with 4-40 UNC threads
			Insp.							
			Stand.							
			29686	21 JUN 01	S G		TB 60 04 050 5344	Blatt/ Page 1 1		
			Mod.	Dat.	Name				HARTING EURL F-95972 Paris	Sub.