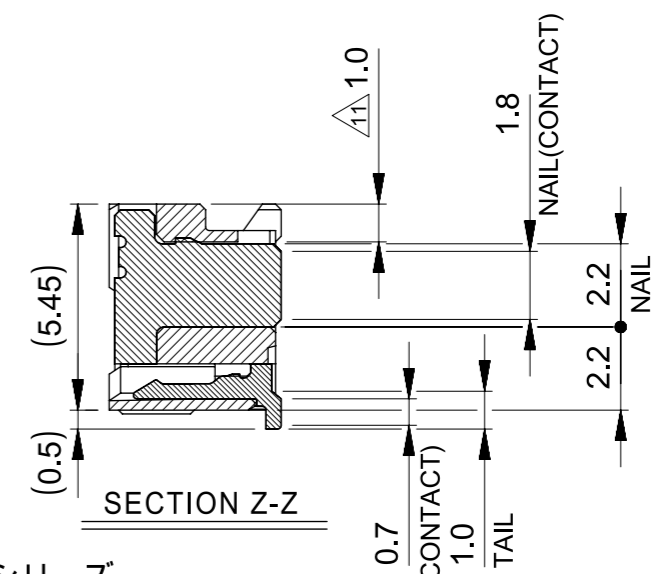
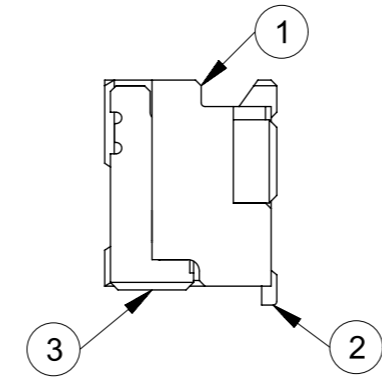
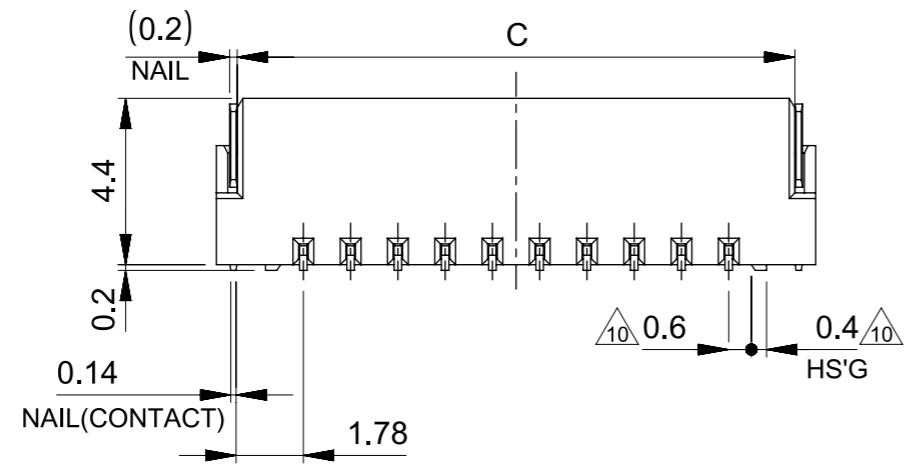
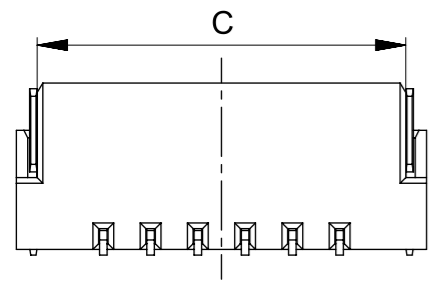
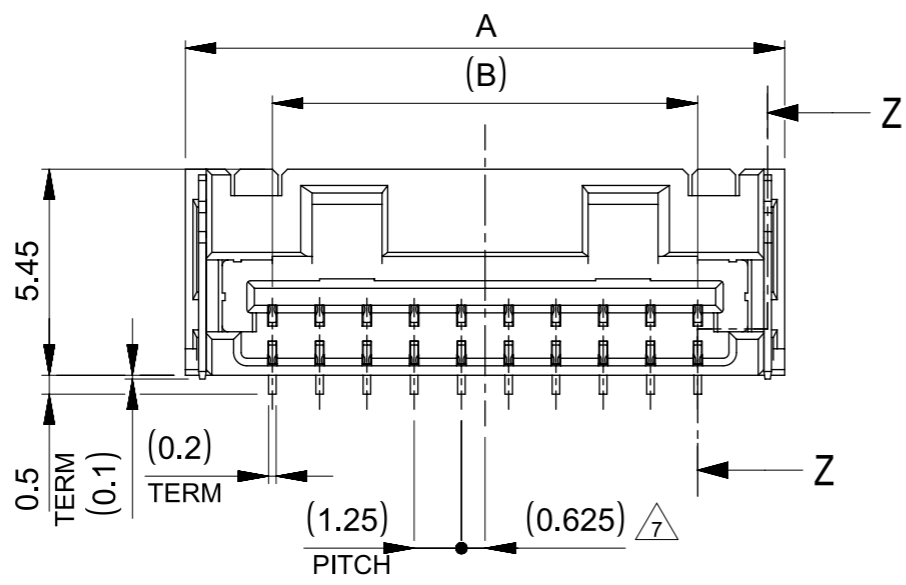
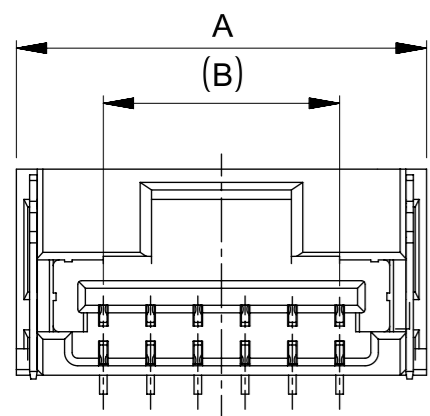
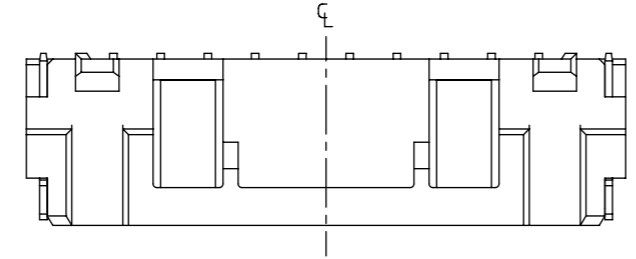
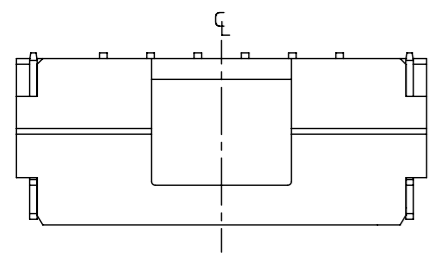
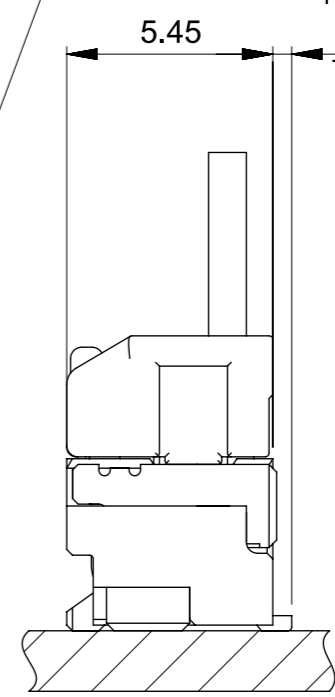
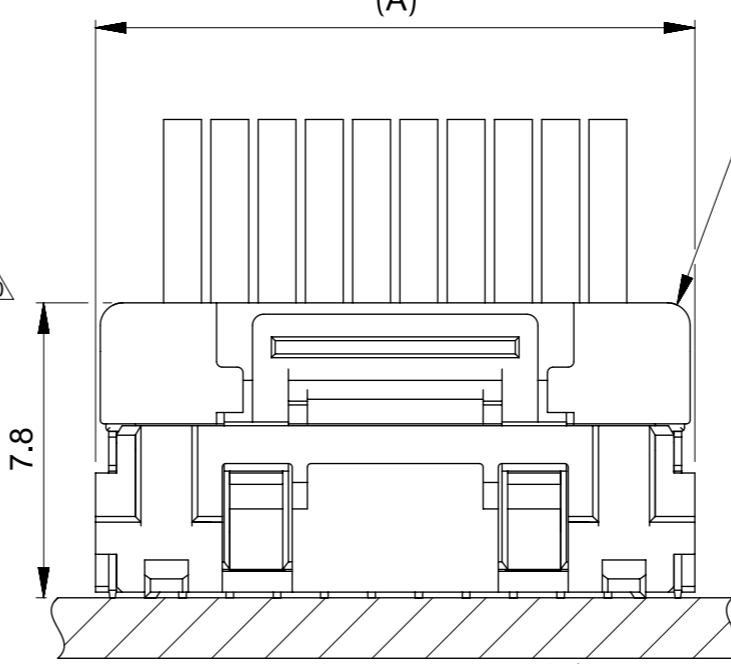


FORM OF 2-7 CIRCUIT

FORM OF 8-15 CIRCUIT



嵌合相手：502380シリーズ
MATE WITH:502380 SERIES



21	17.5	22.1	15
19.75	16.25	20.85	14
18.5	15	19.6	13
17.25	13.75	18.35	12
16	12.5	17.1	11
14.75	11.25	15.85	10
13.5	10	14.6	9
12.25	8.75	13.35	8
11	7.5	12.1	7
9.75	6.25	10.85	6
8.5	5	9.6	5
7.25	3.75	8.35	4
6	2.5	7.1	3
4.75	1.25	5.85	2
C	B	A	極数 CIRCUIT SIZE

TABLE 1

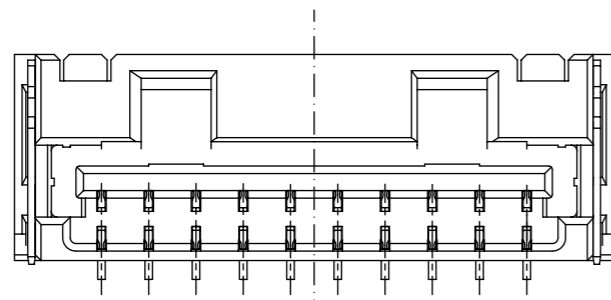
番号 NO.	部品 PART	材質 MATERIAL
①	ハウジング HOUSING	ポリアミド(PA) UL94V-0 色 : ナチュラル POLYAMIDE(PA) UL94V-0 COLOR : NATURAL
②	ターミナル TERMINAL	銅合金 COPPER ALLOY
		金めっき : 0.1 micro-meter MIN. GOLD PLATING ニッケルめっき(下地) : 1.0 micro-meter MIN. NICKEL (UNDER PLATING)
③	ネイル NAIL	銅合金 COPPER ALLOY
		錫めっき : 1.0 micro-meter MIN. MATTE TIN PLATING ニッケルめっき(下地) : 1.0 micro-meter MIN. NICKEL (UNDER PLATING)

DOCUMENT STATUS	P1	RELEASE DATE	2018/09/14	07:01:27
-----------------	----	--------------	------------	----------

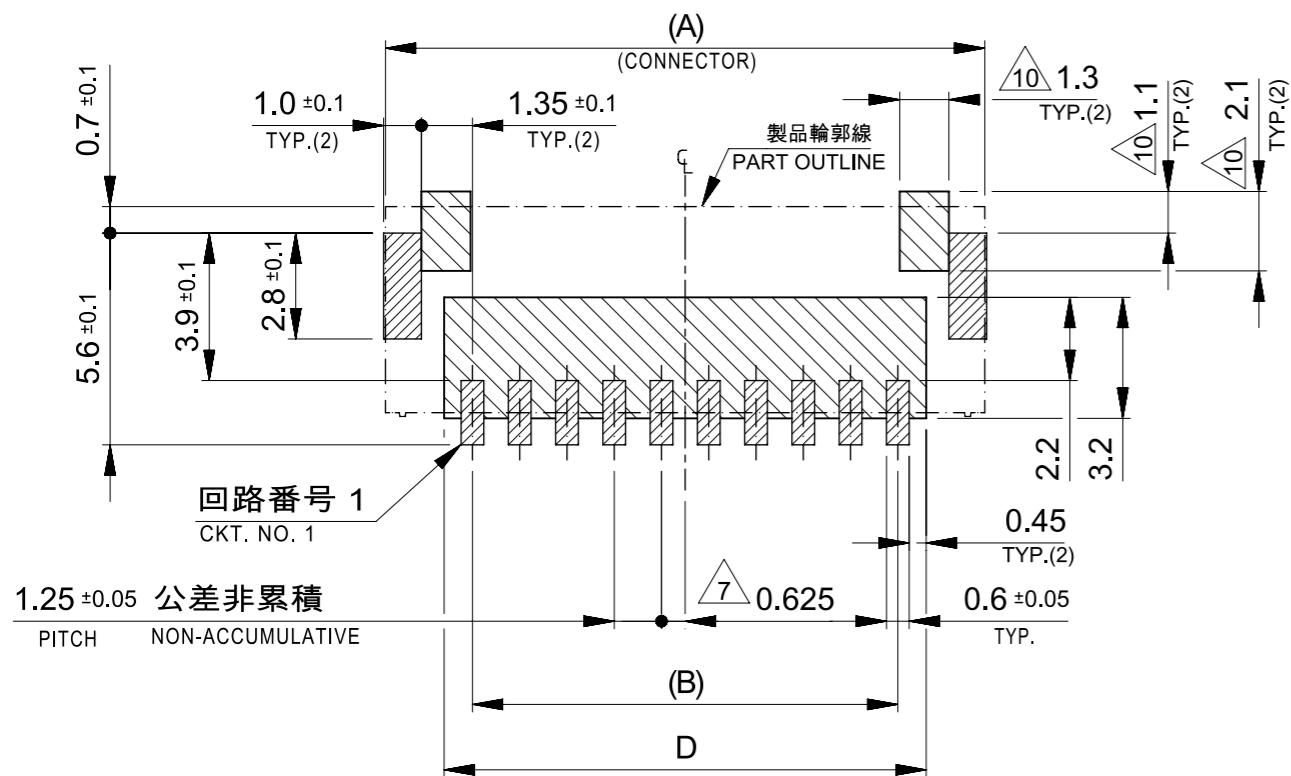
THIS DRAWING CONTAINS INFORMATION THAT IS PROPRIETARY TO MOLEX ELECTRONIC TECHNOLOGIES, LLC AND SHOULD NOT BE USED WITHOUT WRITTEN PERMISSION

DIMENSION UNITS	SCALE	CURRENT REV DESC: REDRAWN AND REVISED
mm	NTS	
GENERAL TOLERANCES (UNLESS SPECIFIED)		
ANGULAR TOL	± 3.0 °	
4 PLACES	± 0.2	EC NO: 604371
3 PLACES	± 0.2	DRWN: AISHIKAWA 2018/09/11
2 PLACES	± 0.2	CHK'D: AIDA 2018/09/14
1 PLACE	± 0.2	APPR: TKANEKO 2018/09/14
0 PLACES	± 0.2	INITIAL REVISION:
		DRWN: AISHIKAWA 2018/09/11
		APPR: TKANEKO 2018/09/14
DRAFT WHERE APPLICABLE MUST REMAIN WITHIN DIMENSIONS	THIRD ANGLE PROJECTION	DRAWING
		A3-SIZE
	SERIES	502382
	MATERIAL NUMBER	SEE SHEET 4
	CUSTOMER	GENERAL
	DOCUMENT NUMBER	5023820000-SD
	DOC TYPE	PSD
	DOC PART	001
	REVISION	A
	SHEET NUMBER	1 OF 4

4 嵌合図
MATED CONNECTORS



製品レイアウト
PRODUCT LAYOUT



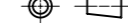
推奨基板レイアウト：実装面側
(参考：基板厚 1.6mm, メタルマスク厚さ 0.15mm, マスク開口率100%)
SUGGESTED PCB LAYOUT : COMPONENT SIDE
(REFERENCE: PCB THICKNESS 1.6mm, STENCIL THICKNESS 0.15mm, APERTURE RATIO 100%)

 :パターン禁止エリア
RESTRICTED AREA
NO PCB COMPONENTS ALLOWED

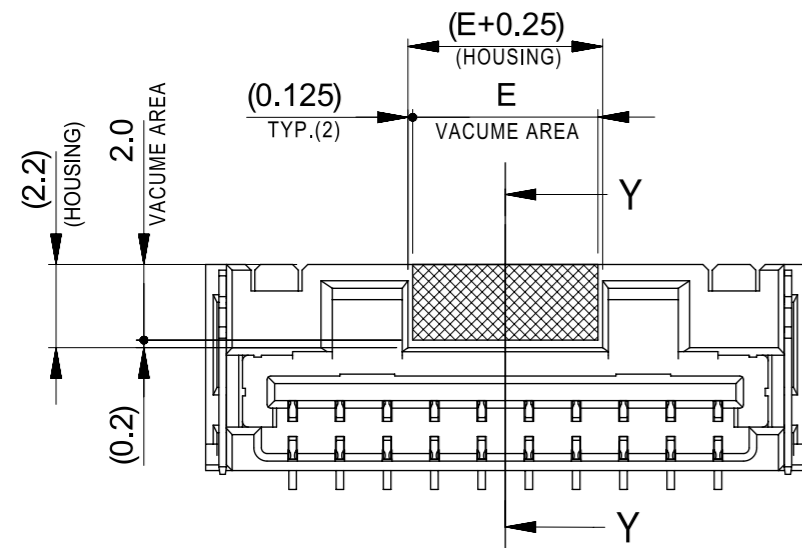
NOTE

1. 材料及び仕上げ(めっき仕様) : TABLE 1 参照
MATERIAL AND FINISHES : SEE TABLE 1
2. 製品仕様書 : PS-502382-002
PRODUCT SPECIFICATION:PS-502382-002
3. 梱包形態 : SHEET 4 参照
PACKAGING INFORMATION : SEE SHEET 4
4. 嵌合相手 : 502380 シリーズ
MATES WITH:502380 SERIES
5. アプリケーション仕様書(コネクタ取扱い説明書) : AS-502380-001(日本語版)/-002(英語版)
APPLICATION SPECIFICATION(CONNECTOR MANNUAL):AS-502380-001(JAPANESE)/-002(ENGLISH)
6. 端子テール部及びネイルの平坦度:0.1 MAX.
TAIL AND NAIL COPLANARITY TO BE 0.1 MAX.
7. 極数/2 = 偶数に適用
APPLY FOR CIRCUIT SIZE / 2 =EVEN
8. ネイルに錫めっきを使用している為、外観に摺動痕が付く場合があります。
THE WOUND OF FRICTION MIGHT ADHERE TO EXTERNALS
BECAUSE THE TIN PLATING IS USED FOR THE NAIL.
9. 本製品のプラスチック部に黒点・白点等が確認される場合や色合いが異なる場合がありますが、製品性能に影響はありません。
THERE IS NO INFLUENCE IN THE PRODUCT PERFORMANCE THOUGH THE BLACK AND WHITE SPOT ETC. MIGHT BE CONFIRMED TO THE PLASTIC PART OF THIS PRODUCT AND THE SHADE MIGHT BE DIFFERENT.
10. 8-15極のみ適用
APPLY TO 8-15 CIRCUIT SIZE

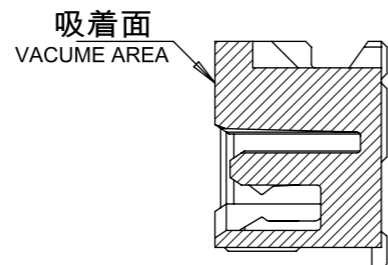
19	15
17.75	14
16.5	13
15.25	12
14	11
12.75	10
11.5	9
10.25	8
9	7
7.75	6
6.5	5
5.25	4
4	3
2.75	2
D	極数 CIRCUIT SIZE

THIS DRAWING CONTAINS INFORMATION THAT IS PROPRIETARY TO MOLEX ELECTRONIC TECHNOLOGIES, LLC AND SHOULD NOT BE USED WITHOUT WRITTEN PERMISSION									
DIMENSION UNITS	SCALE	CURRENT REV DESC: REDRAWN AND REVISED			molex				
mm	NTS								
GENERAL TOLERANCES (UNLESS SPECIFIED)		EC NO: 604371			CLIK-MATE 1.25 SINGLE ROW S/T TYPE GOLD PLATING				
ANGULAR TOL	± 3.0 °	DRWN: AISHIKAWA 2018/09/11							
4 PLACES	± 0.2	CHK'D: AIDA 2018/09/14			PRODUCT CUSTOMER DRAWING				
3 PLACES	± 0.2	APPR: TKANEKO 2018/09/14							
2 PLACES	± 0.2	INITIAL REVISION:			DOCUMENT NUMBER 5023820000-SD				
1 PLACE	± 0.2	DRWN: AISHIKAWA 2018/09/11							
0 PLACES	± 0.2	APPR: TKANEKO 2018/09/14			DOC TYPE PSD		DOC PART 001		REVISION A
DRAFT WHERE APPLICABLE MUST REMAIN WITHIN DIMENSIONS		THIRD ANGLE PROJECTION	DRAWING	SERIES	MATERIAL NUMBER	CUSTOMER		SHEET NUMBER	
			A3-SIZE	502382	SEE SHEET 4	GENERAL		2 OF 4	

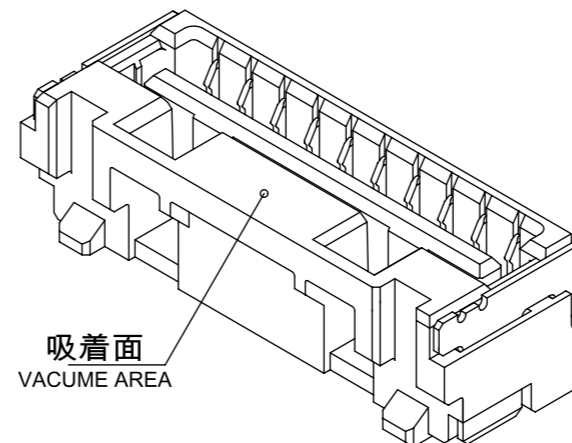
CASE OF 8-15CIRCUIT



吸着範囲
VACUME RANGE

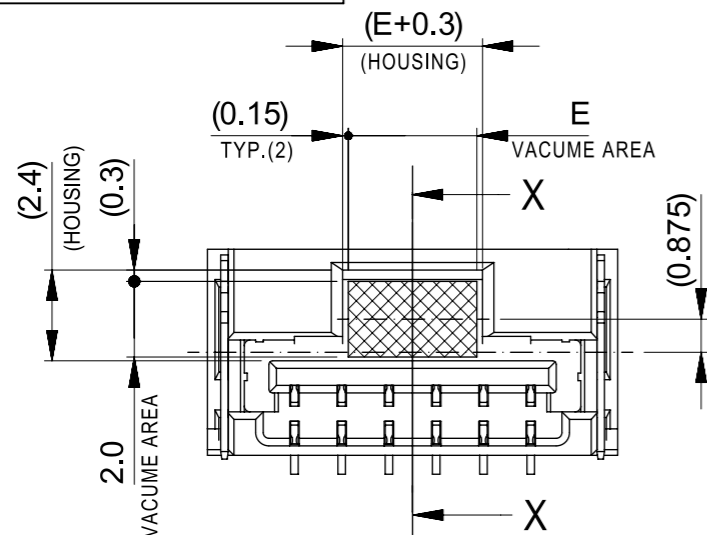


SECTION Y-Y

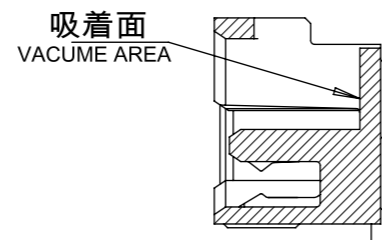


吸着面
VACUME AREA

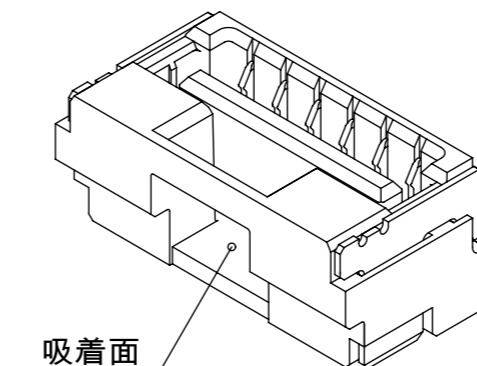
CASE OF 2-7CIRCUIT



吸着範囲
VACUME RANGE



SECTION X-X

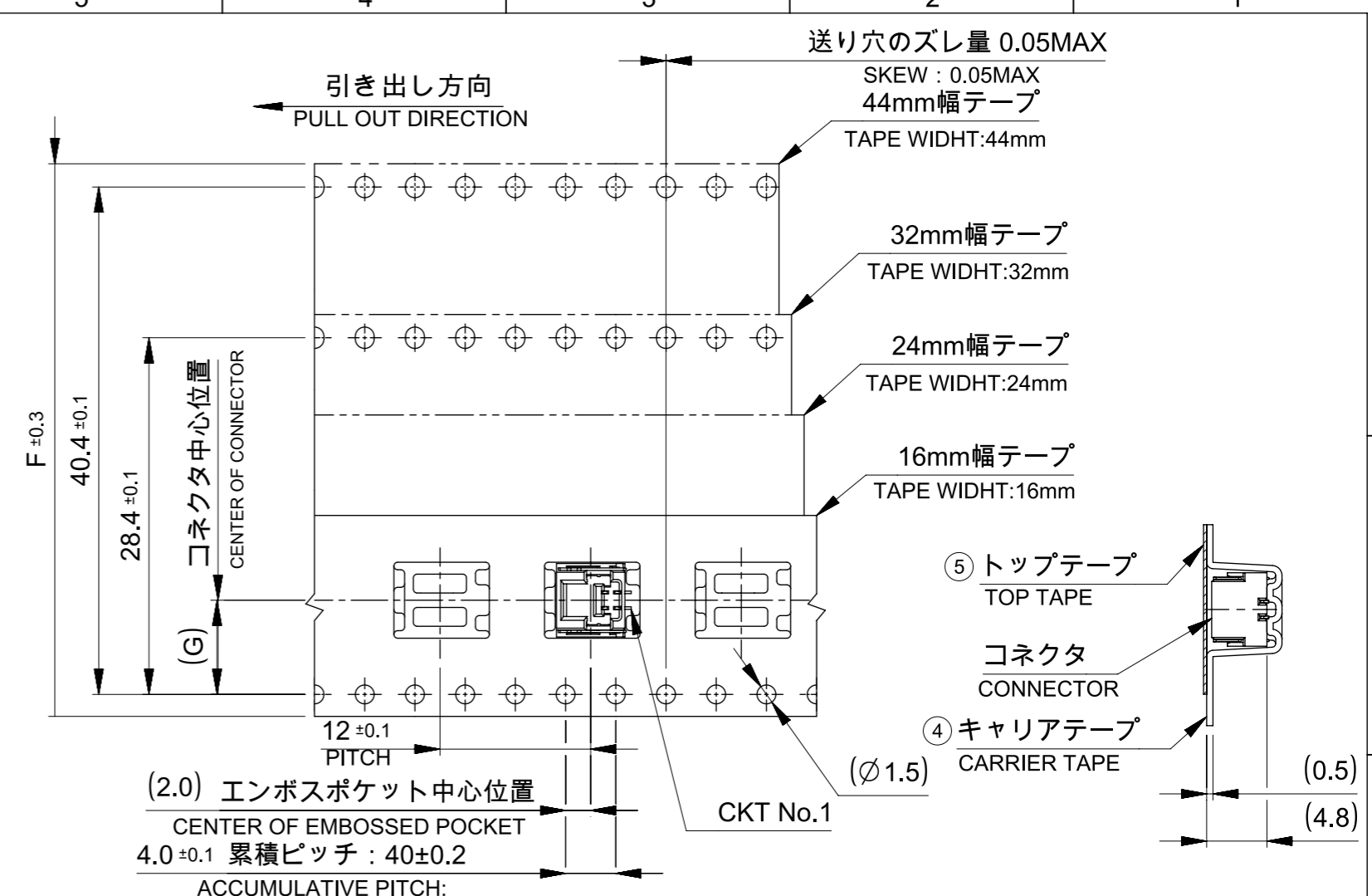
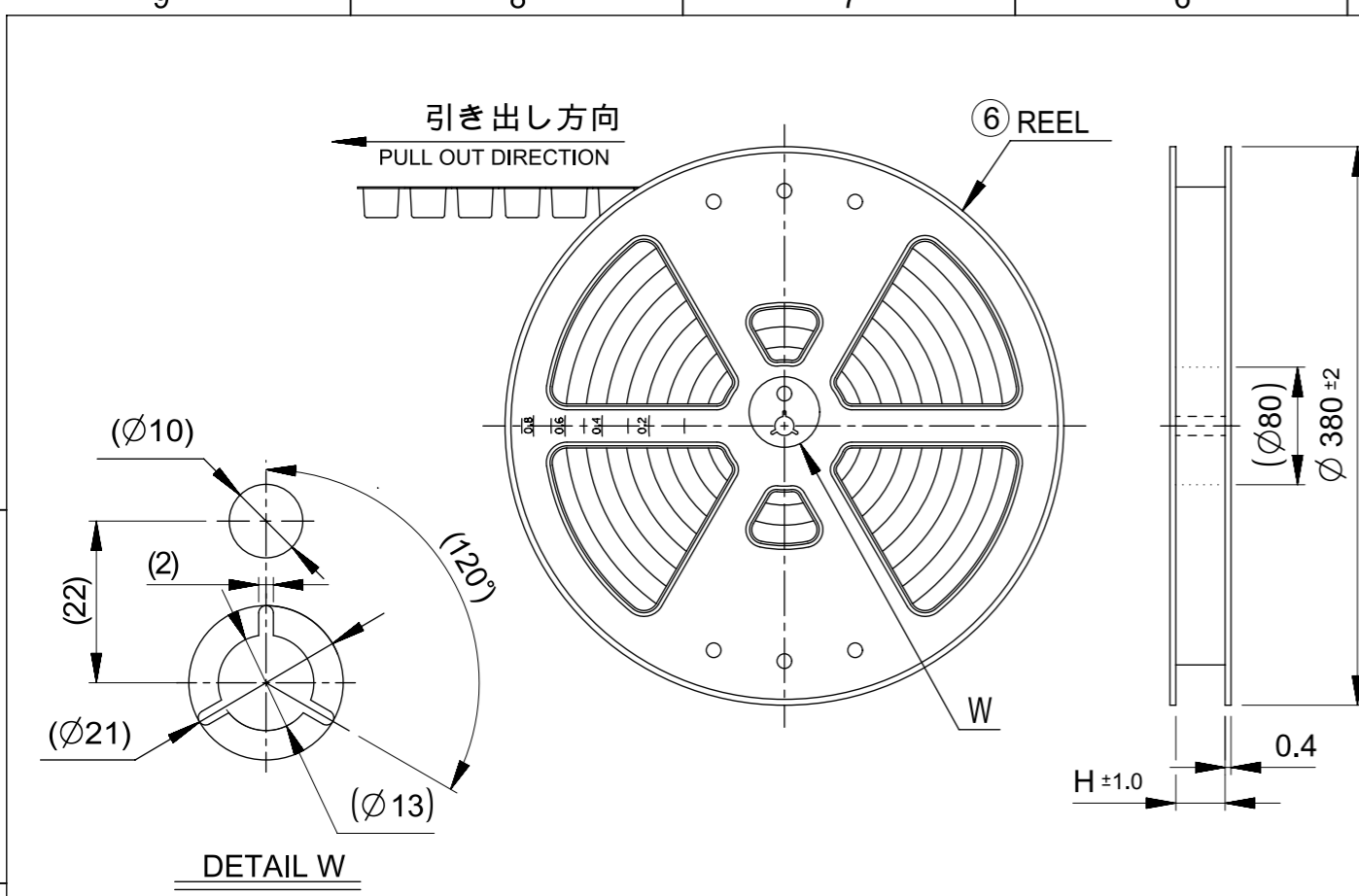


吸着面
VACUME AREA

11.15	15
9.9	14
8.65	13
7.4	12
6.15	11
4.9	10
3.65	9
2.4	8
3.4	7
	6
	5
	4
2.7	3
2.3	2
E	極数 CIRCUIT SIZE

THIS DRAWING CONTAINS INFORMATION THAT IS PROPRIETARY TO MOLEX ELECTRONIC TECHNOLOGIES, LLC AND SHOULD NOT BE USED WITHOUT WRITTEN PERMISSION

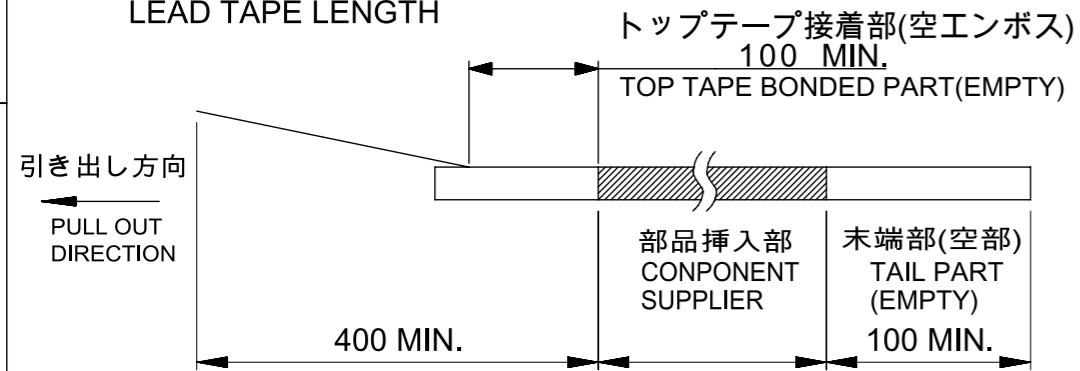
DIMENSION UNITS mm	SCALE NTS	CURRENT REV DESC: REDRAWN AND REVISED	molex		
GENERAL TOLERANCES (UNLESS SPECIFIED)		EC NO: 604371			
ANGULAR TOL	± 3.0 °	DRWN: AISHIKAWA 2018/09/11	PRODUCT CUSTOMER DRAWING		
4 PLACES	± 0.2	CHK'D: AIDA 2018/09/14	DOCUMENT NUMBER		
3 PLACES	± 0.2	APPR: TKANEKO 2018/09/14	5023820000-SD		
2 PLACES	± 0.2	INITIAL REVISION:	DOC TYPE	DOC PART	REVISION
1 PLACE	± 0.2	DRWN: AISHIKAWA 2018/09/11	PSD	001	A
0 PLACES	± 0.2	APPR: TKANEKO 2018/09/14	SHEET NUMBER		
DRAFT WHERE APPLICABLE MUST REMAIN WITHIN DIMENSIONS	THIRD ANGLE PROJECTION	DRAWING	SERIES	MATERIAL NUMBER	CUSTOMER
		A3-SIZE	502382	SEE SHEET 4	GENERAL



NOTES

12. 梱包数量 : 1400個/リール
NUMBER OF CONNECTORS : 1400 PIECES/REEL

13. リードテープ長さ
LEAD TAPE LENGTH



14. トップテープの剥離強度はIEC60286-3に準拠。
TOP TAPE PEELING FORCE IS DEFINED BY IEC60286-3.

15. 本ドキュメントは、SD-502382-004,-005,-006を統合したものです。
形状に関する変更はありません。
THIS DOCUMENT IS A COMBINATION OF SD-502382-004,-005,-006.
THERE IS NO CHANGE ON THE SHAPE.

45.5	20.2	44 ± 0.3	502382 1571	15
			↑ 1471	14
33.5	14.2	32 ± 0.3	1371	13
			1271	12
			1171	11
			1071	10
			0971	9
25.5	11.5	24 ^{+0.3} _{-0.1}	0871	8
			0771	7
			0671	6
			0571	5
			0471	4
17.5	7.5	16 ^{+0.3} _{-0.1}	↓ 0371	3
			502382 0271	2
H	G	エンボステープ幅 F WIDTH OF TAPE	発注番号 ORDER No. PACKAGE : EMBOSSED REEL	極数 CIRCUIT SIZE

番号 NO.	部品 PART	材質 MATERIAL
④	キャリアテープ CARRIER TAPE	ポリスチレン(PS)、その他 POLYSTYRENE(PS), etc
⑤	トップテープ TOP TAPE	ポリエチレン(PE)、その他 POLYETHYLENE(PE), etc
⑥	リール REEL	ポリスチレン(PS) <リサイクル材を含む> POLYSTYRENE(PS) <RECYCLE MATERIAL CONTAINED>

THIS DRAWING CONTAINS INFORMATION THAT IS PROPRIETARY TO MOLEX ELECTRONIC TECHNOLOGIES, LLC AND SHOULD NOT BE USED WITHOUT WRITTEN PERMISSION

DIMENSION UNITS	SCALE	CURRENT REV DESC: REDRAWN AND REVISED	molex		
mm	NTS				
GENERAL TOLERANCES (UNLESS SPECIFIED)			CLIK-MATE 1.25 SINGLE ROW S/T TYPE GOLD PLATING		
ANGULAR TOL	± 3.0 °	EC NO: 604371	PRODUCT CUSTOMER DRAWING		
4 PLACES	± 0.2	DRWN: AISHIKAWA 2018/09/11	DOCUMENT NUMBER		
3 PLACES	± 0.2	CHK'D: AIDA 2018/09/14	DOC TYPE DOC PART REVISION		
2 PLACES	± 0.2	APPR: TKANEKO 2018/09/14	5023820000-SD PSD 001 A		
1 PLACE	± 0.2	INITIAL REVISION:	MATERIAL NUMBER CUSTOMER SHEET NUMBER		
0 PLACES	± 0.2	DRWN: AISHIKAWA 2018/09/11	SEE SHEET 4 GENERAL 4 OF 4		
DRAFT WHERE APPLICABLE MUST REMAIN WITHIN DIMENSIONS		THIRD ANGLE PROJECTION	DRAWING	SERIES	
			A3-SIZE	502382	