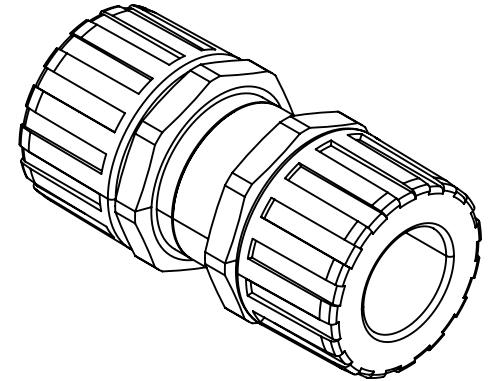
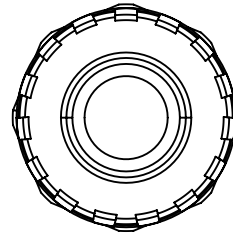
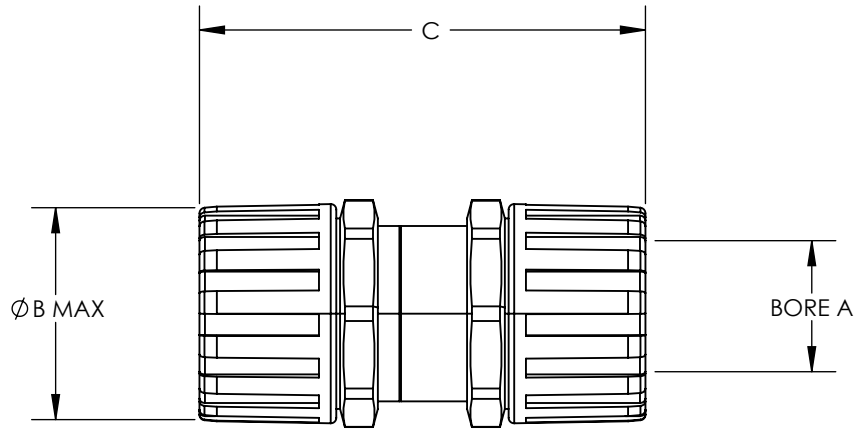


SW2014



Revision level			Revision Record	Changed	Date	Approved	Date
Drawing	State	Part					
01.1	Design Release		SEE ECN# 013933	CAS	6/29/2017	KAC	6/29/2017



Conduit Size		Euro Size	HellermannTyton Type Name	Dimension					
in.	mm	(NW)		A		B MAX		C	
			in.	mm	in.	mm	in.	mm	
3/8	16	12	0.43	11	1.14	29	2.32	59	
1/2	21	17	0.57	14.5	1.26	32	2.8	71	
3/4	28	23	0.77	19.5	1.73	44	3.19	81	
1.00	34	29	1.04	26.5	2.01	51	3.43	87	
1.25	42	36	1.28	32.5	2.48	63	3.98	101	
1.50	54	48	1.65	42	2.99	76	4.49	114	



Material  
PA66

Units:

The copyright of this drawing is reserved by HellermannTyton. It is issued on condition that it is not reproduced, copied, or disclosed to a third party, either wholly or in part, without the consent of HellermannTyton.

Drawn GRW 10/31/2016  
Approved KAC 10/31/2016

**HellermannTyton**  
North America  
Email: corp@htamericas.com  
Web: www.hellermann.tyton.com

Article/Type-No SEE CHART

Title **HELAGUARD NON-METALLIC FITTING, CONDUIT COUPLER**

Drawing-No PRODUCTION : Phase

**15-0847-001-CSU**

Scale 1:1

Project Number PRP 15-0847

Format AH

Sheet 1/1