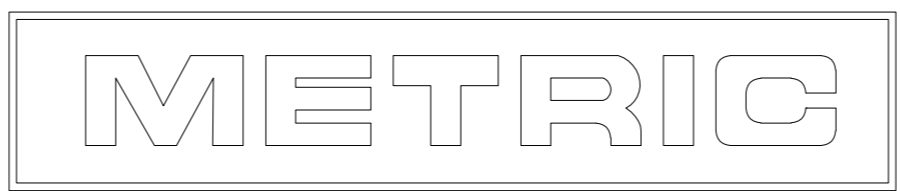
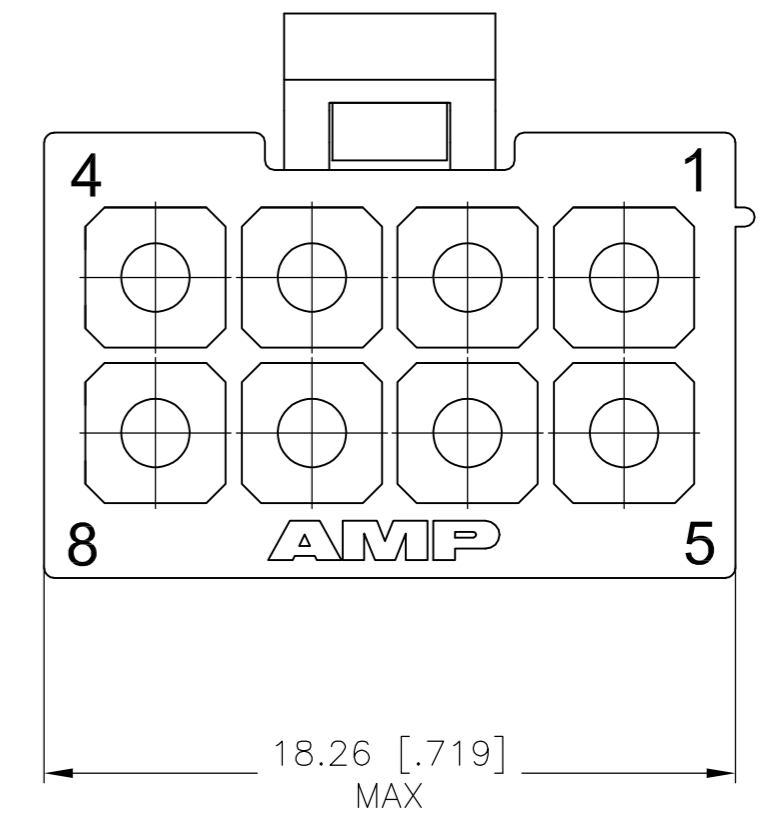
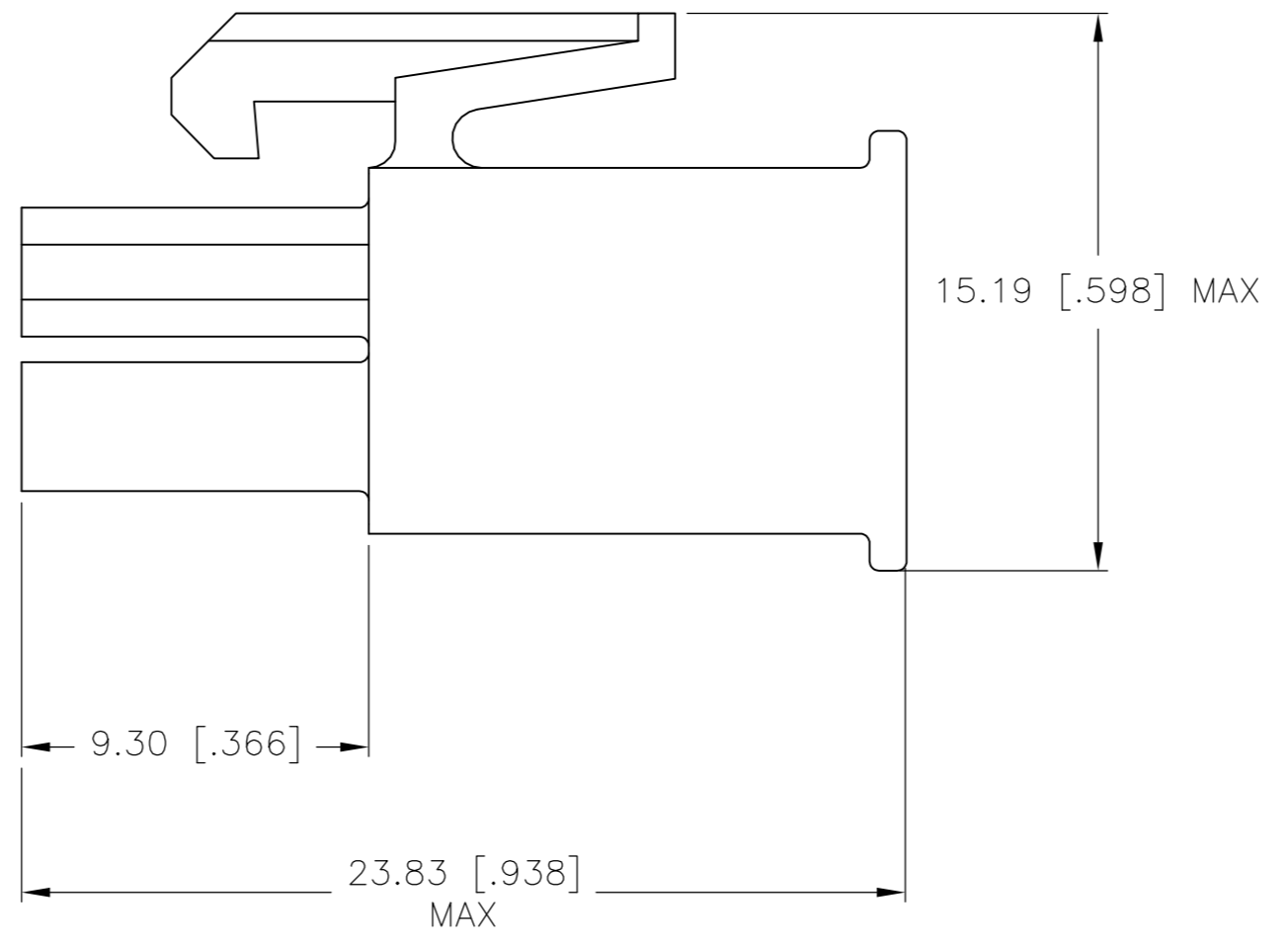
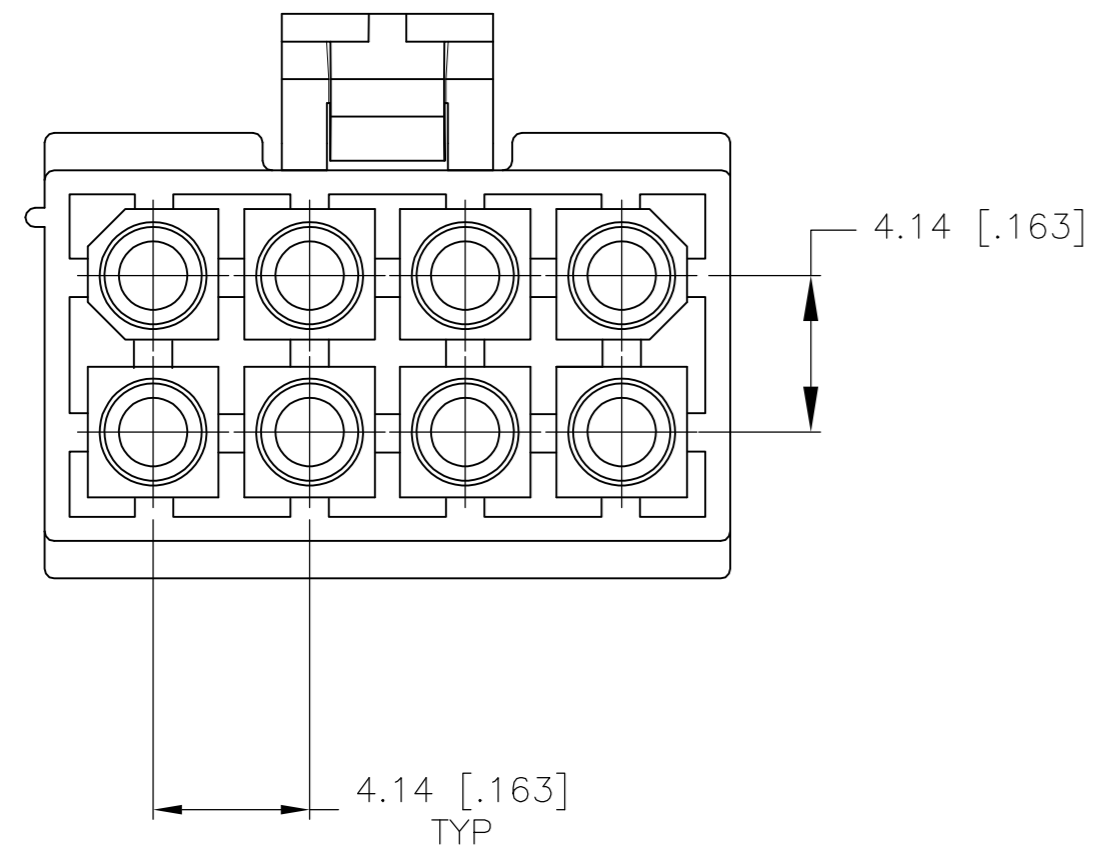


THIS DRAWING IS UNPUBLISHED. RELEASED FOR PUBLICATION  
 © COPYRIGHT By - ALL RIGHTS RESERVED.

LOC		DIST		REVISIONS			
P	LTR	DESCRIPTION		DATE	DWN	APVD	
CM	00	H1		REVISED PER ECO-11-004820	11MAR11	RK HMR	

1. INDIVIDUAL CORING FEATURES AROUND BASES OF SILOS MAY NOT BE PRESENT IN ALL LOCATIONS SHOWN.



770579-1  
PART NUMBER

THIS DRAWING IS A CONTROLLED DOCUMENT.		DWN	S. HOOVER	14-MAY-2004	 TE Connectivity
DIMENSIONS:		CHK	C. JONES	12-MAY-2004	
mm [INCHES]		APVD	C. JONES	12-MAY-2004	
TOLERANCES UNLESS OTHERWISE SPECIFIED:		PRODUCT SPEC	NAME		
0 PLC	±	APPLICATION SPEC	PLUG, <sup>TM</sup>		
1 PLC	±	WEIGHT	8 CIRCUIT, MINI UNIVERSAL MATE-N-LOK		
2 PLC	±	CUSTOMER DRAWING	SIZE	A2	
3 PLC	± 0.13 [.005]	SCALE	CAGE CODE	00779	
4 PLC	±	RESTRICTED TO	DRAWING NO	C=770579	
ANGLES	±	SCALE	SHEET	1 OF 1	
FINISH		REV		H1	
MATERIAL	NYLON, UL 94V-0				
	WHITE				