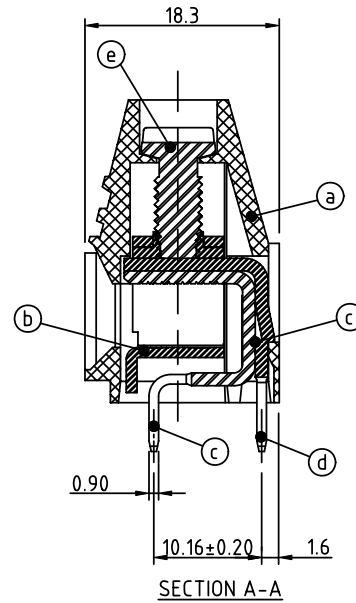
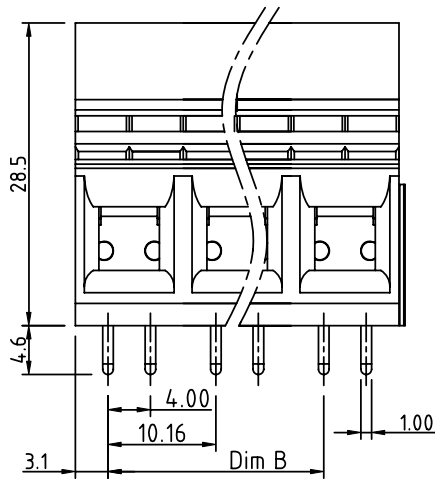
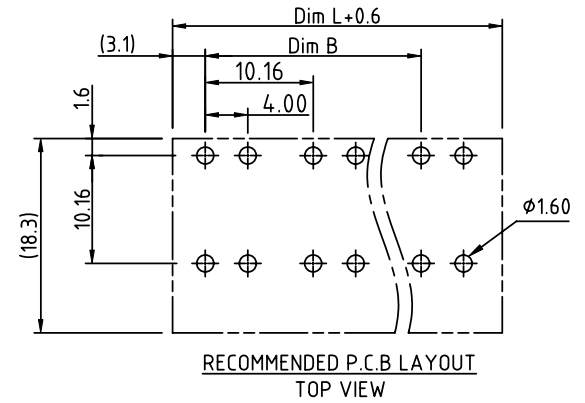
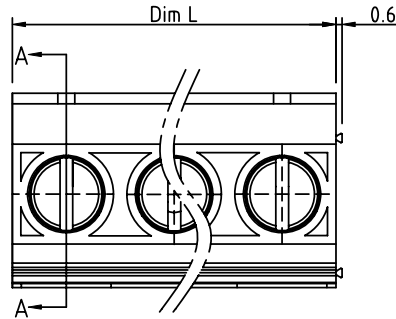


PRODUCT NUMBER	PITCH
VPxx65x800J0G	10.16 mm



Material:

- Item (a) Terminal housing: Thermoplastic (UL 94V-0)
- Item (b) Clamp: Steel stamping, Zinc plated
- Item (c) Solder pin1: Copper, Tin plated
- Item (d) Solder pin2: Copper, Tin plated
- Item (e) Terminal screw: Steel Zinc plating"-slot type

Electrical cULus IEC

- Voltage rating: 300V 250V
- Current rating: 65A 57A
- Wire range:
- Solid wire (AWG): 6-20 / 0.5-16mm²
- Stranded wire (AWG): 6-20 / 0.5-16mm²
- Torque: 19 Lb-In / 1.2 N.m
- Screw: M4.5
- Wire strip length: 10-11mm
- Withstanding voltage: 1.6KV / 4KV
- Operating temperature: -40°C+115°C
- Soldering temperature: 260°C+5°C/5 Sec
- Safety Approval: US

PART NO.: VP xx 6 5 x 8 00J0 G

N = Number of poles
Dim L=N×10.16
Dim B=(N-1)×10.16

Poles	Tolerance
2-4p	±0.20
5-8p	±0.30
9-12p	±0.40

End Stackable	No. of poles	Body Color	RoHS compliant (lead<4%) In copper Alloy
02	2 poles	Black (RAL9005)	
03	3 poles	Red (RAL3001/D)	
...	...	Orange(RAL2011/P)	
...	...	Yellow(RAL1018/A)	
12	12 poles	Green(RAL6018/T)	
		Blue (RAL5015/A)	
		8 Grey(RAL7035/D)	
		9 White(RAL1102)	
		C Green(RAL6018/U)	

mat'l. code		surface ASME Y14.5	tolerance ASME Y14.5	projection 	product family TERMINAL BLOCK
ltr	ecn no	dr	date	tolerances unless otherwise specified	title TERMINAL BLOCK
				angles $X \pm 0.5$	scale RISING CLAMP, DOUBLE PARALLEL TAIL TYPE
				$X.X \pm 0.3$	dwg no VPxx65x800J0G
				$X.XX \pm 0.1$	sheet 1 of 1 size A4
		dr	EVIN ZHONG	041414	FCI type CUSTOMER Drawing
		enr	EVIN ZHONG	041414	
		chr	HANKE FENG	041414	
		appd	SHI JUN	041414	
sheet index	revision sheet	A	1		