

1

2

3

4

5

6

7

A

B

C

D

E

F

A

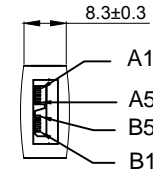
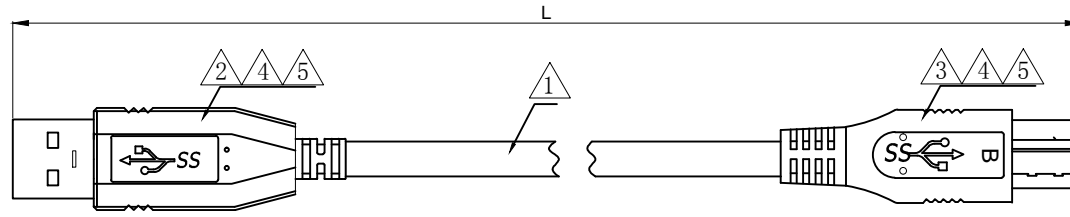
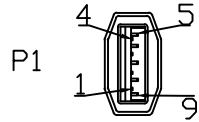
B

C

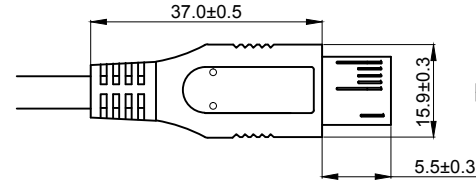
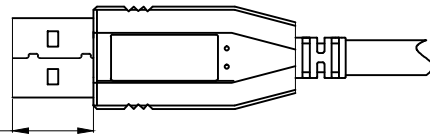
D

E

F

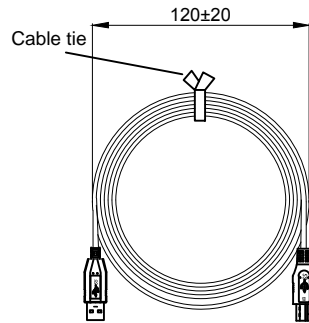


Printing: AWM STYLE 2725 80°C 30V
VW-1 SUPER HIGH SPEED USB Revision 3.0



① Pin Assignment

P1		P2
1	Red	B1
2	White	B2
3	Green	B3
4	Black	B5
5	Blue	A5
6	Yellow	A4
7	Drain	A3
8	Orange	A2
9	Purple	A1
Shell	Braid	Shell



NOTES:

1. Cable Must Be Open, Short, Miswire 100% Test
2. Voltage: 300V DC
3. Contact Resistance: 5ohms max.
4. Insulation Resistance: 10M ohms min.
5. 1Pcs/PE Bag

WSW P/N	Length(mm)	Qty/Per Carton
A-USB30AM-30MBM-050	500±20	200
A-USB30AM-30MBM-100	1000±30	150
A-USB30AM-30MBM-200	2000±50	100
A-USB30AM-30MBM-300	3000±50	70
A-USB30AM-30MBM-500	5000±50	50

NO.	TITLE	DESCRIPTION
⑤	Inner Mold	LDPE WHITE
④	Over Mold	PVC 45P Black
③	CONN	USB3.0 Micro B/M, Black, PIN G/F, Shell Ni-Plated
②	CONN	USB3.0 A/M, Blue, PBT, PIN G/F, Shell Ni-Plated
①	CABLE	UL2725(Rev 3.0), OD:5.5mm BLACK, (1P#30+D+AL+Mylar)*2C+1P#30+2C#24+AL+B

RoHS compliant
Unit: mm

Scale	FREE	Date	07.01.2019	Name	Xavier	Customer-No.	ASSMANN WSW-No. A-USB30AM-30MBM-xxx
TOLERANCE		Drawn					
		Approved	12.02.2019	Winnie			
		②	Packing quantities & PVC hardness	12.02.2019	Winnie		
DIM	TOL	①	Add wire color	07.15.2019	Xavier	Drawing-No.	ASS 8454 CA rev02
		①	Drawn	07.01.2019	Xavier		
Angle	TOL	Id.	Modification	Date	Name	Replace	Sheet 1/1



1

2

3

4

5

6

7