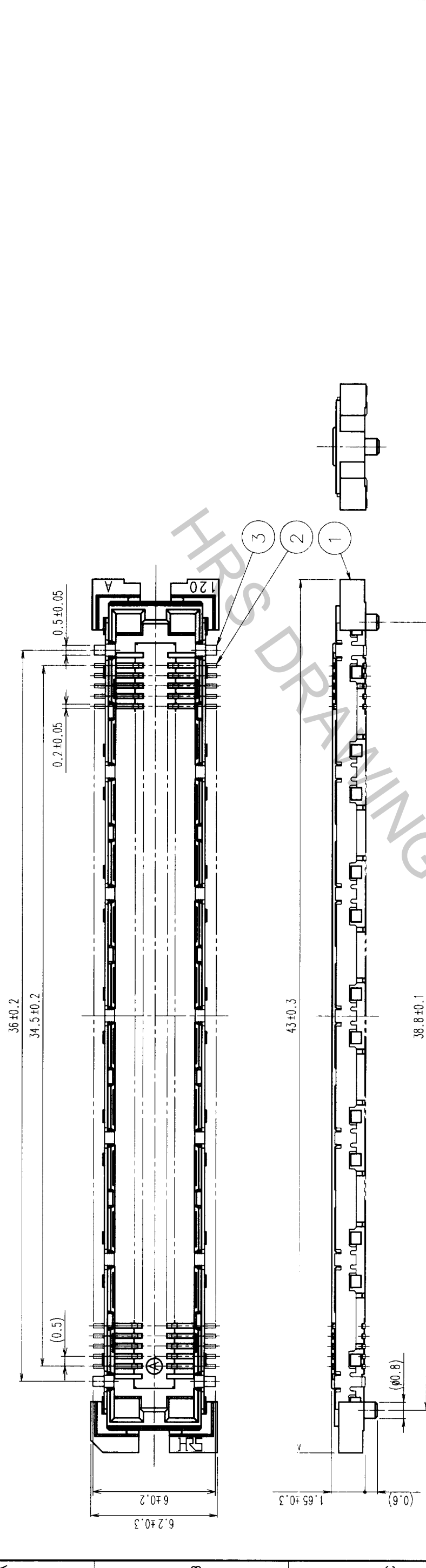
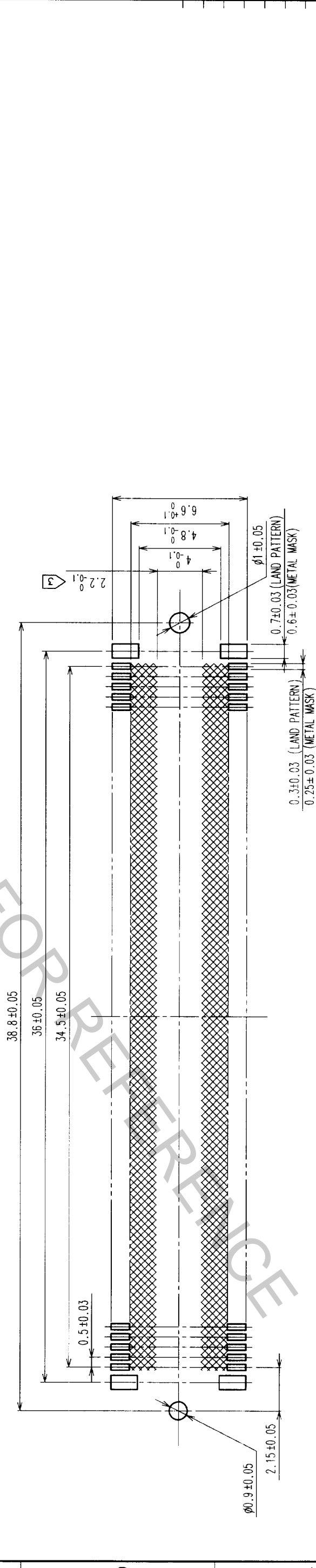


COUNT	DESCRIPTION OF REVISIONS	BY	CHKD	DATE	COUNT	DESCRIPTION OF REVISIONS	BY	CHKD	DATE



RECOMMENDED LAND PATTERN DIMENSION OF PCB



NO.	PHOSPHOR BRONZE	FINISH, REMARKS	DRAWN	DESIGNED	CHECKED	TIN PLATED	REMARKS
2	PHOSPHOR BRONZE	CONTACT AREA: GOLD (0.1μm) OVER NICKEL					
1	LCP	LEAD: GOLD FLASH OVER NICKEL					
3	PHOSPHOR BRONZE	BEIGE UL94V-0					

NO.	MATERIAL	FINISH, REMARKS	DRAWN	DESIGNED	CHECKED	TIN PLATED	REMARKS
1	LCP	BEIGE UL94V-0					
3	PHOSPHOR BRONZE	BEIGE UL94V-0					

CONTACT AREA: GOLD (0.1μm) OVER NICKEL	LEAD: GOLD FLASH OVER NICKEL	BEIGE UL94V-0	PHOSPHOR BRONZE	TIN PLATED	REMARKS
--	------------------------------	---------------	-----------------	------------	---------

CL	CL	CL	CL	CL	CL
----	----	----	----	----	----

SCALE	5 : 1	UNITS	mm
-------	-------	-------	----

DRAWING NO.	EDC3-152119-02	PART NO.	FX11LA-140S-SV (22)
CODE NO. (OLD)	CL	CODE NO.	CL573-0145-4-22

DESIGNED	APPROVED	RELEASED
99.10.27	99.10.28	99.10.28
99.10.27	99.10.28	99.10.28

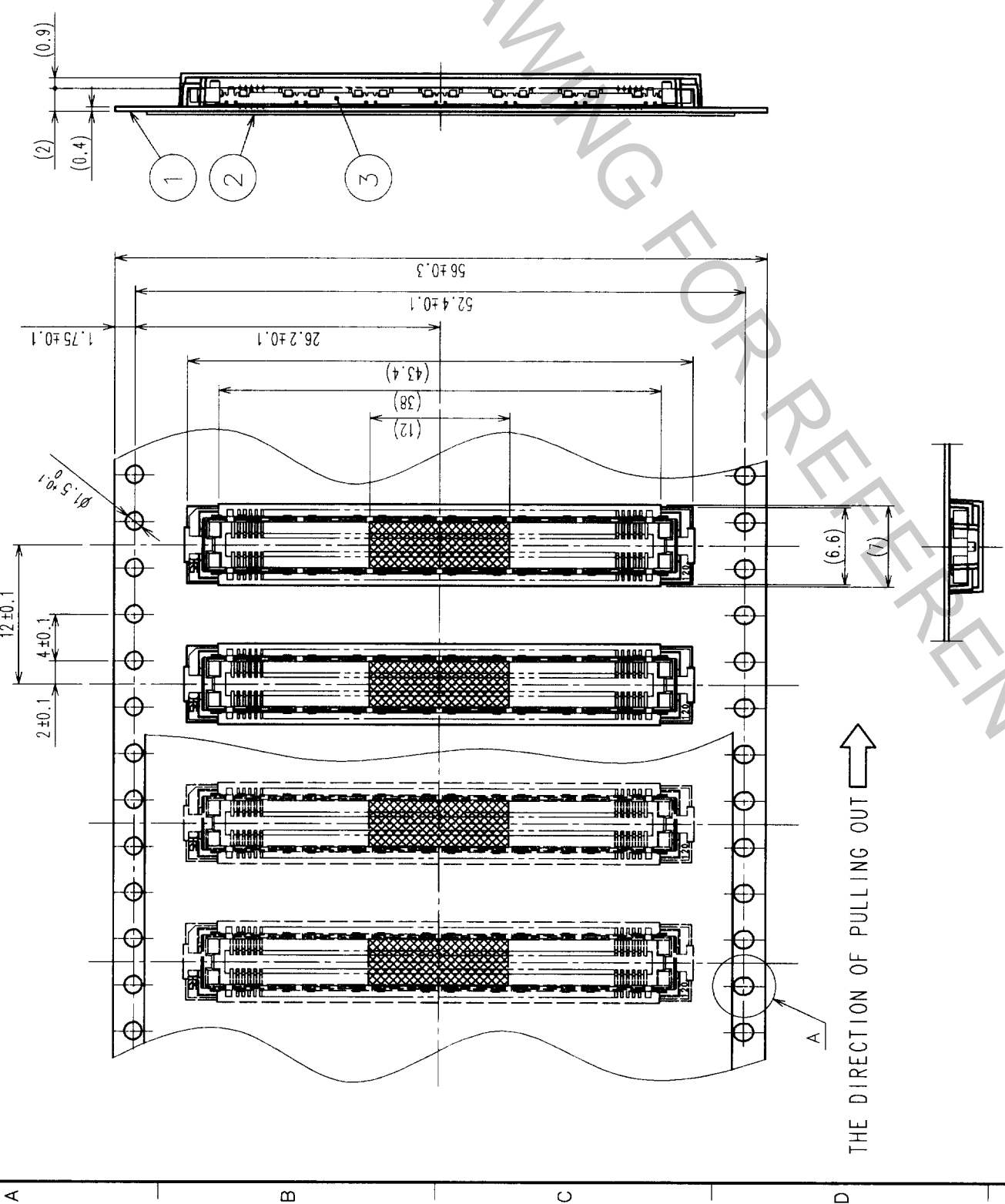
- NOTES
- SMT LEAD-COPLANARITY: 0.1 MAX.
 - THIS PRODUCT HAS NO POLARITY TO PATTERN FOR MOUNTING.
 - MAKE SURE WIDTH OF PATTERN IS WITHIN THAT OF LAND, OR LEAD MAY TOUCH PATTERN. (THIS APPLIES TO HATCHED AREA.)
 - TO BE EMBOSSED CARRIER TAPED AS SPECIFIED IN SHEET 2.

TO PCK

1 2

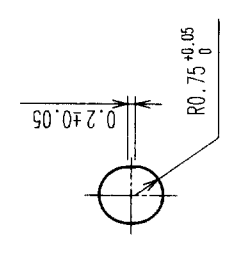
FORM NO.229

COUNT	DESCRIPTION OF REVISIONS	BY	CHKD	DATE	COUNT	DESCRIPTION OF REVISIONS	BY	CHKD	DATE
1									
2									
3									
4									
5									
6									
7									
8									



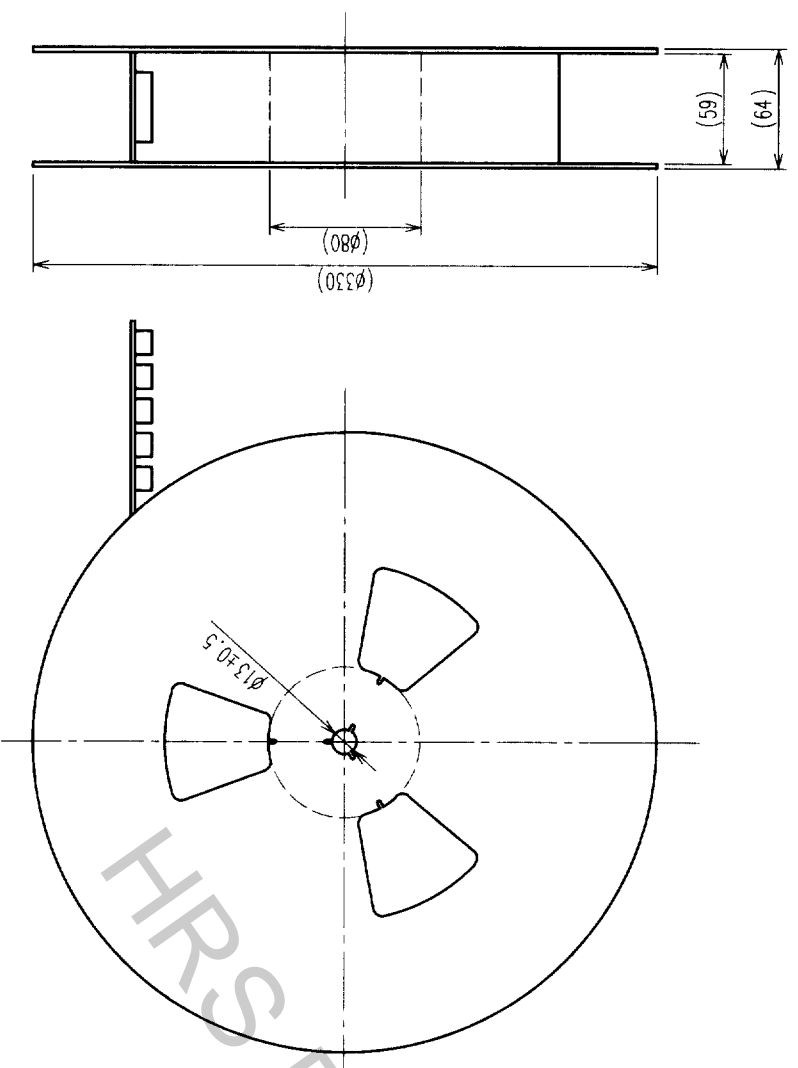
THE DIRECTION OF PULLING OUT

A (5:1)



DETAIL FOR TAPE PICKUP (5:1)

REELED DIMENSION (Free)



- NOTES 1 1 REEL:1000 CONNECTORS.
- 2 MINIMUM 10 COMPARTMENTS FROM BOTH REEL ENDS REMAIN EMPTY.
- 3 THIS PRODUCT HAS NO POLARITY TO TAPE AND REEL PACKAGING.

2	PET	TOP COVER TAPE	4	POLYIMIDE	(TAP FOR VACUUM PICKUP)
1	PS	EMBOSSED CARRIER TAPE	3	(CONNECTOR)	
NO.	MATERIAL	FINISH, REMARKS	NO.	MATERIAL	FINISH, REMARKS
CODE NO. (OLD) CL		DRAWN <i>Mitsuboshi M. Sakabe</i> 19.10.07		DESIGNED <i>Mitsuboshi M. Sakabe</i> 19.10.07	CHECKED <i>J. Yoshimura</i> 19.10.28
DRAWING FOR PACKING		PART NO. FX11LA-140S-SV(22)		APPROVED <i>J. Yoshimura</i> 19.10.28	RELEASED
SCALE 2 : 1		DRAWING NO. EDC3-152119-02		CODE NO. CL573-0145-4-22	
UNITS mm		HIROSE ELECTRIC CO., LTD.		2	

TO	
PCK	