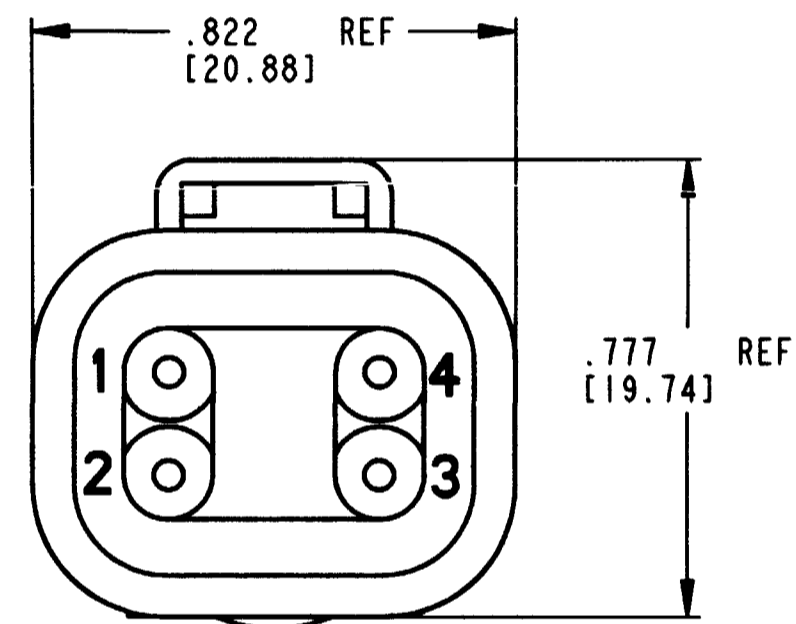
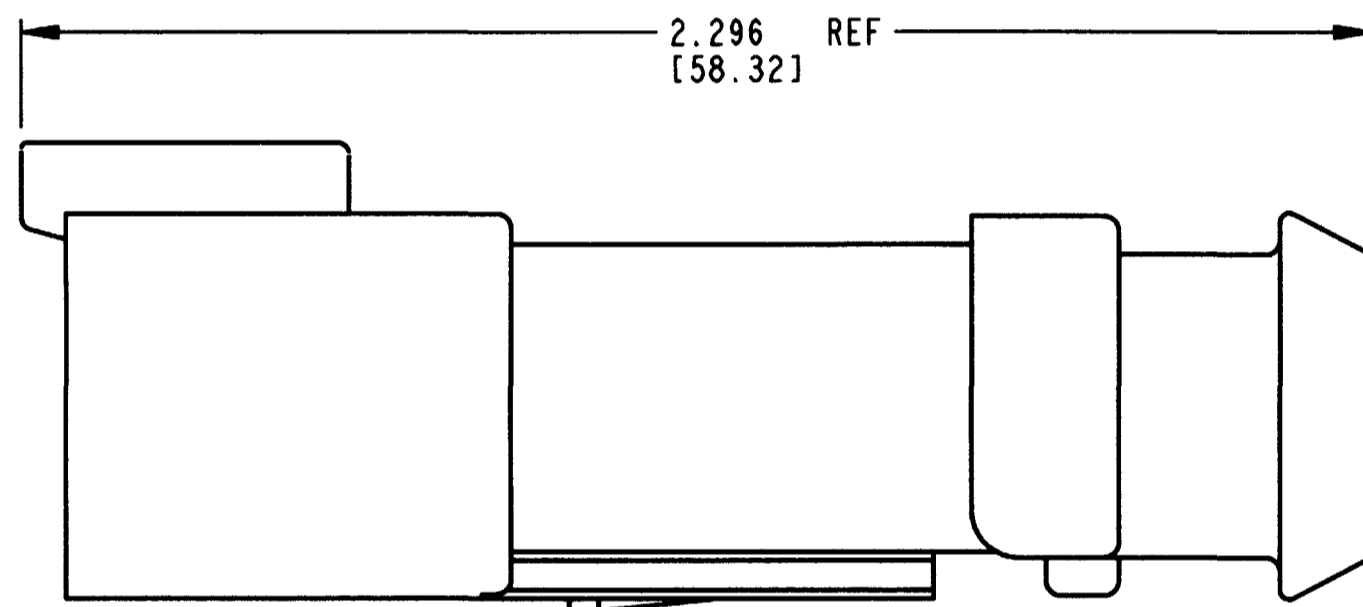


REV
NC DT04-4P-E008

REVISIONS			
SYM	DESCRIPTION	DATE	APPROVED
NC	NEW RELEASE PER E.O. A14881	8-18-95	ADR



NOTES:
1. ALL DIMENSIONS ARE FOR REFERENCE ONLY.
2. ALL DIMENSIONS ARE INCHES (METRIC).

SIGNATURE & DATE		4 WAY RECEPTACLE -E008 MOD. DT SERIES	CP	MATL. CODE
DR	C. WOODRUFF 04AUG95		The Deutch Company DEUTSCH I.P.D. 37140 INDUSTRIAL AVE. HEMET, CALIF. 92545	
CHK	<i>[Signature]</i>		B DT04-4P-E008	
PE	8/18/95			
APPD	R. K. [Signature] 8-18-95		DWG SIZE	CODE 11139
SCALE	NONE	WT	ENVELOPE	