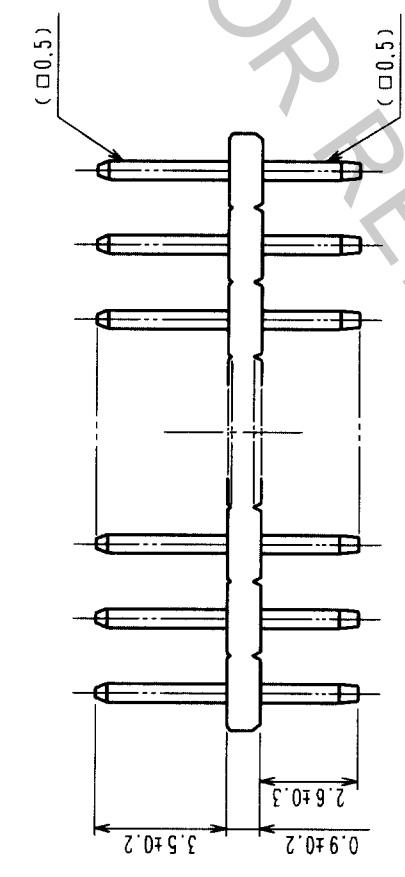
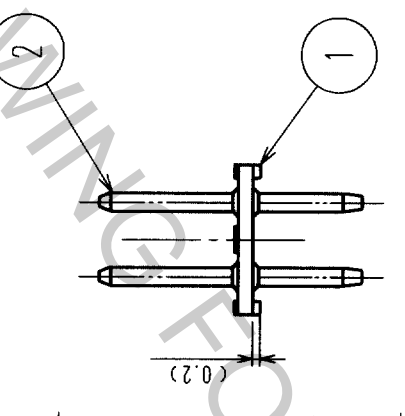
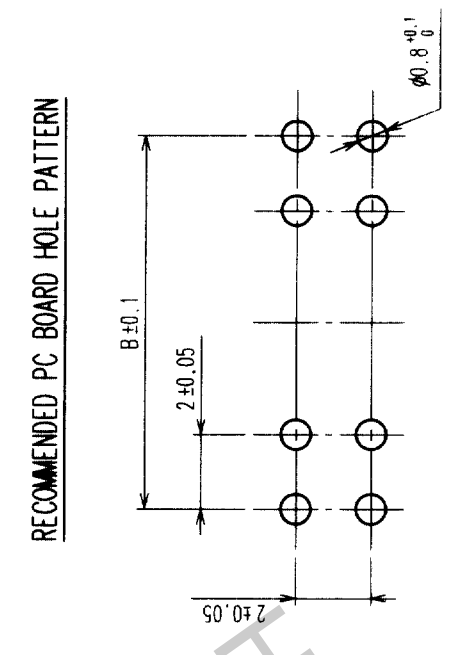


RECOMMENDED PC BOARD HOLE PATTERN



PART No.	CODE No.	1	A	B
A3C- 2P-2DSA	621-0601-0	2	2	-
A3C- 4P-2DSA	621-0602-3	4	4	2
A3C- 6P-2DSA	621-0603-6	6	6	4
A3C- 8P-2DSA	621-0604-9	8	8	6
A3C-10P-2DSA	621-0605-1	10	10	8
A3C-12P-2DSA	621-0606-4	12	12	10
A3C-14P-2DSA	621-0607-7	14	14	12
A3C-16P-2DSA	621-0608-0	16	16	14
A3C-18P-2DSA	621-0609-2	18	18	16
A3C-20P-2DSA	621-0610-1	20	20	18
A3C-22P-2DSA	621-0611-4	22	22	20
A3C-24P-2DSA	621-0612-7	24	24	22
A3C-26P-2DSA	621-0613-0	26	26	24
A3C-28P-2DSA	621-0614-2	28	28	26
A3C-32P-2DSA	621-0615-5	32	32	30
A3C-44P-2DSA	621-0622-0	44	44	42
A3C-48P-2DSA	621-0625-9	48	48	46
A3C-50P-2DSA	621-0628-7	50	50	48

COUNT	DESCRIPTION OF REVISIONS	BY	CHKD	DATE	COUNT	DESCRIPTION OF REVISIONS	BY	CHKD	DATE

TO	
PCK	

1	POLYAMIDE	BLACK	UL94V-0	2	BRASS	CONTACT AREA : GOLD 0.2μ m DIP AREA : GOLD FLASH UNDER PLATING : NICKEL 2μ m
NO.	MATERIAL	FINISH, REMARKS	NO.	MATERIAL	FINISH, REMARKS	
CODE NO. (OLD)	CL					
DRAWN	S. SUZUKI	DESIGNED	H. Nakamura	CHECKED		APPROVED
DATE	03.12.10					RELEASED
DRAWING NO.	EDC3-082570	PART NO.				
SCALE	FREE					
UNITS	mm					
HRS		HIROSE ELECTRIC CO., LTD		A3C-2P-2DSA		CL621
				CODE NO.		

NOTE 1 > NUMBER OF CONTACTS.
2 THE DIMENSIONS IN PARENTHESES ARE FOR REFERENCE.