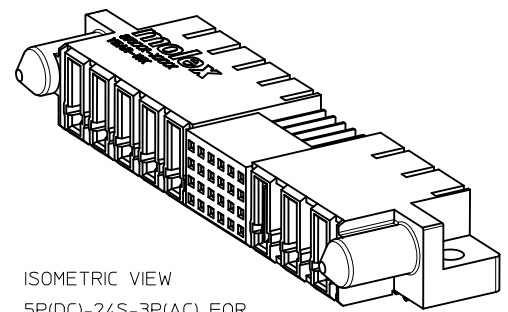
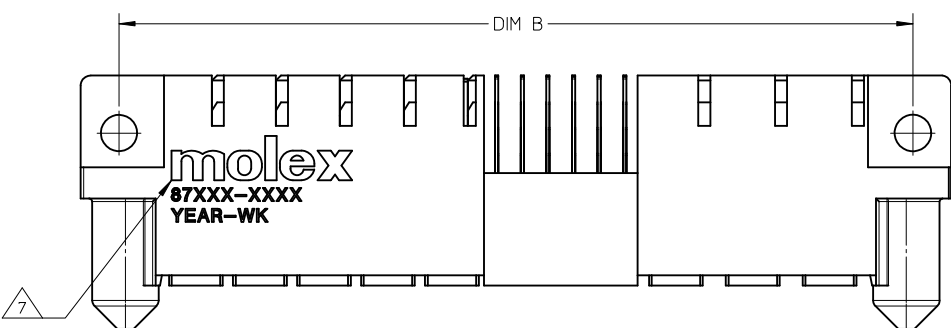
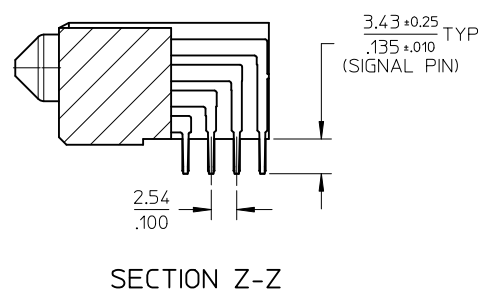
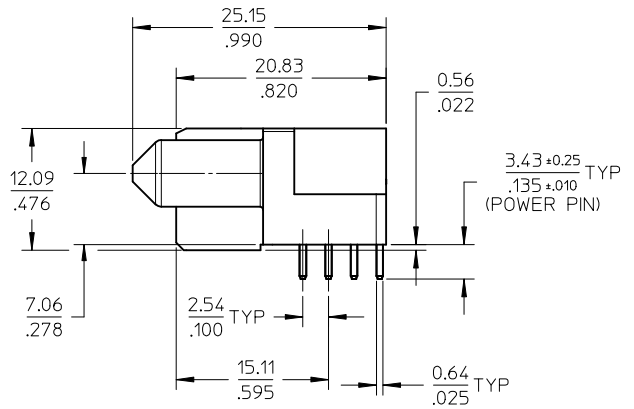
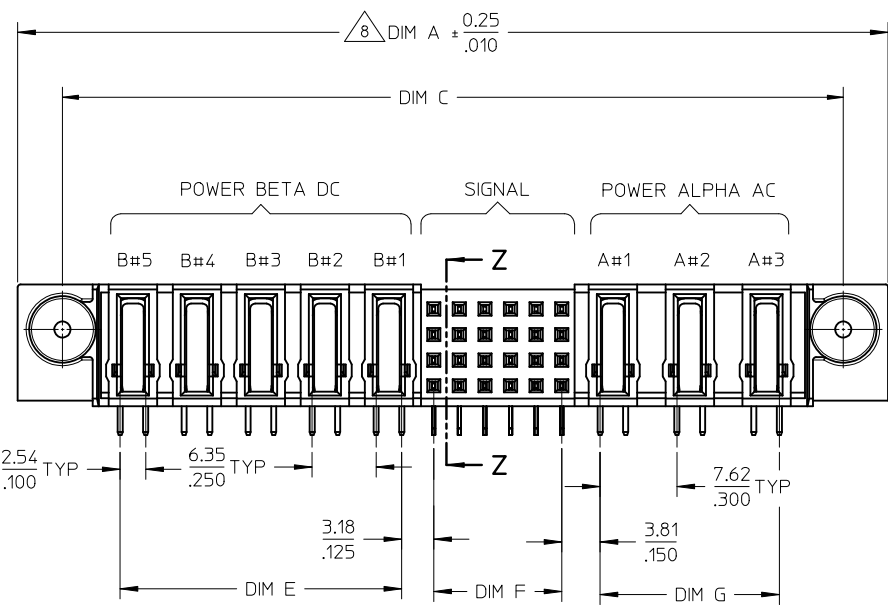


10 9 8 7 6 5 4 3 2 1



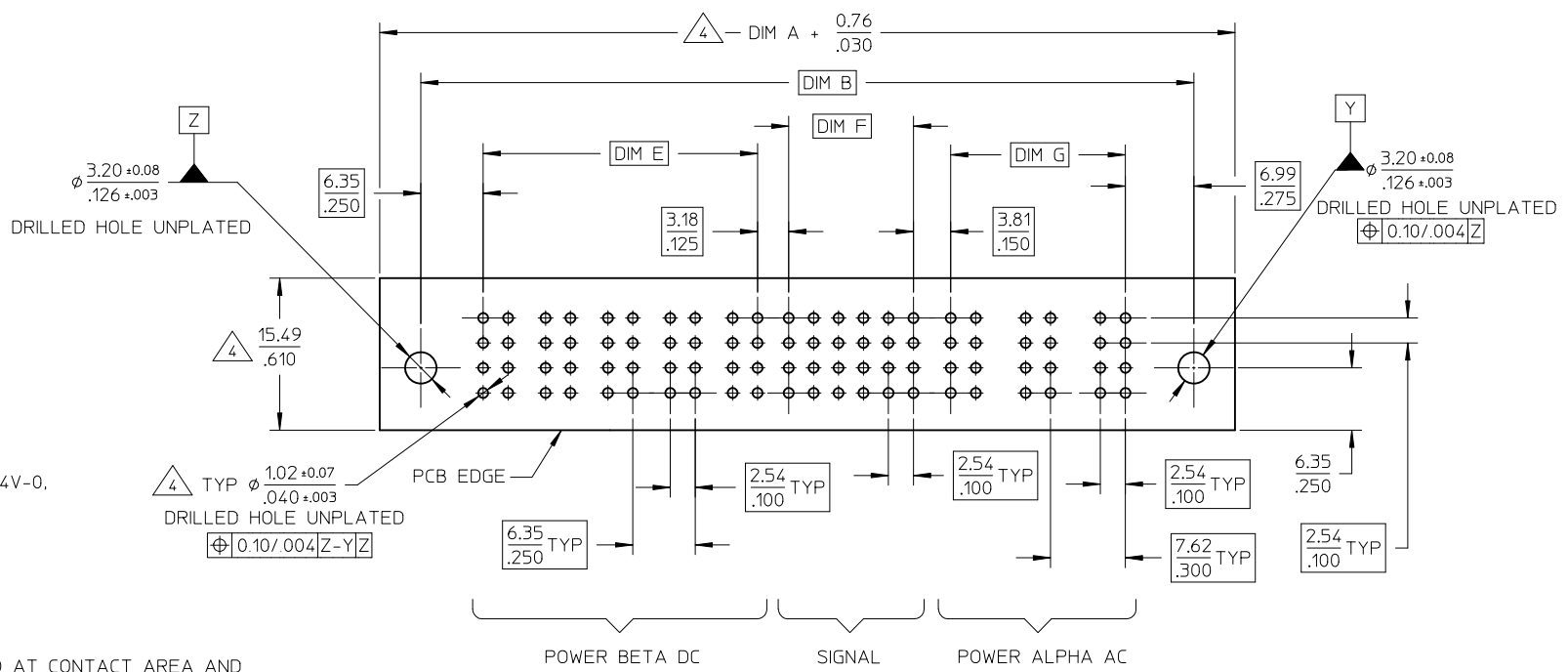
ISOMETRIC VIEW
5P(DC)-24S-3P(AC) FOR
ILLUSTRATION ONLY



UPDATE VIEWS EC NO: S2011-0093 DRWN:SKANG 2010/08/06 CHKD:ATSEE 2010/09/14 APPR:MLONG 2010/09/24	QUALITY SYMBOLS ▽=0 ◻=0	GENERAL TOLERANCES (UNLESS SPECIFIED)	DIMENSION STYLE MM/IN	SCALE NTS	DESIGN UNITS METRIC	THIRD ANGLE PROJECTION																										
		<table border="1"> <thead> <tr> <th></th> <th>mm</th> <th>INCH</th> </tr> </thead> <tbody> <tr> <td>4 PLACES</td> <td>± ---</td> <td>± ---</td> </tr> <tr> <td>3 PLACES</td> <td>± ---</td> <td>± .005</td> </tr> <tr> <td>2 PLACES</td> <td>± 0.13</td> <td>± .010</td> </tr> <tr> <td>1 PLACE</td> <td>± 0.25</td> <td>± ---</td> </tr> </tbody> </table>		mm	INCH	4 PLACES	± ---	± ---	3 PLACES	± ---	± .005	2 PLACES	± 0.13	± .010	1 PLACE	± 0.25	± ---	<table border="1"> <thead> <tr> <th>DRAWN BY</th> <th>DATE</th> <th>TITLE</th> </tr> </thead> <tbody> <tr> <td>NRVITAP</td> <td>2004/06/15</td> <td rowspan="4"> EXTREME POWERPLUS RECEPT P(A)AC-S-P(B)DC CONFIG. R/A, T/H, S/M </td> </tr> <tr> <td>CHECKED BY</td> <td>DATE</td> </tr> <tr> <td>PTL IM</td> <td>2004/06/25</td> </tr> <tr> <td>APPROVED BY</td> <td>DATE</td> </tr> </tbody> </table>	DRAWN BY	DATE	TITLE	NRVITAP	2004/06/15	EXTREME POWERPLUS RECEPT P(A)AC-S-P(B)DC CONFIG. R/A, T/H, S/M	CHECKED BY	DATE	PTL IM	2004/06/25	APPROVED BY	DATE	MOLEX INCORPORATED	
		mm	INCH																													
	4 PLACES	± ---	± ---																													
3 PLACES	± ---	± .005																														
2 PLACES	± 0.13	± .010																														
1 PLACE	± 0.25	± ---																														
DRAWN BY	DATE	TITLE																														
NRVITAP	2004/06/15	EXTREME POWERPLUS RECEPT P(A)AC-S-P(B)DC CONFIG. R/A, T/H, S/M																														
CHECKED BY	DATE																															
PTL IM	2004/06/25																															
APPROVED BY	DATE																															
		DRAFT WHERE APPLICABLE MUST REMAIN WITHIN DIMENSIONS	MATERIAL NO. SEE TABLE	DOCUMENT NO. SD-87664-021	SHEET NO. 1 OF 2																											
			SIZE A3	THIS DRAWING CONTAINS INFORMATION THAT IS PROPRIETARY TO MOLEX INCORPORATED AND SHOULD NOT BE USED WITHOUT WRITTEN PERMISSION																												

9 8 7 6 5 4 3 2 1

	10	9	8	7	6	5	4	3	2	1			
	P-S-P CONFIGURATION												
	PART NUMBER	POWER BETA DC	SIGNAL	POWER ALPHA AC	DIM A	DIM B	DIM C	DIM D	DIM E	DIM F	DIM G	RECESSED POWER PIN LOCATION	PACKAGING
F	87664-2004	4	24	3	$\frac{80.01}{3.150}$	$\frac{72.39}{2.850}$	$\frac{71.12}{2.800}$	$\frac{56.52}{2.225}$	$\frac{21.59}{0.850}$	$\frac{12.70}{.500}$	$\frac{17.78}{.700}$	A 2, 3 B -----	TRAY



NOTES:

- MATERIALS:-
HOUSING - LCP, GLASS FILLED, UL94V-0, COLOUR: BLACK.
SIGNAL TERMINAL - COPPER ALLOY
POWER TERMINAL - COPPER ALLOY
- FINISH :-
SIGNAL & POWER CONTACTS
0.76 MICROMETER MINIMUM GOLD (Au) AT CONTACT AREA AND
2.54 MICROMETER MINIMUM TIN AT SOLDERTAIL AREA
OVER 1.27 MICROMETER MINIMUM NICKEL (Ni) UNDERPLATE.
- PRODUCT SPECIFICATION : PS-87663-006.
- COMPONENT STAY AWAY FROM CONNECTOR.
- PCB NOTE FOR DIAMETER 1.02/.040 PLATED HOLE.
- DRILLED HOLE SIZE IS 1.15/ .0453.
- PLATE WITH 0.007 / .0003 MINIMUM TIN OVER 0.03/.001 TO 0.08/.003 COPPER PLATING TO ACHIEVE 1.02+0.07/.040+.003 HOLE.
- ALL TERMINAL TIPS ARE DESIGNED WITH EXPOSE BASE COPPER. THIS IS CREATED BY FINAL CUTTING PROCESS AFTER PLATING.
MANUFACTURING LOGO, PART NUMBER AND YEAR-WEEK CODE.
5P(DC)-24S-3P(AC) IS SHOWN FOR ILLUSTRATION.
CONNECTOR CONFIGURATION IS AVAILABLE UP TO 203MM/8INCH.
PLEASE CONTACT MOLEX SALES PERSONNEL FOR OTHER CONFIGURATION AND OPTION NEEDED.

RECOMMENDED PCB LAYOUT

UPDATE VIEWS EC NO: S2011-0093 DRWN:SKANG 2010/08/06 CHKD:ATSEE 2010/09/14 APPR:MLONG 2010/09/24 C2	QUALITY SYMBOLS = 0 = 0	GENERAL TOLERANCES (UNLESS SPECIFIED)		DIMENSION STYLE MM/IN		SCALE NTS	DESIGN UNITS METRIC	THIRD ANGLE PROJECTION		
		4 PLACES ± --- ± ---	mm	INCH	DRAWN BY	DATE	TITLE EXTREME POWERPLUS RECEPT P(A)AC-S-P(B)DC CONFIG. R/A, T/H, S/M			
		3 PLACES ± --- ± .005			CHECKED BY	DATE	MOLEX INCORPORATED			
		2 PLACES ± 0.13 ± .010			APPROVED BY	DATE	MATERIAL NO. SEE TABLE		DOCUMENT NO. SD-87664-021	
1 PLACE ± 0.25 ± --- ANGULAR ± 3 °		DRAFT WHERE APPLICABLE MUST REMAIN WITHIN DIMENSIONS		SIZE A3		THIS DRAWING CONTAINS INFORMATION THAT IS PROPRIETARY TO MOLEX INCORPORATED AND SHOULD NOT BE USED WITHOUT WRITTEN PERMISSION				